

PHILIPS

Data handbook



Electronic
components
and materials

Components and materials

Book C13

1986

Fixed resistors

FIXED RESISTORS

	<i>page</i>
General	
Introduction	3
Selection guide	16
Device data	
Carbon film resistors, CR	19
Standard film resistors, SFR	29
Fusible resistors, NFR	51
Metal film resistors, MR, MRS, MPR	57
High voltage resistors, VR	105
Power film resistors, PR	121
Wirewound resistors, AC, ACL, WR, EH	139
Resistor chip, RC	171
Index of catalogue numbers	183

DATA HANDBOOK SYSTEM

Our Data Handbook System comprises more than 60 books with specifications on electronic components, subassemblies and materials. It is made up of four series of handbooks:

ELECTRON TUBES	BLUE
SEMICONDUCTORS	RED
INTEGRATED CIRCUITS	PURPLE
COMPONENTS AND MATERIALS	GREEN

The contents of each series are listed on pages iv to viii.

The data handbooks contain all pertinent data available at the time of publication, and each is revised and reissued periodically.

When ratings or specifications differ from those published in the preceding edition they are indicated with arrows in the page margin. Where application information is given it is advisory and does not form part of the product specification.

Condensed data on the preferred products of Philips Electronic Components and Materials Division is given in our Preferred Type Range catalogue (issued annually).

Information on current Data Handbooks and on how to obtain a subscription for future issues is available from any of the Organizations listed on the back cover.

Product specialists are at your service and enquiries will be answered promptly.

ELECTRON TUBES (BLUE SERIES)

The blue series of data handbooks comprises:

- T1 Tubes for r.f. heating**
- T2a Transmitting tubes for communications, glass types**
- T2b Transmitting tubes for communications, ceramic types**
- T3 Klystrons**
- T4 Magnetrons for microwave heating**
- T5 Cathode-ray tubes**
Instrument tubes, monitor and display tubes, C.R. tubes for special applications
- T6 Geiger-Müller tubes**
- T8 Colour display systems**
Colour TV picture tubes, colour data graphic display tube assemblies, deflection units
- T9 Photo and electron multipliers**
- T10 Plumbicon camera tubes and accessories**
- T11 Microwave semiconductors and components**
- T12 Vidicon and Newvicon camera tubes**
- T13 Image intensifiers and infrared detectors**
- T15 Dry reed switches**
- T16 Monochrome tubes and deflection units**
Black and white TV picture tubes, monochrome data graphic display tubes, deflection units

SEMICONDUCTORS (RED SERIES)

The red series of data handbooks comprises:

- S1 Diodes**
Small-signal silicon diodes, voltage regulator diodes (< 1,5 W), voltage reference diodes, tuner diodes, rectifier diodes
- S2a Power diodes**
- S2b Thyristors and triacs**
- S3 Small-signal transistors**
- S4a Low-frequency power transistors and hybrid modules**
- S4b High-voltage and switching power transistors**
- S5 Field-effect transistors**
- S6 R.F. power transistors and modules**
- S7 Surface mounted semiconductors**
- S8 Devices for optoelectronics**
Photosensitive diodes and transistors, light-emitting diodes, displays, photocouplers, infrared sensitive devices, photoconductive devices.
- S9 Power MOS transistors**
- S10 Wideband transistors and wideband hybrid IC modules**
- S11 Microwave transistors**
- S12 Surface acoustic wave devices**
- S13 Semiconductor sensors**

INTEGRATED CIRCUITS (PURPLE SERIES)

The purple series of data handbooks comprises:

EXISTING SERIES

Superseded by:

IC1	Bipolar ICs for radio and audio equipment	IC01N
IC2	Bipolar ICs for video equipment	IC02Na and IC02Nb
IC3	ICs for digital systems in radio, audio and video equipment	IC01N, IC02Na and IC02Nb
IC4	Digital integrated circuits CMOS HE4000B family	
IC5	Digital integrated circuits – ECL ECL10 000 (GX family), ECL100 000 (HX family), dedicated designs	IC08N
IC6	Professional analogue integrated circuits	
IC7	Signetics bipolar memories	
IC8	Signetics analogue circuits	IC11N
IC9	Signetics TTL logic	IC09N and IC15N
IC10	Signetics Integrated Fuse Logic (IFL)	IC13N
IC11	Microprocessors, microcomputers and peripheral circuitry	IC14N

NEW SERIES

IC01N	Radio, audio and associated systems Bipolar, MOS	(published 1985)
IC02Na	Video and associated systems Bipolar, MOS Types MAB8031AH to TDA1524A	(published 1985)
IC02Nb	Video and associated systems Bipolar, MOS Types TDA2501 to TEA1002	(published 1985)
IC03N	Integrated circuits for telephony	(published 1985)
IC04N	HE4000B logic family CMOS	
IC05N	HE4000B logic family – uncased ICs CMOS	(published 1984)
IC06N*	High-speed CMOS; PC74HC/HCT/HCU Logic family	(published 1986)
IC07N	High-speed CMOS; PC54/74HC/HCT/HCU – uncased ICs Logic family	
IC08N	ECL 10K and 100K logic families	(published 1984)
IC09N	TTL logic series	(published 1984)
IC10N	Memories MOS, TTL, ECL	
IC11N	Linear LSI	(published 1985)
IC12N	Semi-custom gate arrays & cell libraries ISL, ECL, CMOS	
IC13N	Semi-custom Integrated Fuse Logic	(published 1985)
IC14N	Microprocessors, microcontrollers & peripherals Bipolar, MOS	(published 1985)
IC15N	FAST TTL logic series	(published 1984)

Note

Books available in the new series are shown with their date of publication.

* Supersedes the IC06N edition and the Supplement to IC06N issued Autumn 1985.

COMPONENTS AND MATERIALS (GREEN SERIES)

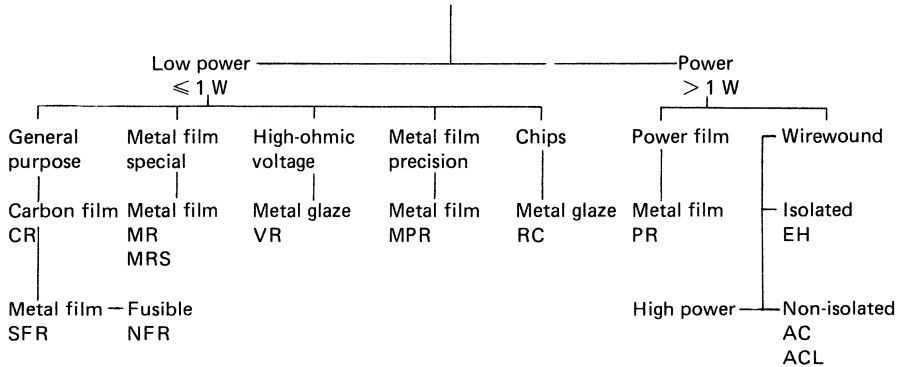
The green series of data handbooks comprises:

- C1 Programmable controller modules**
PLC modules, PC20 modules
- C2 Television tuners, coaxial aerial input assemblies, surface acoustic wave filters**
- C3 Loudspeakers**
- C4 Ferroxcube potcores, square cores and cross cores**
- C5 Ferroxcube for power, audio/video and accelerators**
- C6 Synchronous motors and gearboxes**
- C7 Variable capacitors**
- C8 Variable mains transformers**
- C9 Piezoelectric quartz devices**
- C10 Connectors**
- C11 Varistors, thermistors and sensors**
- C12 Potentiometers, encoders and switches**
- C13 Fixed resistors**
- C14 Electrolytic and solid capacitors**
- C15 Ceramic capacitors**
- C16 Permanent magnet materials**
- C17 Stepping motors and associated electronics**
- C18 Direct current motors**
- C19 Piezoelectric ceramics**
- C20 Wire-wound components for TVs and monitors**
- C21* Assemblies for industrial use**
HNIL FZ/30 series, NORbits 60-, 61-, 90-series, input devices
- C22 Film capacitors**

* To be issued shortly.

GENERAL

RESISTOR PROGRAMME



For easy reference, type numbers (such as MRS16T) are at the top of each page. Orders should, however, always state the 12-figure catalogue number.

The resistor programme is divided into two parts: low power resistors ($\leq 1\text{ W}$) and power resistors ($> 1\text{ W}$). The index of catalogue numbers is at the back of this book and lists the relevant page numbers.

All dimensions on drawings are in mm unless otherwise indicated. According to the S.I. units the symbol K (Kelvin) is used instead of $^{\circ}\text{C}$ in combinations such as K/W. Also ΔT is in K. Atmospheric pressure is given in kPa instead of millibars, mm Hg, etc. $1000\text{ mbar} = 100\text{ kPa}$.

Some devices are labelled "**Maintenance Type**". The relevant resistors are available for equipment maintenance only and are no longer recommended for equipment production.

SEE ALSO SELECTION GUIDE ON PAGE 16
AND INDEX ON PAGE 183

INTRODUCTION

The data are presented - whenever possible - according to a "format", in which the following items are stated:

Title

QUICK REFERENCE DATA

APPLICATION

DESCRIPTION

MECHANICAL DATA

Mass

Mounting

Marking

ELECTRICAL DATA

PULSE LOAD BEHAVIOUR

COMPOSITION OF THE TYPE NUMBER

TESTS AND REQUIREMENTS

STANDARD PACKAGING

DESCRIPTION

Almost all types have a cylindrical ceramic body, either rod or tube. The resistive element is either a carbon film, a metal film or a wound wire element. The film types have been trimmed to the required ohmic resistance by cutting a helical groove in the resistive layer. This process is completely computer controlled and yields a high reliability. The terminations are usually iron end caps to which tinned connecting wires of electrolytic copper are welded. Some of the high power wirewound resistors are provided with solder tags or bolts.

All resistor bodies are coated with a coloured lacquer or enamel for protection. Dependent on the types this lacquer provides electrical, mechanical and/or climatic protection — also against soldering flux and cleaning solvents, according to MIL-STD-202E, method 215 and IEC 68-2-45.

MECHANICAL DATA

A dimensional sketch and, if applicable, a table of dimensions are given. The lead length of axial types is usually not stated if the resistors are only available on tape.

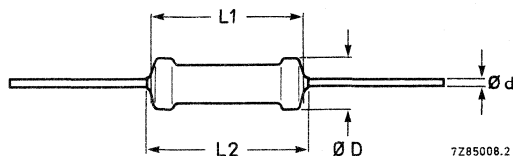


Fig. 1.

The sketch does include, however, length (L), and diameter of the body (D) and the lead diameter (d). For certain types, the length is stated as L_1 and L_2 ; L_1 is the body length, L_2 is the body length plus lacquer on the leads. In other cases the maximum area on the leads which may be covered by lacquer is stated (a_1 and a_2 ; usually $a_1 + a_2 \leq 1$ mm). By specifying L_1/L_2 or L and a_1/a_2 the dimensional "clean lead to clean lead" properties can be determined.

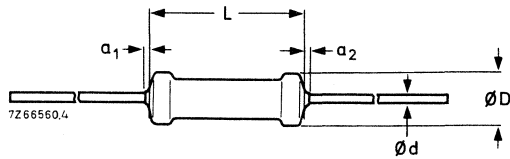


Fig. 2.

The length of the cylindrical body (L or L_1) is measured by inserting the leads into the holes of two identical gauge plates and moving these plates parallel to each other until the resistor body is clamped without deformation (IEC publication 194).

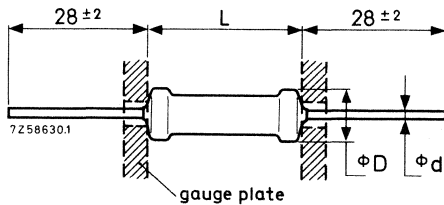


Fig. 3.

The relationship between the diameter of the leads and the diameter of the holes in gauge plate is as follows:

d	hole diameter
0,5	0,8
0,6	1,0
0,7	1,0
0,8	1,2

This method, of course, does not apply to rectangular resistors, "stand-up" types and wirewound resistors with side terminations.

- Some resistors (SFR25, VR25A) are available as "stand-up" types. The bent lead is partially covered with insulating lacquer with a breakdown voltage of at least 50 V (d.c.)

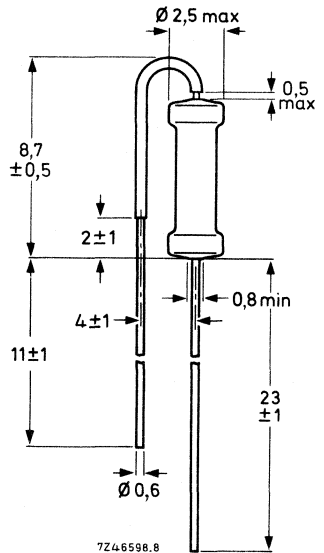


Fig. 4.

Mass

The mass (weight) is given per 100 resistors.

Mounting

Most types with straight axial leads, as well as most resistors in the "stand-up" version (radial leads), are suitable for processing on automatic insertion equipment and cutting and bending machines. Chip resistors are suitable for handling by automatic chip placement systems.

Marking

The resistors are either colour coded or provided with an identification stamp. The colour code consists of a number of coloured bands according to IEC publication 62: "Colour code for fixed resistors". See also IEC 115-1 clause 4.5. The coloured bands indicate the *nominal resistance*, the *tolerance* on the resistance and, if applicable, the *temperature coefficient*. A maximum of bands may be used, but in some instances there are fewer, e.g. if the products are too small. The *resistance code* consists of either 3 or 4 bands and is followed by a band representing the *tolerance*. The temperature coefficient is to the right of the tolerance band and usually positioned on the cap (MR types), as a wide band. When in total 5 or 6 bands are used, the last band will always be the wider one.

The *resistance code* includes the first two or three *significant figures* of the resistance value (in ohms), followed by a *multiplier*. This is a factor by which the significant-figure value must be multiplied to find the relevant resistance value. Whether two or three significant figures are represented depends on the tolerance: $\pm 2\%$ and higher requires two bands; $\pm 1\%$ and lower requires three bands.

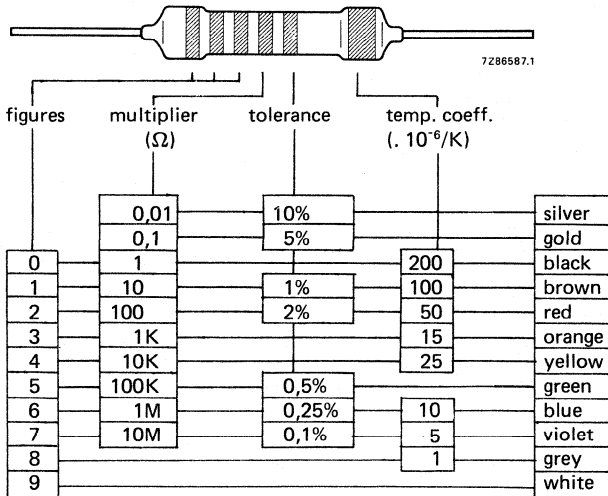


Fig. 5.

The "figures" refer to the first two or three digits of the resistance value of the standard series of values in a decade, according to IEC publication 63 and as indicated in the relevant data sheet and printed at the back of this book.

GENERAL

Body colours The resistor bodies are lacquered in different colours to simplify identification:

tan	CR25
light green	SFR25
grey	NFR25, NFR30
green	MR25, MR30, MR52 MR24E/C/D, MR34E/C/D, MR54E/C/D, MR74E/C/D MPR24, MPR34, MRS16T, MRS25 AC04, AC05, AC07, AC10, AC15, AC20 ACL01, ACL02, ACL03
light blue	VR25, VR37, VR68
red	PR37, PR52
brown	WR0167E, WR0842E, WR0825E, WR0865E
red-brown	SFR25H

Certain resistors are not coded by colour bands but by a stamp giving pertinent data (alphanumeric marking). This is adopted with MIL types MR24E/C/D, MR34E/C/D, MR54E/C/D, MR74E/C/D as well as PR37 and PR52. Resistors outside the standard IEC 63 series of types MPR24 and MPR34 are stamped. All wirewound resistors are likewise stamped. Chip resistors are unmarked but the relevant marking is given on the package.

ELECTRICAL DATA

The electrical data include: nominal resistance range and tolerance, limiting voltage, temperature coefficient, absolute maximum dissipation, climatic category and stability.

The *limiting voltage* (r.m.s.) for resistor element and insulation is the maximum voltage that may be applied continuously to the resistor element or the insulation, see IEC publications 115-1 and 115-2. Where applicable, *derating details* and performance *nomograms* are given, showing the relationship between power dissipation, ambient temperature, hot-spot temperature and maximum resistance drift after prolonged operation. For power resistors graphs indicate the relationship between temperature rise and dissipation with lead-length or heatsinks as parameters.

The temperature rise in a resistor due to power dissipation is determined by laws of heat conduction, convection and radiation. The maximum body temperature usually occurs in the middle of the resistor and is called the *hot-spot* temperature.

Heat conducted by the leads – which can be considerable in power types – must not reach the melting point of the solder at the joints. This may call for the use of heatsinks and/or longer leads.

In the normal operating temperature range of film resistors the temperature rise at the hot-spot, ΔT , is proportional to the power dissipated: $\Delta T = A \times P$. The proportionally constant A gives the temperature rise per watt of dissipated power and can be interpreted as a thermal resistance in K/W. This thermal resistance is a function of the dimensions of the resistor, the heat conductivity of the materials used and, to a lesser degree, of the way of mounting. The sum of the temperature rise and the ambient temperature is:

$$T_m = T_{amb} + \Delta T.$$

The stability of a film resistor during endurance tests is mainly determined by the hot-spot temperature and the resistance. The lower the resistance – other conditions kept constant – the higher the stability due to the greater film thickness.

Summarizing:

dimensions determine	=	heat resistance
heat resistance x dissipation	=	temperature rise
temperature rise + ambient temperature	=	hot-spot temperature
hot-spot temperature and resistance value determine	=	stability

Performance

When specifying the performance of a resistor, the dissipation is given as a function of the hot-spot temperature, with the ambient temperature as a parameter.

From $\Delta T = A \times P$ and $T_m = T_{amb} + \Delta T$ it follows that:

$$P = \frac{T_m - T_{amb}}{A}$$

If P is plotted against T_m for a constant value of A, parallel straight lines are obtained for different values of the ambient temperature. The slope of these lines,

$$\frac{dP}{dT_m} = \frac{1}{A},$$

is the reciprocal of the heat resistance and is characteristic for the resistor.

The stability $\frac{\Delta R}{R}$ can be determined experimentally, for instance after 1000 h, as a function of the hot-spot temperature with the resistance value as a parameter. It has been found that the resistance changes exponentially with temperature, giving a straight line when $\log \frac{\Delta R}{R}$ is plotted against T_m .

A combination of the graphs of P and $\frac{\Delta R}{R}$ against T_m gives a nomogram from which the values of several variables can be determined for a resistor of a given size under different working conditions. An example of such a nomogram with fictitious values is given in Fig. 6. The intersection of the broken line with the horizontal axis gives the hot-spot temperature under chosen conditions.

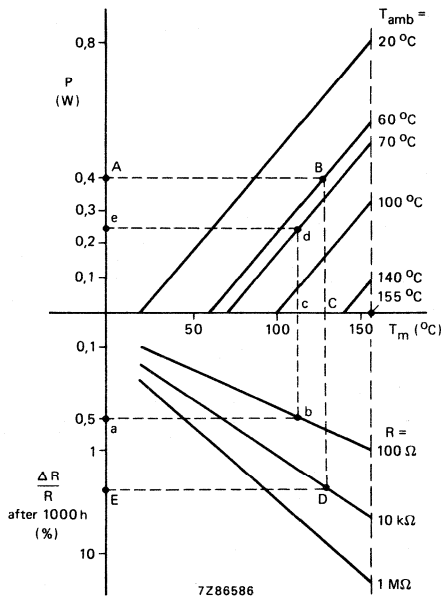


Fig. 6 Performance nomogram (for a fictitious resistor) illustrating the way of specifying the performance of film resistors.

Example 1

Assume that a 10 kΩ resistor whose characteristics are described by the nomogram is to be operated at a power dissipation of 0,4 W and an ambient temperature of 60 °C. To find out whether this dissipation is allowable at this ambient temperature and, if so, what the expected stability of the resistor will be, draw in the upper half of the nomogram a horizontal line through A (power dissipation of 0,4 W). This line intersects the 60 °C ambient temperature line at point B, corresponding to a hot-spot temperature of 128 °C (point C). This is safely below the maximum indicated by the broken line at 155 °C; therefore a dissipation of 0,4 W at an ambient temperature of 60 °C is well within the allowable limit.

Extend line BC into the lower half of the nomogram until it intersects the 10 kΩ line at point D. This means that at a hot-spot temperature of 128 °C a resistance change of about 2,5% (point E) can be expected after 1000 hours of operation.

Example 2

Assume that a 100 Ω resistor, whose characteristics are described by the nomogram, is to be operated at an ambient temperature of 70 °C with a required stability after 1000 h of 0,5%. It is desired to find the maximum permissible power dissipation. In the lower half of the nomogram, a line that corresponds to a stability of 0,5% intersects the 100 Ω resistance line at point b, corresponding to a hot-spot temperature of 112 °C (point c).

Extending the line b-c into the upper half of the nomogram, it intersects the line indicating an ambient temperature of 70 °C at point d, corresponding to a maximum permissible power dissipation of 0,25 W (point e).

If the power to be dissipated exceeds the value found, a bigger type of resistor should be used.

The temperature coefficient

The temperature coefficient of resistance is a ratio which indicates the rate of increase (decrease) of resistance per °C increase (decrease) of temperature within a specified range, and is expressed in parts per million per °C ($\cdot 10^{-6}/K$).

Example: If the temperature coefficient of a resistor of $R_{nom} = 1 M\Omega$ between $-55\text{ }^{\circ}C$ and $+155\text{ }^{\circ}C$ is $\pm 100 \cdot 10^{-6}/K$ its resistance will be:

- at 25 °C: 1 000 000 Ω (nominal = rated value)
- at +155 °C: $1\ 000\ 000\ \Omega + (130 \cdot 100 \cdot 10^{-6}) \times 1\ 000\ 000\ \Omega = 1\ 013\ 000\ \Omega$
- at -55 °C: $1\ 000\ 000\ \Omega - (80 \cdot 100 \cdot 10^{-6}) \times 1\ 000\ 000\ \Omega = 992\ 000\ \Omega$

If the temperature coefficient is specified as $\leq 100 \cdot 10^{-6}/K$ the resistance will be within the shaded area.

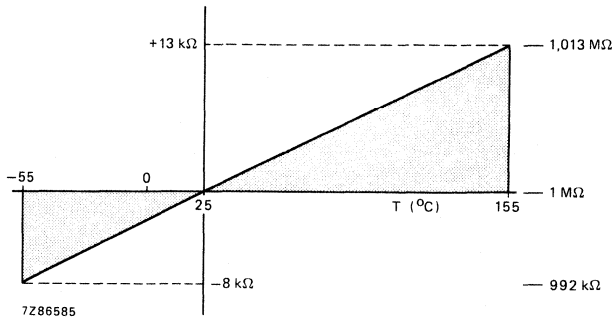


Fig. 7.

PULSE-LOAD BEHAVIOUR

Knowing the thermal characteristics of a resistor, it is possible to calculate the load due to a single pulse which will cause a resistor to fail by going open circuit. This theoretical maximum can be expressed in terms of peak pulse power, \hat{P} , and pulse duration, t_i , the straight line in Fig. 8 is a typical example for a film resistor. In practice, however, owing to variations in the resistance film, substrate, or spiralling, resistors fail at loads less than this theoretical maximum; the dashed line in Fig. 8 shows the observed maximum for a resistor under single-pulse loading.

The magnitude of a single pulse at which failure occurs is of little practical value. More usually, the resistor must withstand a continuous train of pulses of repetition time t_p during which only a small resistance change is acceptable. This resistance change $\Delta R/R$ is equal to the change permissible under continuous load conditions. The continuous pulse train and small permissible resistance change both reduce the maximum pulse handling capability.

Using a computer program which takes account of all factors affecting resistor behaviour under pulse loads, curves similar to those of Fig. 8 are being produced for all our resistor ranges.

Measurements have shown that the calculated value is accurate to within 10% of the true value.

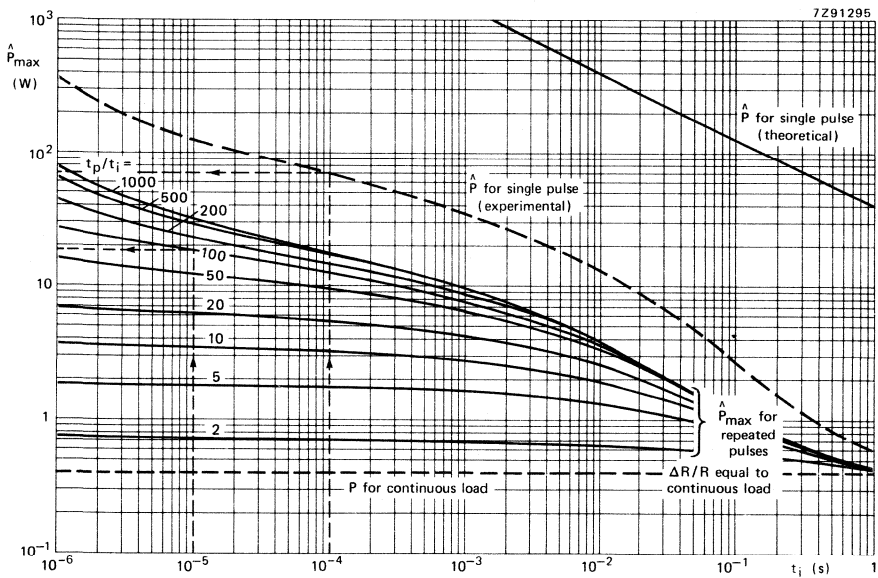


Fig. 8 Max. permissible peak pulse power (\hat{P}_{max}) versus pulse duration (t_i) for a typical resistor.

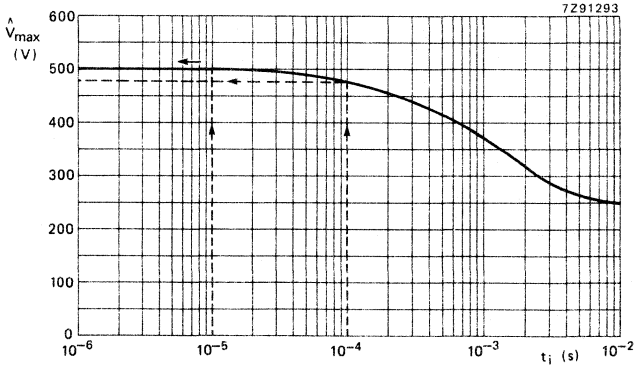


Fig. 9 Max. permissible peak pulse voltage (\hat{V}_{max}) versus pulse duration (t_i) for a typical resistor.

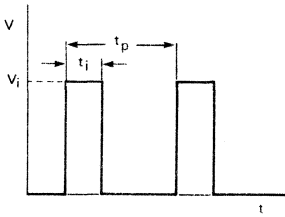
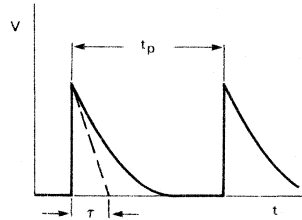


Fig. 10 Rectangular pulses.



7291301

Fig. 11 Exponential pulses.

- \hat{P} = applied peak pulse power
- \hat{P}_{max} = max. permissible peak pulse power (see Fig. 8)
- \hat{V}_i = applied peak pulse voltage (Figs 10 and 11)
- \hat{V}_{max} = max. permissible peak pulse voltage (Fig. 9)
- R = nominal resistance value
- t_i = pulse duration (rectangular pulses)
- t_p = pulse repetition time
- τ = time constant (exponential pulses)
- T_{amb} = ambient temperature
- T_{hsp} = max. hot spot temperature of the resistor

Pulse-load behaviour of metal film resistors ($R > 10 \Omega$)*Definitions*

Single Pulse. The resistor is considered to be operating under single pulse conditions if, during its life, it is loaded with a limited number (approx. 1500) of pulses at long time intervals (greater than one hour).

Repetitive Pulse. The resistor is operating under repetitive pulse conditions when it is loaded by a continuous train of pulses of similar power.

Determination of pulse loading

The graphs of Figs 8 and 9 may be used to determine the maximum pulse loading for a resistor. The calculations assume:

- $T_{amb} = 70 \text{ }^\circ\text{C}$
- T_{hsp} is the maximum permissible hot spot temperature for the relevant resistor family;
- $\Delta R/R$ equal to the permitted value for 1000 hours at continuous level.

- *For repetitive rectangular pulses:*

- $\frac{\hat{V}_i^2}{R}$ must be lower than the value of \hat{P}_{max} given by the solid lines of Fig. 8 for the applicable value of t_i and duty cycle t_p/t_i .
- \hat{V}_i must be lower than the value of \hat{V}_{max} given in Fig. 9 for the applicable value of t_i .

- *For repetitive exponential pulses:*

- As for rectangular pulses, except that $t_i = 0,5 \tau$.

- *For single rectangular pulses:*

- $\frac{\hat{V}_i^2}{R}$ must be lower than the value of \hat{P}_{max} given by the dashed line of Fig. 8 for the applicable of t_i .
- \hat{V}_i must be lower than the value of \hat{V}_{max} given in Fig. 9 for the applicable value of t_i .

Examples

Determine the stability of a typical resistor for operation under the following pulse-load conditions.

1. Continuous pulse train

A $100\ \Omega$ resistor is required to operate under the following conditions:

$$\hat{V}_i = 40\ \text{V}; t_i = 10^{-5}\ \text{s}; t_p = 10^{-3}\ \text{s}.$$

Therefore:

$$P = \frac{40^2}{100} = 16\ \text{W} \quad \text{and} \quad \frac{t_p}{t_i} = \frac{10^{-3}}{10^{-5}} = 100.$$

For

$$t_i = 10^{-5}\ \text{s} \quad \text{and} \quad \frac{t_p}{t_i} = 100,$$

Fig. 1 gives $\hat{P}_{\max} = 19\ \text{W}$ and Fig. 9 gives $\hat{V}_{\max} = 500\ \text{V}$. As the operating conditions $\hat{P} = 16\ \text{W}$ and $\hat{V}_i = 40\ \text{V}$ are lower than these limiting values, this resistor can safely be used.

2. Single pulse

A $1000\ \Omega$ resistor is required to operate under the following conditions:

$$\hat{V}_i = 200\ \text{V}; t_i = 10^{-4}\ \text{s}.$$

Therefore:

$$\hat{P}_{\max} = \frac{200^2}{1000} = 40\ \text{W}.$$

The dashed curve of Fig. 8 shows that at $t_i = 10^{-4}\ \text{s}$, the permissible $\hat{P}_{\max} = 70\ \text{W}$ and Fig. 9 shows a permissible \hat{V}_{\max} of $480\ \text{V}$, so again this resistor may be used.

COMPOSITION OF THE CATALOGUE NUMBER

Resistors are ordered by their *catalogue number*, a 12-digit number. The packaging method is an integral part of this number, and so is the resistance code.

TESTS AND REQUIREMENTS

Essentially all tests on resistors are carried out according to the schedule of IEC publication 115-1 in the specified climatic category and along the lines of IEC publication 68, "Recommended basic climatic and mechanical robustness testing procedure for electronic components". In some instances deviations from the IEC recommendation are made.

STANDARD PACKAGING

Most types can be processed automatically. They are supplied on tape for this purpose, i.e. a bandolier which fits most commonly used automatic mounting machine. Not all bandolier configurations are identical, the deviating parameters are given in Figs 12 and 13.

Axial leads

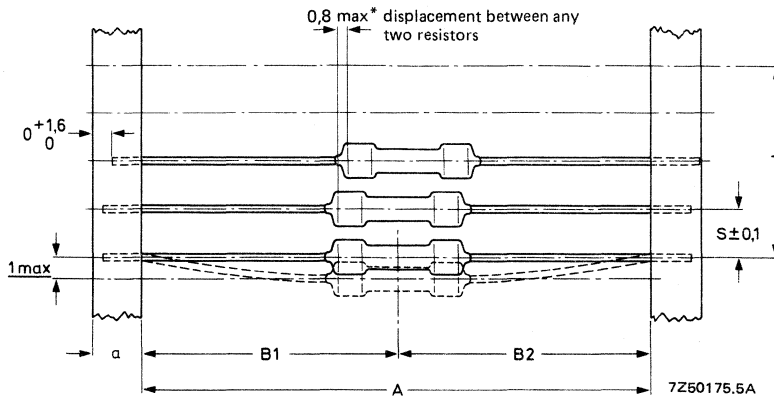


Fig. 12

S = spacing

T = maximum deviation of spacing: 1 mm per 10 spacings or
0,5 mm per 5 spacings

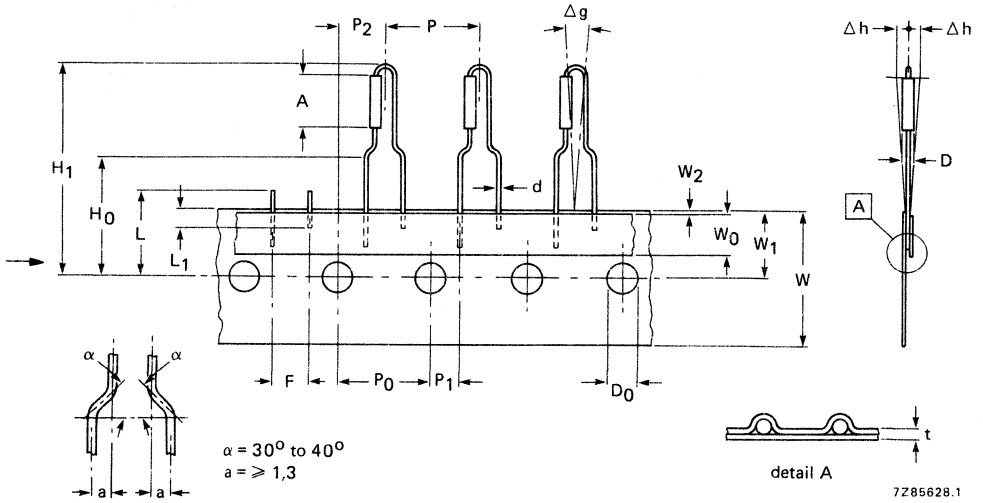
a = tape width

A = tape distance

B1 – B2 = centricity

* 0,5 max. for type SFR16T, MRS16T and MRS16T li.

Radial leads



Bandolier for types with radial leads (Euroform).

Fig. 13.

Body diameter	D
Body length	A
Lead wire diameter	d
Pitch of components	P
Feed hole pitch	P ₀
Cumulative pitch error	T
Feed hole centre to lead at topside of the top	P ₁
Feed hole centre to body centre	P ₂
Lead to lead distance	F
Component alignment	Δh
Component alignment	Δg
Tape width	W
Hold down tape	W ₀
Hole position	W ₁
Hold down tape position	W ₂
Lead wire clinch height	H ₀
Component height	H ₁
Feed hole diameter	D ₀
Total tape thickness	t
Length of snapped lead	L
Lead wire (tape portion) shortest lead	L ₁

Extraction force for components in the tape plane, vertically to the direction of unreeling: $\geq 5N$.

Bandoliers may be supplied concertinaed in a cardboard box ("ammopack").

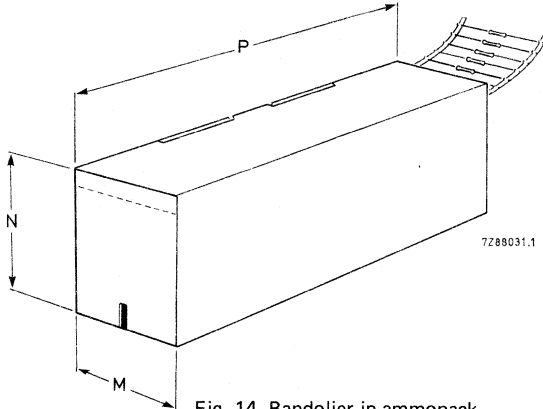


Fig. 14 Bandolier in ammpack.

"Ampopack" is an abbreviation of "ammunition packing". The dimensions vary per type and quantity.

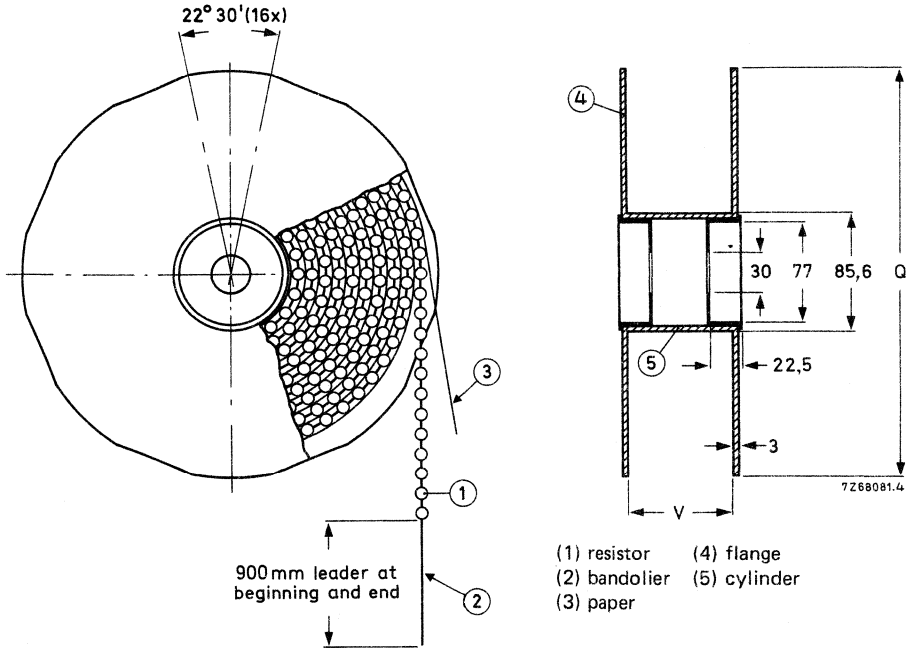


Fig. 15 Bandolier on reel.

Bandoliers can be reeled; dimensions Q and V differ per type.

SELECTION GUIDE

resistor type	resistance range	tolerance %	dissipation		type number or basic catalogue number	page
			at °C	W		
Carbon film	1 Ω to 1 MΩ	5	70	0,33	CR25	21
Standard film	1 Ω to 3 MΩ 1 Ω to 10 MΩ	5 5; 2	70	0,50	SFR16T	31
				0,4	SFR25	37
				0,50	SFR25H	45
Fusible	1 Ω to 15 kΩ	5	70	0,33	NFR25	51
				0,50	NFR30	51
Metal film	10 Ω to 100 kΩ 1 Ω to 1 MΩ 6,8 Ω to 1 kΩ 5,1 Ω to 1 kΩ	1 1	70	0,4	MRS16T	59
				0,6	MRS25	65
				0,4	MRS16T li	71
				0,6	MRS25 li	71
Metal film	1 Ω to 1 MΩ	0,5; 1; 2		0,4	MR25	81
	4,99 Ω to 1 MΩ			0,5	MR30	81
				1	MR52	81
MIL film	10 Ω to 1 MΩ	1	70	0,125	MR24D	91
				0,25	MR34D	91
				0,5	MR54D	91
	49,9 Ω to 1 MΩ	0,1; 0,25; 0,5; 1	125	0,75	MR74D	91
				0,1	MR24E/C	91
				0,125	MR34E/C	91
24,9 Ω to 1 MΩ	1		0,25	MR54E/C	91	
			0,5	MR74E/C	91	
Metal film, precision	24 Ω to 100 kΩ	0,05; 0,02; 0,01 0,5; 0,25; 0,1	70	0,125	MPR24	95
	4,99 Ω to 1 MΩ			0,25	MPR34	95
				0,25	MPR24	95
				0,40	MPR34	95
High voltage	220 kΩ to 22 MΩ	1; 5; 10 1; 5	70	0,25	VR25	107
	220 kΩ to 33 MΩ			0,5	VR37	115
	100 kΩ to 68 MΩ			1,0	VR68	115
Power metal film	1 Ω to 27 kΩ	5	70	1,6	PR37	123
	30 kΩ to 1 MΩ			1,2	PR37	123
	1 Ω to 51 kΩ			2,5	PR52	131
	56 kΩ to 1 MΩ			2,0	PR52	131

resistor type	resistance range	tolerance %	dissipation		type number or basic catalogue number	page
			at °C	W		
Cemented wirewound	0,1 Ω to 33 k Ω	5; 10	40	3	AC03	141
				4	AC04	141
				5	AC05	141
				7	AC07	141
				10	AC10	141
				15	AC15	141
				20	AC20	141
Cemented wirewound	0,1 Ω to 12 k Ω	5; 10	70	1	ACL01	151
				2	ACL02	151
				3	ACL03	151
Enamelled wirewound	4,7 Ω to 100 k Ω	5; 10	70	4	WR0617E	159
		5		7	WR0825E	159
				11	WR0842E	159
				17	WR0865E	159
Rectangular wirewound	0,15 Ω to 22 k Ω	5; 10	70	4	EH04	165
				5	EH05	165
				7	EH07	165
				9	EH09	165
				17	EH17	165
Chip	1 Ω to 10 M Ω	2; 5	70	0,25	RC01	171

See also index of catalogue numbers at the back of the book.

CARBON FILM — CR

CARBON FILM RESISTORS

QUICK REFERENCE DATA

Resistance ranges	1 Ω to 1 M Ω ; E24 series		
Resistance tolerance	$\pm 5\%$		
Absolute maximum dissipation at $T_{amb} = 70\text{ }^{\circ}\text{C}^*$	0,33 W		
Basic specification	IEC 115-1 and 115-2		
Climatic category	55/155/56		
Stability after	see nomogram (Fig. 2)		
load			
climatic tests	$R \leq 220\text{ k}\Omega$	$\Delta R/R$	max. 1,5% + 0,1 Ω
	$R > 220\text{ k}\Omega$	$\Delta R/R$	max. 3%
soldering		$\Delta R/R$	max. 0,5% + 0,05 Ω
short time overload		$\Delta R/R$	max. 1% + 0,05 Ω

DESCRIPTION

Resistors of 10 Ω to 1 M Ω have a homogeneous film of pure carbon deposited on a high grade ceramic body. Resistors $R < 10\text{ }\Omega$ have an electroless-deposited nickel film. After a helical groove has been cut in the resistive layer, tinned connecting wires of electrolytic copper are welded to the end caps. The resistors are coated with a tan lacquer which provides electrical, mechanical and climatological protection. The encapsulation is resistant to all cleaning solvents according to MIL-STD-202E, method 215 and IEC 68-2-45.

MECHANICAL DATA

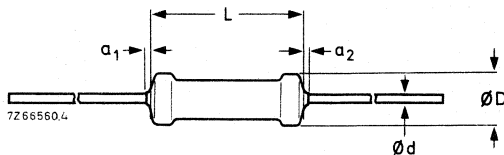


Fig. 1.

type	D_{max}	L_{max}	d	$a_1 + a_2$
C25	2,5	6,5	0,6	≤ 1

* Dissipation at $T_{amb} = 70\text{ }^{\circ}\text{C}$ which causes the maximum permissible hot-spot temperature of 155 $^{\circ}\text{C}$ to occur, irrespective of the resistance drift provoked by this condition.

The length of the body is measured by inserting the leads into holes of 1,0 mm dia. in two identical gauge plates and moving these plates parallel to each other until the resistor body is clamped without deformation (see IEC publication 294).

Mass 23 g per 100 resistors

Mounting

The resistors are suitable for processing on automatic insertion equipment and cutting and bending machines.

Marking

The nominal resistance and the tolerance are marked on the resistors by means of four coloured bands according to IEC publication 62: "Colour code for fixed resistors". See General Section.

ELECTRICAL DATA

Standard values of rated resistance and tolerance

Standard values of rated resistance (nominal resistance) are taken from the E24 series within the range 1 Ω to 1 M Ω . These values are given in the table "Standard series of values in a decade" at the back of the handbook.

The tolerance on the rated voltage is $\pm 5\%$.

The limiting voltage (r.m.s.) for resistor element and insulation is the maximum voltage that may be applied continuously to the resistor element or the insulation, see IEC publication 115-1 and 115-2.

Table

type	packing	quantity	resistance range	limiting voltage V r.m.s.	tolerance %	series	catalogue number
CR25	in box	1000	1 Ω – 1 M Ω	250	5	E24	2322 211 13. . .
	on reel	5000	1 Ω – 1 M Ω		5	E24	2322 211 23. . .
	in box	5000	1 Ω – 1 M Ω		5	E24	2322 211 73. . .
C25, 26 mm	in box	2000	1 Ω – 1 M Ω	250	5	E24	2322 211 43. . .

COMPOSITION OF THE CATALOGUE NUMBER

In the above-mentioned catalogue number, replace the first two dots by the first two digits of the resistance value. Replace the third dot by a figure according to the following table:

1 - 9,1 Ω	8	10 - 91 k Ω	3
10 - 91 Ω	9	100 - 910 k Ω	4
100 - 910 Ω	1	1 M Ω	5
1 - 9,1 k Ω	2		

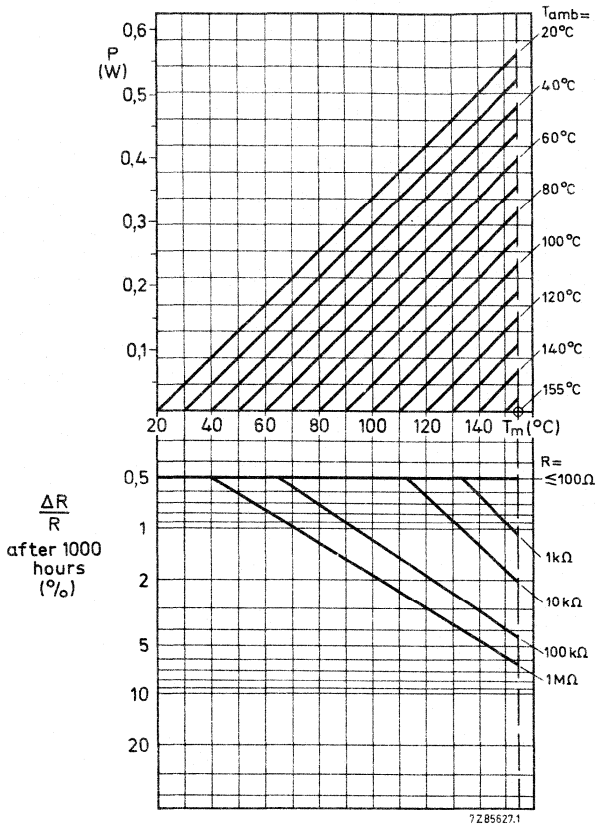


Fig. 2.

Performance nomogram showing the relationship between power dissipation P , ambient temperature T_{amb} , hot-spot temperature T_m , resistance value R , and maximum resistance drift $\Delta R/R$ after 1000 h of operation.

For continuous operation longer or shorter than 1000 h, t_x , the stability can be approximated by multiplying the drift $\Delta R/R$ after 1000 h with the square root of the time ratio, so:

$$(\Delta R/R \text{ after } x \text{ h}) = (\Delta R/R \text{ after } 1000 \text{ h}) \cdot (t_x/1000)^{1/2}$$

See also following notes.

Notes on nomogram

1. The nomogram should not be extended beyond the maximum permissible hot-spot temperature of 155 °C.
2. The resistance change given by the nomogram for $P = 0$ at a particular ambient temperature is indicative of the shelf life stability of a resistor at that temperature.
3. The stability lines do not give exact values for $\Delta R/R$, but represent a probability of 95% that the real values will be smaller than those obtained from the nomogram.
4. In the nomogram the limiting voltage of the resistors has not been taken into consideration.
5. IEC publication 115-1 is still based on the conventional method of rating resistors by a fixed "rated dissipation" at 70 °C requiring at that dissipation a fixed maximum permissible drift. In our specification, however, the rated dissipation is no longer specified and also the guaranteed resistance drift is made dependent on the working conditions. To bridge the gap between the system of IEC 115-1 and our system, Fig. 3 is added. In this figure the permissible dissipation at 70 °C for a resistance drift of max. 1,5% after 1000 hours is given, taking into consideration that the hot-spot temperature should not rise above 155 °C (horizontal part of the curve). In our specification the curve of Fig. 3 replaces the rated dissipation.

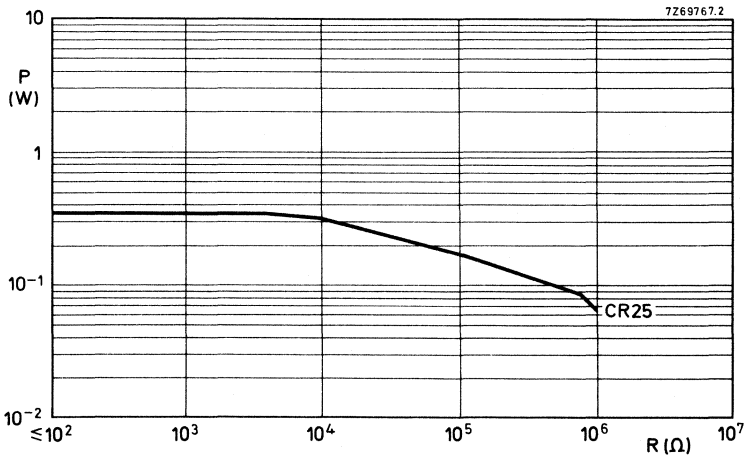


Fig. 3 Maximum permissible dissipation at $T_{amb} = 70\text{ °C}$ as a function of the resistance value for a resistance drift of 1,5% after 1000 hours or for a maximum temperature of 155 °C without reaching the resistance drift of 1,5%, limiting voltage being taken into account.

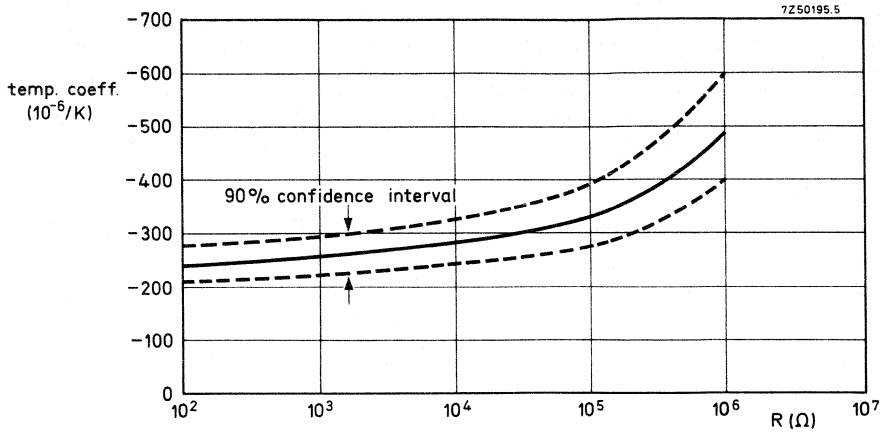


Fig. 4 Temperature coefficient as a function of the resistance value.
For values $< 10 \Omega$ the temperature coefficient is $\leq + 200 \cdot 10^{-6}/K$.

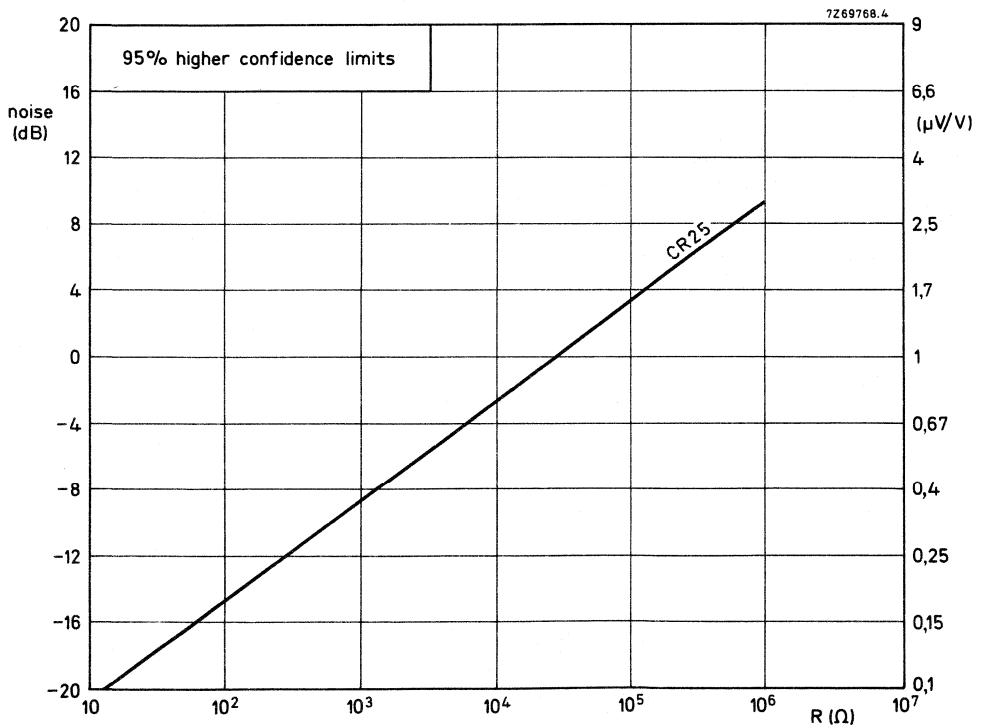


Fig. 5 Noise as a function of the resistance value. $0 \text{ dB} = 1 \mu V/V$.

High-frequency behaviour

The behaviour of a resistor at high frequencies is influenced not only by its construction but also by external factors such as length of leads, environmental stray capacitances and the measuring apparatus. Thus these factors have to be considered when measuring. The following table gives typical values under test conditions at 250 MHz using the measuring arrangement shown below. An RX-meter type 250 A of Boonton Radio Corporation is used.

Frequency: 250 MHz

CR25		
$R_{nom} (\Omega)$	$\frac{ Z }{R_{nom}}$	φ°
10	2,97	70
22	1,61	51
56	1,07	28
100	1,02	22
220	0,99	9
560	0,97	-5
1000	0,92	-15
2200	0,82	-35
5600	0,41	-66

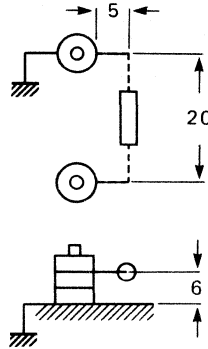


Fig. 6 Measuring arrangement.

7Z86516

TESTS AND REQUIREMENTS

Essentially all tests are carried out according to the schedule of IEC publication 115-1, category 55/155/56 (rated temperature range -55 to $+155$ °C; damp heat, long term, 56 days) and along the lines of IEC publication 68, "Recommended basic climatic and mechanical robustness testing procedure for electronic components". In the following table the tests are listed with reference to the relevant clauses of IEC publications 115-1 and 68; a short description is also given of the test procedure and requirements. In some instances deviations from the IEC specification were necessary for our method of specifying.

Table

IEC 115-1 clause	IEC 68 test method	test	procedure	requirements
4.16		Robustness of terminations		
4.16.2	Ua	Tensile all samples	ϕ 0,6 mm: load 10 N; 10 s	number of failures $< 10 \cdot 10^{-6}$
4.16.3	Ub	Bending half number of samples	ϕ 0,6 mm: load 5 N; 4 x 90°	
4.16.3	Uc	Torsion other half number of samples	3 x 360° in opposite directions	no damage
				ΔR max. 0,5% + 0,05 Ω

IEC 115-1 clause	IEC 68 test method	test	procedure	requirements
4.17	Ta	Soldering	solderability: 2 s 230 °C, flux 600	good tinning, no damage
4.18	Tb		thermal shock: 3 s 350 °C, 6 mm from body	ΔR max. 0,5% + 0,05 Ω
4.19	Na	Rapid change of temperature	$\frac{1}{2}$ h - 55 °C/ $\frac{1}{2}$ h + 155 °C, 5 cycles	ΔR max. 0,5% + 0,05 Ω
4.22	Fc	Vibration	frequency 10-500 Hz, displacement 1,5 mm or acceleration 10g, three directions; total 6 h	no damage ΔR max. 0,5% + 0,05 Ω
4.20	Eb	Bump	3 x 1500 bumps in three directions, 40 g	no damage ΔR max. 0,5% + 0,05 Ω
4.23	Ba D Aa M D	Climatic sequence	16 hours 155 °C 24 hours; 55 °C; 95 - 100% R.H. 2 hours; -55 °C 1 hour; 8,5 kPa; 15 - 35 °C 5 days; 55 °C; 95 - 100% R.H.	R_{ins} = min. 1000 M Ω ΔR max. 1,5% for $R \leq 220$ k Ω max. 3% for $R > 220$ k Ω
4.23.2		Dry heat		
4.23.3		Damp heat (accel.) 1st cycle		
4.23.4		Cold		
4.23.5		Low air pressure		
4.23.6		Damp heat (accel.) re- maining cycles		
4.24.2	Ca	Damp heat (steady state)	56 days; 40 °C; 90 - 95% R.H. The dissipation should not exceed 1% of the value indicated by Fig. 3	R_{ins} : min. 1000 M Ω ΔR max.: 1,5% for $R \leq 220$ k Ω ; 3% for $R > 220$ k Ω
4.25.1	—	Endurance	1000 hours; 70 °C; dissipation taken from Fig. 3	ΔR max.: 1,5%
4.8.4.2	—	Temperature coefficient	between -55 °C and + 155 °C	see Fig. 3
4.7	—	Voltage proof on insulation	500 V (r.m.s.) during 1 minute; V-block method	no breakdown

IEC 115-1 clause	IEC 68 test method	test	procedure	requirements
4.14	—	Noise	IEC publication 195	see Fig. 5
4.6.1.1	—	Insulation resistance	500 V (r.m.s.) during 1 minute; V-block method	min. $10^4 M\Omega$
4.13	—	Short time overload	room temperature, dissipation 6,25 x value taken from Fig. 3, (voltage not more than 2 x limiting voltage), 10 cycles, 5 s on, 45 s off	ΔR max. 1%
4.11	—	Voltage coefficient	—	$< 5 \cdot 10^{-6}$

PACKAGING

The resistors are supplied on bandolier, either 1000, 2000 or 5000 resistors in ammpack and 5000 on reel. See General Section for details.

Dimensions of bandolier

type	a $\pm 0,5$	A $\pm 1,6$	B1 – B2 $\pm \max$	S (spacing)	T (max. deviation of spacing)
CR25	6	52,4	1,2	5	1 mm per 10 spacings
CR25	6	26 + 1,5 – 0	1,2	5	0,5 mm per 5 spacings

Dimensions of ammpack

	M	N	P
1000 resistors	82	28	262
2000 resistors	50	50	255
5000 resistors	78	98	270

Dimensions of reel

type	quantity	Q	V
CR25	5000	305	73


STANDARD FILM - SFR, NFR

STANDARD FILM RESISTORS



metal film

QUICK REFERENCE DATA

Resistance range	1 Ω to 3 M Ω , E24 series		←
Resistance tolerance	$\pm 5\%$		
Temperature coefficient			←
$R \leq 4,7 \Omega$	$\leq \pm 250 \cdot 10^{-6}/K$		
$4,7 \Omega < R \leq 100 \text{ k}\Omega$	$\leq \pm 100 \cdot 10^{-6}/K$		
$R > 100 \text{ k}\Omega$	$\leq \pm 250 \cdot 10^{-6}/K$		
Nominal dissipation, P_n at $T_{amb} = 70 \text{ }^\circ\text{C}^*$	0,50 W		
Thermal resistance, R_{th}	170 K/W		
Noise			
$R \leq 68 \text{ k}\Omega$	max.	0,1 $\mu\text{V}/V$	
$R > 68 \text{ k}\Omega \leq 100 \text{ k}\Omega$	max.	0,5 $\mu\text{V}/V$	
$R > 100 \text{ k}\Omega$	max.	1,5 $\mu\text{V}/V$	
Basic specifications	IEC 115-1 and 115-2		
Climatic category (IEC 68)	55/155/56		
Approval		CECC 40101	
Stability after	$R \leq 100 \text{ k}\Omega$		$R > 100 \text{ k}\Omega$
load	$\Delta R/R$	max. 1% + 0,05 Ω	2% + 0,1 Ω
climatic tests	$\Delta R/R$	max. 1% + 0,05 Ω	2% + 0,1 Ω
soldering	$\Delta R/R$	max. 0,25% + 0,05 Ω	0,25% + 0,05 Ω
short time overload	$\Delta R/R$	max. 0,25% + 0,05 Ω	0,5 % + 0,05 Ω

DESCRIPTION

A homogeneous film of metal alloy is deposited on a high grade ceramic body. After a helical groove has been cut in the resistive layer, tinned connecting wires of electrolytic copper are welded to the end-caps. The resistors are coated with a light-green lacquer which provides electrical, mechanical and climatic protection. The encapsulation is resistant to all cleaning solvents according to MIL-STD 202E, method 215 and IEC 68-2045.

MECHANICAL DATA

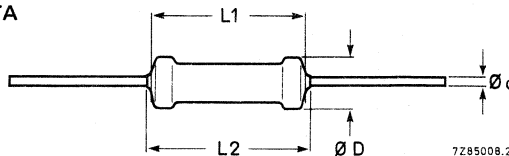


Fig. 1 Standard version, specially made to obtain a minimum "clean lead to clean lead" dimension L2 (bare bottom).

type and style	D	L1	L2 max	d	←
SFR16T	1,7 $\begin{smallmatrix} +0,2 \\ -0,1 \end{smallmatrix}$	3,5 $\begin{smallmatrix} +0,2 \\ -0,15 \end{smallmatrix}$	3,7	0,5-0,04	

* The maximum permissible hot-spot temperature is 155 $^\circ\text{C}$.

The length of the body is measured by inserting the leads into holes of two identical gauge plates and moving these plates parallel to each other until the resistor body is clamped without deformation (IEC publication 294). For leads of 0,5 mm diameter, the diameter of the holes in the gauge plates is 0,8 mm.

Mass 12,5 g per 100 resistors.

Mounting

The resistors are suitable for processing on automatic insertion equipment and cutting and bending machines. The minimum pitch is 2e (5 mm).

Marking


The nominal resistance and the tolerance are marked on the resistors by four coloured bands according to IEC publication 62 "Colour code for fixed resistors".

ELECTRICAL DATA

Standard values of rated resistance and tolerance

Standard values of rated resistance (nominal resistance) are taken from the E24 series within the range 1 Ω to 3 M Ω . E24 series of values is given in the table "Standard series of values in a decade" at the back of the handbook. The tolerance on the rated resistance is $\pm 5\%$.

The limiting voltage (r.m.s.) for resistor element and insulation is the maximum voltage that may be applied continuously to the resistor element or the insulation. See IEC publications 115-1 and 115-2. This voltage is 200 V.

type	bandolier width	packing	quantity	resistance range	tolerance $\pm \%$	catalogue number
→ SFR16T	26 mm	ammopack	2000	1 Ω to 3 M Ω	5	2322 180 63 ...
	26 mm	ammopack	5000	1 Ω to 3 M Ω	5	2322 180 43 ...
	52 mm	ammopack	1000	1 Ω to 3 M Ω	5	2322 180 73 ...
	52 mm	ammopack	5000	1 Ω to 3 M Ω	5	2322 180 53 ...
	52 mm	on reel	5000	1 Ω to 3 M Ω	5	2322 180 83 ...
→ SFR16T CECC 	52 mm	ammopack	1000	1 Ω to 3 M Ω	5	2322 180 76 ...
	52 mm	ammopack	5000	1 Ω to 3 M Ω	5	2322 180 56 ...
	52 mm	on reel	5000	1 Ω to 3 M Ω	5	2322 180 86 ...

COMPOSITION OF THE CATALOGUE NUMBER

The catalogue number in the above table is completed by inserting the resistance code: the first two figures of the resistance (in Ω) followed by:

-
- 8 for R = 1 to 9,1 Ω
 - 9 for R = 10 to 91 Ω
 - 1 for R = 100 to 910 Ω
 - 2 for R = 1 to 9,1 k Ω
 - 3 for R = 10 to 91 k Ω
 - 4 for R = 100 to 910 k Ω
 - 5 for R = 1 to 3 M Ω

Example

The catalogue number of a resistor SFR16T of 5600 $\Omega \pm 5\%$, on a 52 mm bandolier of 1000 items, supplied in ammopack, is 2322 180 73562.

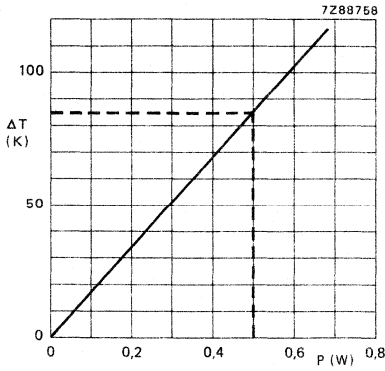


Fig. 2 Hot-spot temperature rise (ΔT) versus dissipated power.

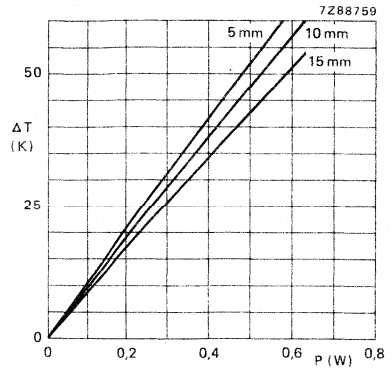


Fig. 3 Temperature rise (ΔT) at the end of lead (soldering point) versus dissipated power, at various lead lengths after mounting.

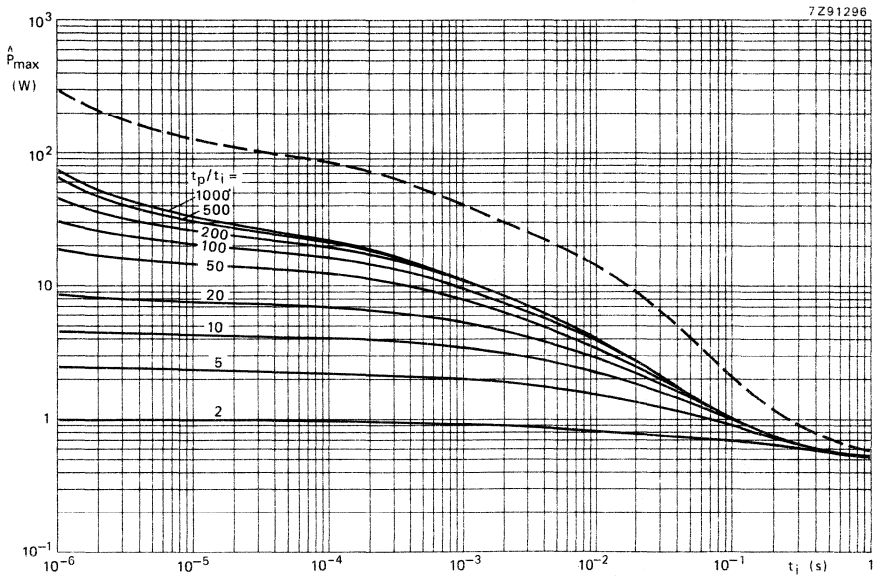


Fig. 4 Max. permissible peak pulse power (\hat{P}_{max}) versus pulse duration (t_i).

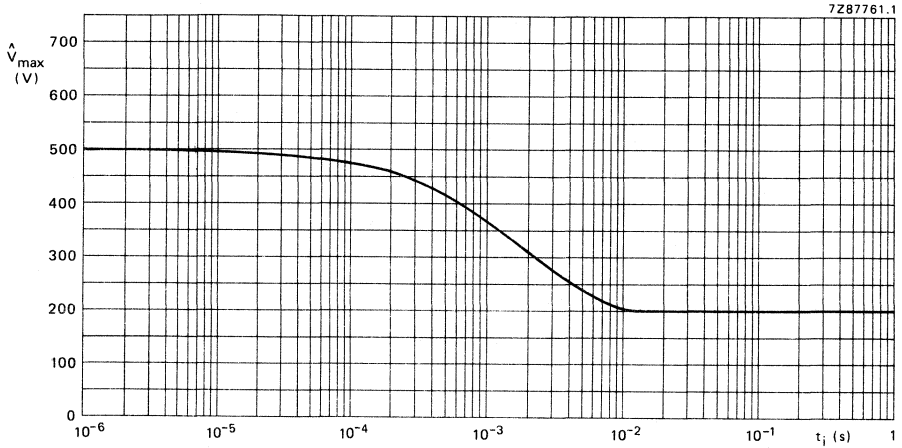


Fig. 5 Maximum permissible peak pulse voltage versus pulse duration.

TESTS AND REQUIREMENTS

Essentially all tests are carried out according to the schedule of IEC publication 115-1, category 55/155/56 (rated temperature range -55 to $+155$ °C; damp heat, long term, 56 days) and along the lines of IEC publication 68, "Recommended basic climatic and mechanical robustness testing procedure for electronic components". In the following table the tests are listed with reference to the relevant clauses of IEC publications 115-1 and 68; a short description is also given of the test procedure and requirements. In some instances deviations from the IEC recommendation were necessary for our method of specifying.

Table 4

IEC 115-1 clause	IEC 68 test method	test	procedure	requirements
4.16		Robustness of terminations		
4.16.2	U _a	Tensile all samples	ϕ 0,5 mm; load 5 N; 10 s	number of failures < 10 ppm
4.16.3	U _b	Bending half number of samples	ϕ 0,5 mm; load 2,5 N; 4 x 90°	
4.16.4	U _c	Torsion other half number of samples	3 x 360° in opposite directions	
4.17	T _a	Soldering	solderability: 2 s 235 °C, flux 600	good tinning, no damage
4.18	T _b		thermal shock: 3 s 350 °C, 6 mm from body	ΔR max. 0,25% + 0,05 Ω
4.19	Na	Rapid change of temperature	½ h -55 °C/½ h $+155$ °C, 5 cycles	ΔR max. 0,25% + 0,05 Ω

IEC115-1 clause	IEC 68 test method	test	procedure	requirements
4.22	Fc	Vibration	frequency 10-500 Hz, displacement 1,5 mm or acceleration 10g, three directions; total 6 h (3 x 2 h)	no damage ΔR max. 0,25% + 0,05 Ω
4.20	Eb	Bump	3 x 1500 bumps in three directions, 40g	no damage ΔR max. 0,25% + 0,05 Ω
4.23		Climatic sequence		
4.23.2	Ba	Dry heat	16 h, 155 °C	
4.23.3	D	Damp heat (accel) 1st cycle	24 h; 55 °C; 90-100% R.H.	
4.23.4	Aa	Cold	2 h; -55 °C	
4.23.5	M	Low air pressure	2 h; 8,5 kPa; 15-35 °C	
4.23.6	D	Damp heat (accel) remaining cycles	5 days; 55 °C; 95-100% R.H.	R_{ins} min. 1000 M Ω $R \leq 100$ k Ω ΔR max. 1% + 0,05 Ω $R > 100$ k Ω ΔR max. 2% + 0,1 Ω
4.24.2	Ca	Damp heat steady state	56 days; 40 °C; 90-95% R.H. dissipation 0,01 P _n	R_{ins} min. 1000 M Ω $R \leq 100$ k Ω ΔR max. 1% + 0,05 Ω $R > 100$ k Ω ΔR max. 2% + 0,1 Ω
4.25.1	—	Endurance	1000 hours; 70 °C P _n or V _{max}	$R \leq 100$ k Ω ΔR max. 1% + 0,05 Ω $R > 100$ k Ω ΔR max. 2% + 0,1 Ω
4.8.4.2	—	Temperature coefficient	between -55 °C and + 155 °C	$R \leq 4,7 \Omega$: $\leq \pm 250 \cdot 10^{-6}/K$ $4,7 \Omega < R \leq 100$ k Ω : $\leq \pm 100 \cdot 10^{-6}/K$ $R > 100$ k Ω : $\leq \pm 250 \cdot 10^{-6}/K$
4.7	—	Voltage proof on insulation	400 V (r.m.s.) during 1 minute V block method	no breakdown
4.12	—	Noise	IEC publication 195	$R \leq 68$ k Ω : max. 0,1 $\mu V/V$ 68 k $\Omega < R \leq 100$ k Ω : max. 0,5 $\mu V/V$ $R > 100$ k Ω : max. 1,5 $\mu V/V$
4.6.1.1	—	Insulation resistance	4000 V (r.m.s.) during 1 min. V block method	min. 10 ⁴ M Ω

IEC115-1 clause	IEC 68 test method	test	procedure	requirements
4.13	—	Short time overload	Room temperature, dissipation $6,25 P_n$ (voltage not more than $2 \times$ limiting voltage), 10 cycles 5 s on, 45 s off	$R \leq 100 \text{ k}\Omega$: $\Delta R \text{ max. } 0,25\% + 0,05 \Omega$ $R > 100 \text{ k}\Omega$: $\Delta R \text{ max. } 0,5\% + 0,05 \Omega$
		Intermittent overload acc. to JIS-C5205 5.8	$16 \times 0,16 \text{ W}$; 1 s on – 25 s off; $10\,000 \pm 200$ cycles V max. 600 V	$\Delta R \text{ max. } 0,75\% + 0,05 \Omega$
See 2nd amendment to IEC 115-1 and TC 40 central office 532 and 533		Pulse load		See Figs 4 and 5

PACKAGING

The resistors are supplied on bandolier in ammopack or on reel. See General section for details.

type	quantity per box		
	in ammopack on bandolier 52 mm 26 mm		52 mm bandolier on reel and ammopack
SFR16T	1000	2000	5000

Dimensions of bandolier

	a $\pm 0,5$	A	B1-B2 $\pm \text{max.}$	S (spacing)	T (max. deviation of spacing)
	6	$52,5 \pm 1,5$	0,5	5	1 mm per 10 spacings
	6	$26 + 1,5 - 0$	0,5	5	0,5 mm per 5 spacings

Dimensions of ammopack

	M	N	P
1000 resistors	75	30	140
2000 resistors	50	34	256
5000 resistors	75	73	270

Dimensions of reel

	Q	V
5000 resistors	265	75

STANDARD FILM RESISTORS

metal film

QUICK REFERENCE DATA

Resistance range	1 Ω to 10 M Ω , E24 series and jumper (zero Ω)		←
Resistance tolerance	$\pm 5\%$ and $\pm 2\%$		
Temperature coefficient			
R \leq 1 M Ω	$\leq 100 \cdot 10^{-6}/K$		
R > 1 M Ω	$\leq 250 \cdot 10^{-6}/K$		
Absolute maximum dissipation at T _{amb} = 70 °C *	0,4 W		
Noise			
R \leq 1 M Ω	max.	0,1 $\mu V/V$	
R > 1 M Ω	max.	1,5 $\mu V/V$	
Basic specifications	IEC 115-1 and 115-2		
Climatic category (IEC 68)	55/155/56		
Stability after			
load	$\Delta R/R$	max. 1% + 0,05 Ω	
climatic tests	$\Delta R/R$	max. 1% + 0,05 Ω	
soldering	$\Delta R/R$	max. 0,25% + 0,05 Ω	
short time overload	$\Delta R/R$	max. 0,25% + 0,05 Ω	

DESCRIPTION

A homogeneous film of metal alloy is deposited on a high grade ceramic body. After a helical groove has been cut in the resistive layer, tinned connecting wires of electrolytic copper are welded to the end-caps. The resistors are coated with a light-green lacquer which provides electrical, mechanical and climatic protection. The encapsulation is resistant to all cleaning solvents according to MIL-STD-202E, method 215 and IEC 68-2-45.

MECHANICAL DATA

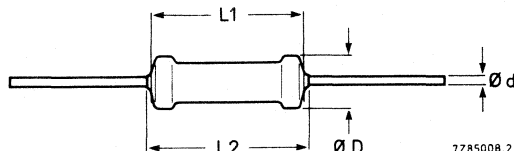


Fig. 1.

type	D _{max}	L1 max	L2 max	d
SFR25	2,5	6,5	7,0	0,6

* This is the dissipation at T_{amb} = 70 °C which causes the maximum permissible hot-spot temperature of 155 °C to occur, irrespective of the resistance drift provoked by this condition.

The length of the body is measured by inserting the leads into holes of two identical gauge plates and moving these plates parallel to each other until the resistor body is clamped without deformation (IEC publication 294). For leads of 0,6 mm diameter, the diameter of the holes in the gauge plates is 1,0 mm.

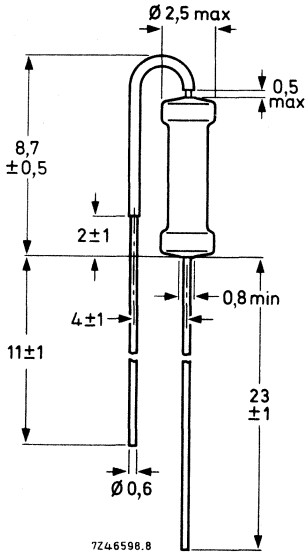


Fig. 2 "Stand-up" type SFR25A, for vertical mounting. The bent lead is partially covered with an insulating lacquer with a breakdown voltage of at least 50 V (d.c.).

Mass 25 g per 100 resistors.

Mounting

The resistors are suitable for processing on automatic insertion equipment and cutting and bending machines. The minimum pitch is 4e (10,2 mm). The "stand-up" type, SFR25A, can be inserted into holes with a pitch of 1e.

Marking


The nominal resistance and the tolerance are marked on the resistors by four coloured bands according to IEC publication 62 "Colour code for fixed resistors". See also General Section.

ELECTRICAL DATA

Standard values of rated resistance and tolerance

Standard values of rated resistance (nominal resistance) are taken from the E24 series within the range 1 Ω to 10 M Ω . E24 series of values is given in the table "Standard series of values in a decade" at the back of the handbook. The tolerance on the rated resistance is **either** $\pm 5\%$ or $\pm 2\%$.

The limiting voltage (r.m.s.) for resistor element and insulation is the maximum voltage that may be applied continuously to the resistor element or the insulation. See IEC publications 115-1 and 115-2. This voltage is 250 V.

type	packing	quantity	resistance range	tolerance ± %	catalogue number
SFR25*	ammopack	1000	1 Ω to 10 MΩ	5	2322 181 53 ...
		5000			2322 181 43 ...
	on reel	1000	1 Ω to 1 MΩ	2	2322 181 54 ...
		5000	1 Ω to 10 MΩ	5	2322 181 63 ...
		5000	1 Ω to 1 MΩ	2	2322 181 64 ...
		5000			
SFR25 CECC approved 40101 	ammopack	1000	1 Ω to 1 MΩ	5	2322 183 13 ...
		1000		2	2322 183 14 ...
		5000		5	2322 183 43 ...
	on reel	5000		2	2322 183 44 ...
		5000		5	2322 183 63 ...
		5000		2	2322 183 64 ...
SFR25 26 mm bandolier	ammopack	2000	1 Ω to 10 MΩ	5	2322 181 03 ...
SFR25A "stand-up"	in box (loose)	1000	1 Ω to 10 MΩ	5	2322 181 33 ...
SFR25AS radial taped	on reel	4000	1 Ω to 10 MΩ	5	2322 184 43 ...

COMPOSITION OF THE CATALOGUE NUMBER

The catalogue number in the above table is completed by inserting the resistance code: the first two figures of the resistance (in Ω) followed by:

- 8 for R = 1 to 9,1 Ω
- 9 for R = 10 to 91 Ω
- 1 for R = 100 to 910 Ω
- 2 for R = 1 to 9,1 kΩ
- 3 for R = 10 to 91 kΩ
- 4 for R = 100 to 910 kΩ
- 5 for R = 1 to 9,1 MΩ
- 6 for R = 10 MΩ

Example

The catalogue number of a resistor SFR25 of 5600 Ω ± 5%, taped on a bandolier of 1000 items, supplied in ammpack, is 2322 181 53562.

* A jumper (zero Ω resistor, max. 10 mΩ at 5 A) is available:
1000 items on bandolier in ammpack, catalogue number 2322 181 90018
5000 items on bandolier in ammpack, catalogue number 2322 181 90019

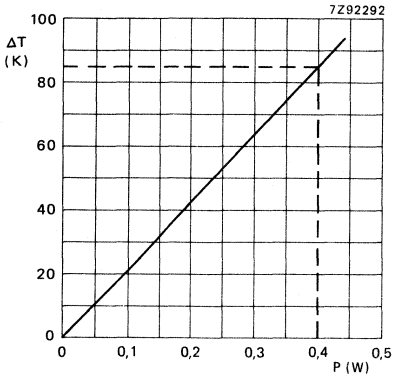


Fig. 3 Hot-spot temperature rise (ΔT) versus dissipated power.

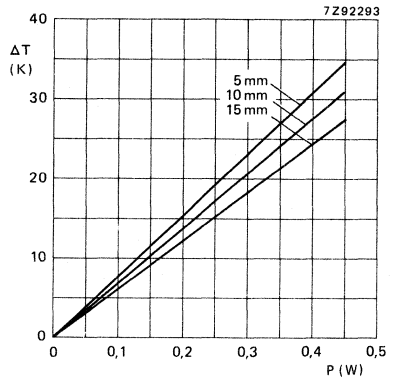


Fig. 4 Temperature rise (ΔT) at the end of the lead (soldering point) versus dissipated power, at various lead lengths after mounting.

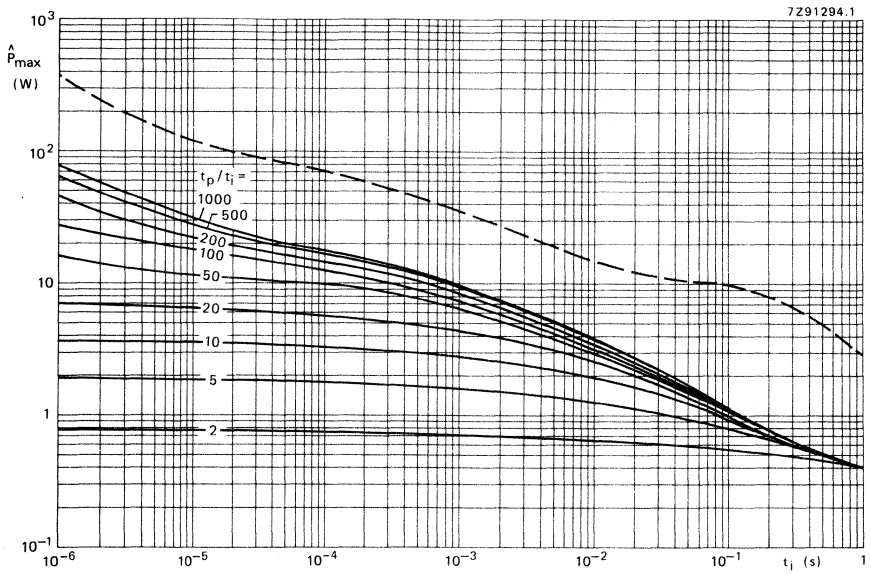


Fig. 5 Maximum permissible peak pulse power versus pulse duration.

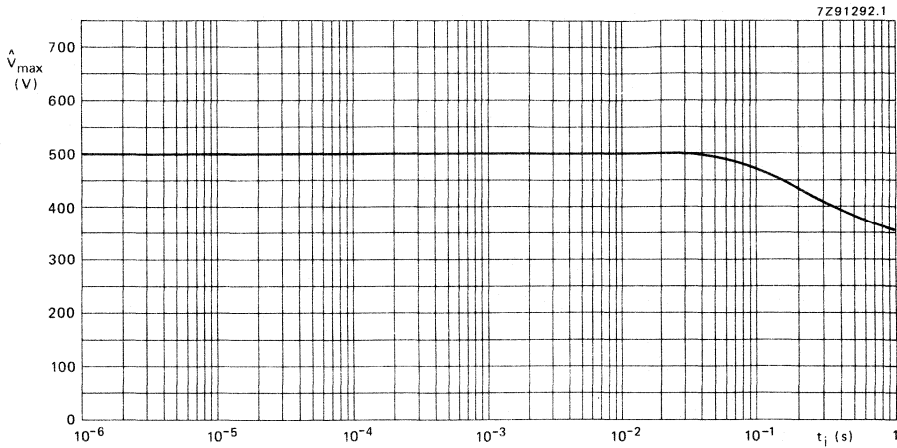


Fig. 6 Maximum permissible peak pulse voltage versus pulse duration.

TESTS AND REQUIREMENTS

Essentially all tests are carried out according to the schedule of IEC publication 115-1, category 55/155/56 (rated temperature range -55 to $+155$ °C; damp heat, long term, 56 days) and along the lines of IEC publication 68, "Recommended basic climatic and mechanical robustness testing procedure for electronic components". In the following table the tests are listed with reference to the relevant clauses of IEC publications 115-1 and 68; a short description is also given of the test procedure and requirements. In some instances deviations from the IEC recommendation were necessary for our method of specifying.

Table 4

IEC 115-1 clause	IEC 68 test method	test	procedure	requirements
4.16		Robustness of terminations		
4.16.2	Ua	Tensile all samples	ϕ 0,6 mm; load 10N; 10 s	} number of failures < 10 ppm
4.16.3	Ub	Bending half number of samples	ϕ 0,6 mm; load 5N; 4 x 90°	
4.16.4	Uc	Torsion other half number of samples	3 x 360° in opposite directions	
4.17	Ta	Soldering	solderability: 2 s 230 °C, flux 600	good tinning, no damage
4.18	Tb		thermal shock: 3 s 350 °C, 6 mm from body	ΔR max. 0,25% + 0,05 Ω

IEC 115-1 clause	IEC 68 test method	test	procedure	requirements
4.19	Na	Rapid change of temperature	½ h --55 °C/½ h + 155 °C 5 cycles	ΔR max. 0,25% + 0,05 Ω
4.22	Fc	Vibration	frequency 10-500 Hz, displacement 1,5 mm or acceleration 10g, three directions; total 6 h 3 x 2 h)	no damage ΔR max. 0,25% + 0,05 Ω
4.20	Eb	Bump	3 x 1500 bumps in three directions, 40g	no damage ΔR max. 0,25% + 0,05 Ω
4.23		Climatic sequence		
4.23.2	Ba	Dry heat	16 h, 155 °C	
4.23.3	D	Damp heat (accel) 1st cycle	24 h; 55 °C; 95-100% R.H.	
4.23.4	Aa	Cold	2 h; -55 °C	
4.23.5	M	Low air pressure	2 h; 8,5 kPa; 15-35 °C	
4.23.6	D	Damp heat (accel) remaining cycles	5 days; 55 °C; 95-100% R.H.	R _{ins} min. 1000 MΩ ΔR max. 1% + 0,05 Ω
4.24.2	Ca	Damp heat steady state	56 days; 40 °C; 90-95% R.H. dissipation 0,01 P _n	R _{ins} min. 1000 MΩ ΔR max. 1% + 0,05 Ω
4.25.1	—	Endurance	1000 hours; 70 °C nominal dissipation or V _{max}	ΔR max. 1% + 0,05 Ω
4.8.4.2	—	Temperature coefficient	between -55 °C and + 155 °C	R ≤ 1 MΩ: ≤ 100·10 ⁻⁶ /K R > 1 MΩ: ≤ 250·10 ⁻⁶ /K
4.7	—	Voltage proof on insulation	500 V (r.m.s.) during 1 min., V-block method	no breakdown
4.12	—	Noise	IEC publication 195	R ≤ 1 MΩ: max. 0,1 μV/V R > 1 MΩ: max. 1,5 μV/V
4.6.1.1	—	Insulation resistance	500 V (r.m.s.) during 1 min., V-block method	min. 10 ⁴ MΩ
4.13	—	Short time overload	Room temperature, dissipation 6,25 P _n (voltage not more than 2 x limiting voltage), 10 cycles 5 s on, 45 s off	ΔR max. 0,25% + 0,05 Ω
See 2nd amendment to IEC 115-1 and TC40 central office 532 and 533		Pulse load		see Figs 4 and 5

PACKAGING

Resistors with axial leads are supplied on bandolier in ammpack or on reel; those with radial leads are either loose in a cardboard box or, with bent leads, on a bandolier in ammpack. See General section for details.

type	quantity per box		
	on bandolier ammpack	bulk loose	bandolier on reel
SFR25	1000/2000/5000	—	5000
SFR25A	—	1000	—
SFR25AS	—	—	4000

Dimensions of bandolier for types with axial leads

type	a $\pm 0,5$	A	B1-B2 $\pm \text{max.}$	S (spacing)	T (max. deviation of spacing)
SFR25	6	$52,5 \pm 1,5$	1,2	5	1 mm per 10 spacings 0,5 mm per 5 spacings
SFR25	6	$26 + 1,5 - 0$	1,0	5	

Dimensions of ammpack

	M	N	P
1000 resistors	82	28	262
2000 resistors	50	50	255
5000 resistors	78	98	270

Dimensions of reel

type	quantity	Q	V
SFR25	5000	305	73
SFR25AS	4000	356	40

Radial leads

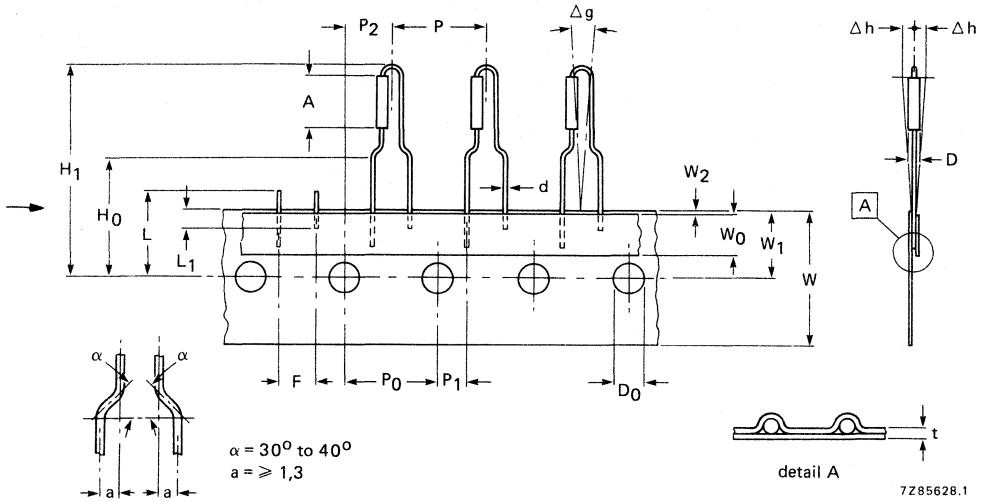


Fig. 7 Bandolier for types with radial leads, SFR25AS (Euroform).

Body diameter	D	max.	2,50
Body length	A	max.	7,00
Lead wire diameter	d		0,60 + 0,06 - 0,05
Pitch of components	P		12,7 ± 1,0
Feed hole pitch	P ₀		12,7 ± 0,2
Cumulative pitch error	T		1,0 per 20 spacings 0,5 per 4 spacings
Feed hole centre to lead at topside at the tape	P ₁		3,85 ± 0,5
Feed hole centre to body centre	P ₂		6,35 ± 1,0
Lead to lead distance	F		4,8 + 0,7
Component alignment	Δh		0 ± 1,2
Component alignment	Δg		0 ± 3°
Tape width	W		18,0 ± 0,5
Hold down tape width	W ₀	min.	5,5
Hole position	W ₁		9,0 ± 0,5
Hold down tape position	W ₂	max.	0,5
Lead wire clinch height	H ₀		16,5 ± 0,5
Component height	H ₁		19,5 to 32
Feed hole diameter	D ₀		4,0 ± 0,2
Total tape thickness	t		0,4 - 0,9
Length of snapped lead	L	max.	11,0
Lead wire (tape portion) shortest lead	L ₁	min.	2,5


Extraction force for components in the tape plane, vertically to the direction of unreeling: ≥ 5N.

STANDARD FILM RESISTORS

metal film



QUICK REFERENCE DATA

Resistance range	1 Ω to 10 M Ω , E24 series		
Resistance tolerance	$\pm 5\%$ and $\pm 2\%$		
Temperature coefficient	$R \leq 1 \text{ M}\Omega$ $\leq 100 \cdot 10^{-6}/\text{K}$ $R > 1 \text{ M}\Omega$ $\leq 250 \cdot 10^{-6}/\text{K}$		
Nominal dissipation	0,50 W		
Thermal resistance	120 K/W		
Noise	$R \leq 1 \text{ M}\Omega$ max. 0,1 $\mu\text{V}/\text{V}$ $R > 1 \text{ M}\Omega$ max. 1,5 $\mu\text{V}/\text{V}$		
Basic specifications	IEC 115-1 and 115-2		
Climatic category (IEC 68)	55/155/56		
Approval		CECC 40101	
Stability after		$R \leq 1 \text{ M}\Omega$	$R > 1 \text{ M}\Omega$
load	$\Delta R/R$	max. 1% + 0,05 Ω	2% + 0,1 Ω
climatic tests	$\Delta R/R$	max. 1% + 0,05 Ω	2% + 0,1 Ω
soldering	$\Delta R/R$	max. 0,25% + 0,05 Ω	0,25% + 0,05 Ω
short time overload	$\Delta R/R$	max. 1% + 0,05 Ω	1% + 0,05 Ω

DESCRIPTION

A homogeneous film of metal alloy is deposited on a high grade ceramic body. After a helical groove has been cut in the resistive layer, tinned connecting wires of electrolytic copper are welded to the end-caps. The resistors are coated with a red-brown lacquer which provides electrical, mechanical and climatic protection. The encapsulation is resistant to all cleaning solvents according to MIL-STD-202E, method 215 and IEC 68-2-45.

MECHANICAL DATA

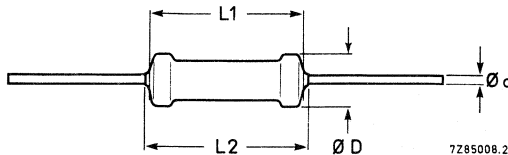


Fig. 1.

type	D_{max}	L1 max.	L2 max.	d
SFR25H	2,5	6,5	7,5	0,6

The length of the body is measured by inserting the leads into holes of two identical gauge plates and moving these plates parallel to each other until the resistor body is clamped without deformation (IEC publication 294). For leads of 0,6 mm diameter, the diameter of the holes in the gauge plates is 1,0 mm.

Mass 25 g per 100 resistors.

Mounting

The resistors are suitable for processing on automatic insertion equipment and cutting and bending machines. The minimum pitch for this type is 5e (12,7 mm).

Marking

The nominal resistance and the tolerance are marked on the resistors by four coloured bands according to IEC publication 62 "Colour code for fixed resistors". See also General Section.


ELECTRICAL DATA

Standard values of rated resistance and tolerance

Standard values of rated resistance (nominal resistance) are taken from the E24 series within the range 1 Ω to 10 M Ω . E24 series of values is given in the table "Standard series of values in a decade" according to IEC publication 63. The tolerance on the rated resistance is either $\pm 5\%$ or $\pm 2\%$.

The limiting voltage (r.m.s.) for resistor element and insulation is the maximum voltage that may be applied continuously to the resistor element or the insulation. See IEC publications 115-1 and 115-2. This voltage is 350 V.

Table 1

type	packing	quantity	resistance range	tolerance $\pm \%$	catalogue number	
					without CECC appr.	with CECC appr. 
SFR25H	ammopack	1000	1 Ω to 10 M Ω	5	2322 186 13 ...	2322 186 16 ...
		1000	1 Ω to 1 M Ω	2	2322 186 14 ...	2322 186 17 ...
		5000	1 Ω to 10 M Ω	5	2322 186 73 ...	2322 186 76 ...
	on reel	5000	1 Ω to 1 M Ω	2	2322 186 74 ...	2322 186 77 ...
		5000	1 Ω to 1 M Ω	5	2322 186 23 ...	2322 186 26 ...
		5000	1 Ω to 1 M Ω	2	2322 186 24 ...	2322 186 27 ...

COMPOSITION OF THE CATALOGUE NUMBER

The catalogue number in the above table is completed by inserting the resistance code: the first two figures of the resistance (in Ω) followed by:

- 8 for R = 1 to 9,1 Ω
- 9 for R = 10 to 91 Ω
- 1 for R = 100 to 910 Ω
- 2 for R = 1 to 9,1 k Ω
- 3 for R = 10 to 91 k Ω
- 4 for R = 100 to 910 k Ω
- 5 for R = 1 to 9,1 M Ω
- 6 for R = 10 M Ω

Example

The catalogue number of a resistor SFR25H of 5600 $\Omega \pm 5\%$ on a bandolier of 1000 items, supplied in ammopack, is 2322 186 13562. Same type CECC approved: 2322 186 16562.

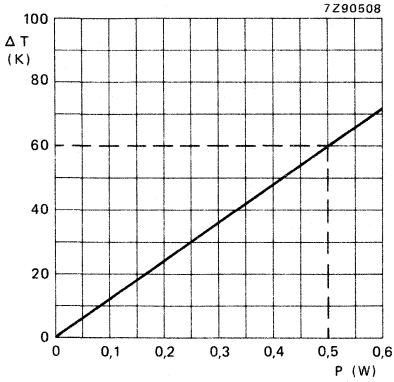


Fig. 2 Hot-spot temperature rise (ΔT) versus dissipated power.

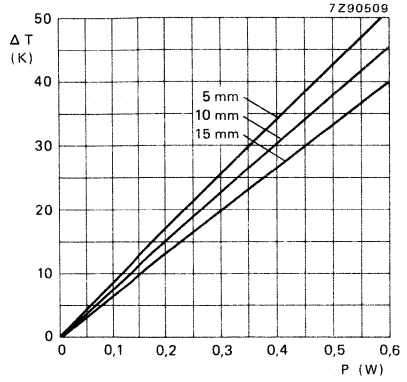


Fig. 3 Temperature rise (ΔT) at the end of the lead (soldering point) versus dissipated power, at various lead lengths after mounting.

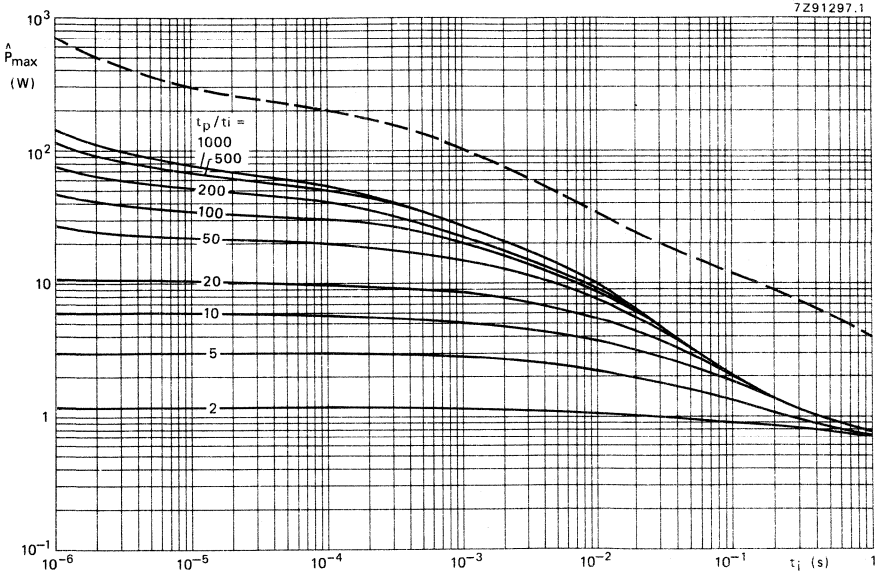


Fig. 4 Max. permissible peak pulse power (\hat{P}_{max}) versus pulse duration (t_i).

7Z91292.1

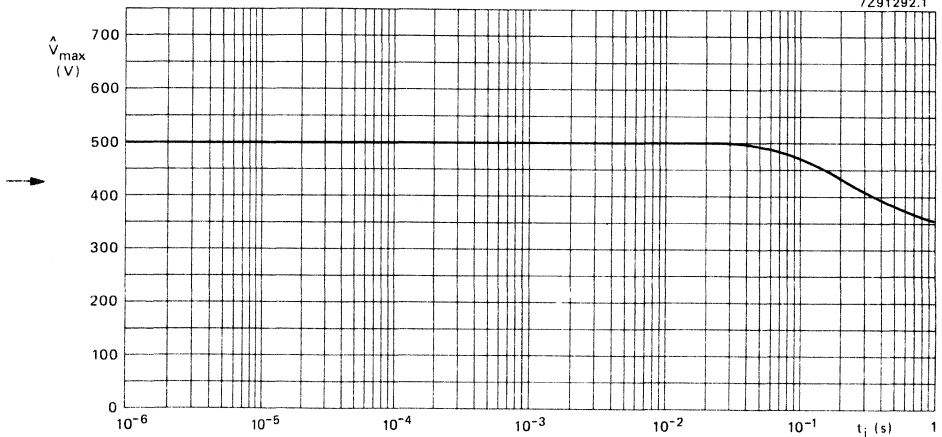


Fig. 5 Max. permissible peak pulse voltage (\hat{V}_{max}) versus pulse duration (t_i).

TESTS AND REQUIREMENTS

Essentially all tests are carried out according to the schedule of IEC publication 115-1, category 55/155/56 (rated temperature range -55 to $+155$ °C; damp heat, long term, 56 days) and along the lines of IEC publication 68, "Recommended basic climatic and mechanical robustness testing procedure for electronic components". In the following table the tests are listed with reference to the relevant clauses of IEC publications 115-1 and 68; a short description is also given of the test procedure and requirements. In some instances deviations from the IEC recommendation were necessary for our method of specifying.

Table 2

IEC 115-1 clause	IEC 68 test method	test	procedure	requirements
4.16		Robustness of terminations		
4.16.2	Ua	Tensile all samples	ϕ 0,6 mm; load 10N; 10 s	} number of failures < 10 ppm
4.16.3	Ub	Bending half number of samples	ϕ 0,6 mm; load 5N; $4 \times 90^\circ$	
4.16.4	Uc	Torsion other half number of samples	$3 \times 360^\circ$ in opposite directions	
4.17	Ta	Soldering	solderability: 2 s 230 °C, flux 600	good tinning no damage
4.18	Tb		thermal shock: 3 s 350 °C, 6 mm from body	ΔR max. 0,25% + 0,05 Ω

IEC 115-1 clause	IEC 68 test method	test	procedure	requirements
4.19	Na	Rapid change of temperature	½ h -55 °C/½ h + 155 °C 5 cycles	$R \leq 1 \text{ M}\Omega$: ΔR max. 0,25% + 0,05 Ω $R > 1 \text{ M}\Omega$: ΔR max. 0,5% + 0,05 Ω
4.22	Fc	Vibration	frequency 10-500 Hz, displacement 1,5 mm or acceleration 10g, three directions; total 6 h (3 x 2 h)	no damage ΔR max. 0,25% + 0,05 Ω
4.20	Eb	Bump	3 x 1500 bumps in three directions, 40g	no damage ΔR max. 0,25% + 0,05 Ω
4.23		Climatic sequence		
4.23.2	Ba	Dry heat	16 h, 155 °C	
4.23.3	D	Damp heat (accel) 1st cycle	24 h; 55 °C; 95-100% R.H.	
4.23.4	Aa	Cold	2 h; -55 °C	
4.23.5	M	Low air pressure	2 h; 85 kPa; 15-35 °C	
4.23.6	D	Damp heat (accel) remaining cycles	5 days; 55 °C; 95-100% R.H.	R_{ins} min. 1000 M Ω $R \leq 1 \text{ M}\Omega$: ΔR max. 1% + 0,05 Ω $R > 1 \text{ M}\Omega$: ΔR max. 2% + 0,1 Ω
4.24.2	Ca	Damp heat steady state	56 days; 40 °C; 90-95% R.H. dissipation 0,01 P_n	R_{ins} min. 1000 M Ω $R \leq 1 \text{ M}\Omega$: ΔR max. 1% + 0,05 Ω $R > 1 \text{ M}\Omega$: ΔR max. 2% + 0,1 Ω
4.25.1	—	Endurance	1000 hours; 70 °C nominal dissipation or V_{max}	$R \leq 1 \text{ M}\Omega$: ΔR max. 1% + 0,05 Ω $R > 1 \text{ M}\Omega$: ΔR max. 2% + 0,1 Ω
4.8.4.2	—	Temperature coefficient	between -55 °C and + 155 °C	$R \leq 1 \text{ M}\Omega$: $\leq 100 \cdot 10^{-6}/\text{K}$ $R > 1 \text{ M}\Omega$: $\leq 250 \cdot 10^{-6}/\text{K}$
4.7	—	Voltage proof on insulation	700 V (r.m.s.) during 1 minute; V block method	no breakdown
4.12	—	Noise	IEC publication 195	$R \leq 1 \text{ M}\Omega$: max. 0,1 $\mu\text{V}/\text{V}$ $R > 1 \text{ M}\Omega$: max. 1,5 $\mu\text{V}/\text{V}$
4.6.1.1	—	Insulation resistance	700 V (r.m.s.) during 1 minute; V block method	min. $10^4 \text{ M}\Omega$

IEC 115-1 clause	IEC 68 test method	test	procedure	requirements
4.13	—	Short time overload	Room temperature, dissipation $6,25 P_n$ (voltage not more than 2 x limiting voltage). 10 cycles 5 s on, 45 s off.	ΔR max. 1% + 0,05 Ω
See 2nd amendment to IEC 115-1 and TC40 central office 532 and 533		Pulse load		See Figs 4 and 5

PACKAGING

The resistors are supplied on bandolier, either 1000 or 5000 resistors in ammpack and 5000 on reel. See General section for details.

Dimensions of bandolier

type	a $\pm 0,5$	A $\pm 1,5$	B1-B2 \pm max.	S (spacing)	T (max. deviation of spacing)
SFR25H	6	52,5	1,2	5	1 mm per 10 spacings 0,5 mm per 5 spacings

Dimensions of ammpack

	M	N	P
1000 resistors	82	28	262
5000 resistors	78	98	270

Dimensions of reel

	Q	V
5000 resistors	305	73

FUSIBLE RESISTORS

metal film

QUICK REFERENCE DATA

Resistance range	1 Ω to 15 k Ω , E24 series		
Resistance tolerance	$\pm 5\%$		
Temperature coefficient	R > 15 Ω	$\leq 100 \cdot 10^{-6}/K$	
	R $\leq 15 \Omega$	$\leq 200 \cdot 10^{-6}/K$	
Absolute maximum dissipation at T _{amb} = 70 °C*	NFR25	0,33 W	
	NFR30	0,50 W	
Basic specifications	IEC 115-1 and 115-2		
Climatic category (IEC 68)	55/155/56		
Stability after		NFR25	NFR30
endurance test	$\Delta R/R$ max.	1% + 0,05 Ω	1% + 0,05 Ω
climatic tests	$\Delta R/R$ max.	1% + 0,05 Ω	1% + 0,05 Ω
soldering	$\Delta R/R$ max.	0,25% + 0,05 Ω	0,25% + 0,05 Ω

APPLICATION

These resistors have been designed to meet the safety requirements in audio and video applications, in circuits where protection against overloads is needed, e.g. in power supply circuits. The resistors will become open circuit within a certain range of overload, without the risk of fire. This occurs, in general, within 30 s and 10 s at 4 and 6 W respectively. See Figs 2 to 4.

DESCRIPTION

A homogenous film of metal alloy is deposited on a high grade ceramic body. After a helical groove has been cut in the resistive layer, tinned connecting wires of electrolytic copper are welded to the end-caps. The resistors are coated with a grey flame retardant lacquer which provides electrical, mechanical and climatic protection. The encapsulation is resistant to all cleaning solvents according to MIL-STD-202E, method 215 and IEC 68-2-45.

MECHANICAL DATA

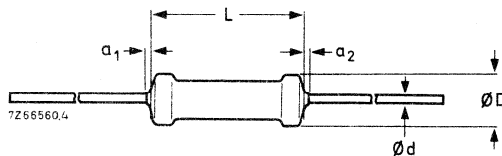


Fig. 1.

type	D _{max}	L _{max}	d	a ₁ + a ₂
NFR25	2,5	6,5	0,6	≤ 1
NFR30	3,0	8,5	0,7	≤ 1

* This is the dissipation at T_{amb} = 70 °C which causes the maximum permissible hot-spot temperature of 155 °C to occur, irrespective of the resistance drift provoked by this condition.

NFR25 NFR30

The length of the body is measured by inserting the leads into holes of two identical gauge plates and moving these plates parallel to each other until the resistor body is clamped without deformation (IEC publication 294). For leads of 0,6 and 0,7 mm diameter of the holes in the gauge plate is 1,0 mm.

Mass

NFR25	25 g per 100
NFR30	33 g per 100

Mounting

The resistors are suitable for processing on automatic insertion equipment and cutting and bending machines.

Since these resistors are used in applications where overloads can occur, it is not advisable to mount the resistors against other components or against printed circuit boards.

Marking

The nominal resistance and the tolerance are marked on these resistors by means of four coloured bands according to IEC publication 62 "Colour code for fixed resistors". See also General Section.

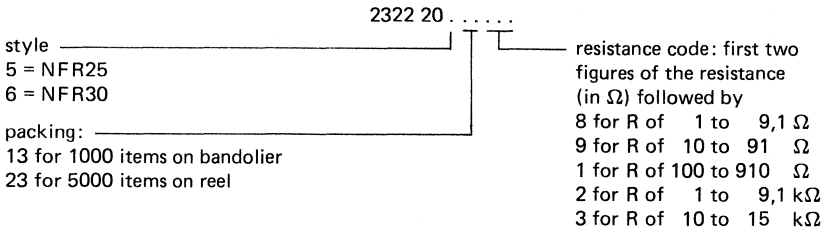
ELECTRICAL DATA

Standard values of rated resistance and tolerance

Standard values of rated resistance (nominal resistance) are taken from the E24 series within the range 1 Ω to 15 k Ω . E24 series of values is given in the table "Standard series of values in a decade" at the back of this book. The tolerance on the rated resistance is $\pm 5\%$.

The limiting voltage (r.m.s.) for the element is the maximum voltage that may be applied continuously to the resistor element or the insulation. See IEC publications 115-1 and 115-2. This voltage is 250 V for NFR25 and 350 V for NFR30.

Composition of the catalogue number



Example

The catalogue number of a resistor NFR25 of 5600 Ω , taped on a bandolier of 1000 items, supplied in ammopack, is 2322 205 13562.

Time to interruption as a function of overload

“Interruption” means that the nominal resistance has increased at least 10 times.

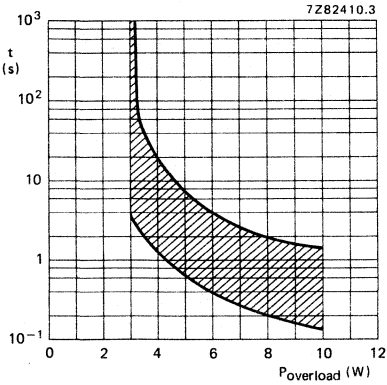


Fig. 2 NFR25; $R \leq 15 \Omega$.

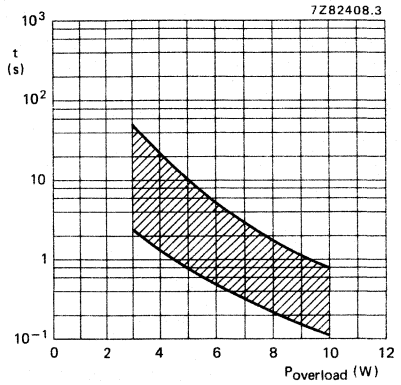


Fig. 3 NFR25; $15 \Omega < R \leq 15 \text{ k}\Omega$.

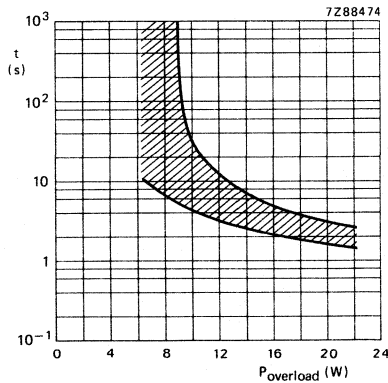


Fig. 4 NFR30.

TESTS AND REQUIREMENTS

Essentially all tests are carried out according to the schedule of IEC publication 115-1, category 55/155/56 (rated temperature range -55 to $+155$ °C; damp heat, long term, 56 days) and along the lines of IEC publication 68, "Recommended basic climatic and mechanical robustness testing procedure for electronic components". In the following table the tests are listed with reference to the relevant clauses of IEC publications 115-1 and 68; a short description is also given of the test procedure and requirements. In some instances deviations from the IEC recommendation were necessary for our method of specifying. For inflammability requirements reference is made to IEC 115-1 and to CECC 40000, appendix D.

IEC 115-1 clause	IEC 68 test method	test	procedure	requirements
4.16		Robustness of terminations		
4.16.2	Ua	Tensile all samples	load 10 N, 10 s	number of failures < 10 ppm
4.16.3	Ub	Bending half number of samples	load 5 N, 4 x 90°	
4.16.4	Uc	Torsion other half number of samples	3 x 360° in opposite directions	no damage ΔR max. 0,25% + 0,05 Ω
4.17	Ta	Soldering	solderability: 2 s 230 °C, flux 600	good tinning no damage
4.18	Tb		thermal shock: 3 s 350 °C, 6 mm from body	ΔR max. 0,25% + 0,05 Ω
4.19	Na	Rapid change of temperature	½ h -55 °C/½ h + 155 °C 5 cycles	ΔR max. 0,25% + 0,05 Ω
4.22	Fc	Vibration	frequency 10-500 Hz, displacement 1,5 mm or acceleration 10g, three directions; total 6 h (3 x 2 h)	no damage ΔR max. 0,25% + 0,05 Ω
4.20	Eb	Bump	3 x 1500 bumps in three directions, 40g	no damage ΔR max. 0,25% + 0,05 Ω

IEC 115-1 clause	IEC 68 test method	test	procedure	requirements
4.23		Climatic sequence		
4.23.2	Ba	Dry heat	16 h; 155 °C	
4.23.3	D	Damp heat (accel) 1st cycle	24 h; 55 °C; 95-100% R.H.	
4.23.4	Aa	Cold	2 h; -55 °C	
4.23.5	M	Low air pressure	2 h; 8,5 kPa; 15-35 °C	
4.23.6	D	Damp heat (accel) remaining cycles	5 days; 55 °C; 95-100% R.H.	R_{ins} min. 1000 M Ω ΔR max. 1,0% + 0,05 Ω
4.24.2	Ca	Damp heat (steady state)	56 days; 40 °C; 90-95% R.H. dissipation 0,01P $_n$	R_{ins} min. 1000 M Ω ΔR max. 1,0% + 0,05 Ω
4.25.1	—	Endurance	1000 hours; 70 °C; nominal dissipation or V $_{max}$	ΔR max. 1,0% + 0,05 Ω
4.8.4.2	—	Temperature coefficient	between -55 °C and + 155 °C	NFR 30: $\leq 100 \cdot 10^{-6}/K$ NFR 25: $R > 15 \Omega$: $\leq 100 \cdot 10^{-6}/K$ $R \leq 15 \Omega$: $\leq 200 \cdot 10^{-6}/K$
4.7	—	Voltage proof on insulation	700 V (r.m.s.) 1 minute V block method	no breakdown
4.12	—	Noise	IEC publication 195	< 0,1 $\mu V/V$
4.6.1.1	—	Insulation resistance	500 V (r.m.s.) 1 minute V block method	min. 10 ⁴ M Ω
4.2.6	—	Accidental overload	cheese cloth	no inflammation

PACKAGING

The resistors are supplied on bandolier; either 1000 resistors in ammpack or 5000 resistors on reel.
For details see General section.

Dimensions of bandolier

type	a ± 0,5	A ± 1,5	B1-B2 ± max.	S (spacing)	T (max. deviation of spacing)
NFR25	6	52,5	1,2	5	} 1 mm per 10 spacings, 0,5 mm per 5 spacings
NFR30	6	52,5	1,2	5	

Dimensions of ammpack

	M	N	P
NFR25	82	28	262
NFR30	82	34	262

Dimensions of reel

	Q	V
NFR25	305	75
NFR30	356	75

METAL FILM — MR, MRS, MPR

METAL FILM RESISTORS

QUICK REFERENCE DATA

Resistance range	10 Ω to 100 k Ω , E24/E96 series		
Resistance tolerance	$\pm 1\%$		
Temperature coefficient	$\leq \pm 50 \cdot 10^{-6}/K$		
Nominal dissipation, P_n at $T_{amb} = 70^\circ C^*$	0,40 W		
Thermal resistance, R_{th}	170 K/W		
Noise			
$R \leq 68$ k Ω	max.	0,1 $\mu V/V$	
$R > 68$ k Ω	max.	0,5 $\mu V/V$	
Basic specifications	IEC 115-1 and 115-2		
Climatic category (IEC 68)	55/155/56		
Stability after			
load	$\Delta R/R$	max.	0,5% + 0,05 Ω
climatic tests	$\Delta R/R$	max.	0,5% + 0,05 Ω
soldering	$\Delta R/R$	max.	0,1% + 0,01 Ω

DESCRIPTION

A homogeneous film of metal alloy is deposited on a high grade ceramic body. After a helical groove has been cut in the resistive layer, tinned connecting wires of electrolytic copper are welded to the end-caps. The resistors are coated with a green lacquer which provides electrical, mechanical and climatic protection. The encapsulation is resistant to all cleaning solvents commonly used for printed wiring boards.

MECHANICAL DATA

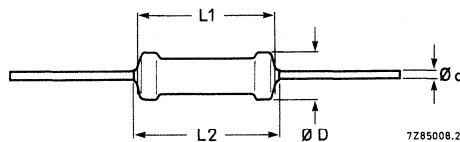


Fig. 1.

type and style	D	L1	L2 max	d
MRS16T	1,7 ^{+0,2} -0,1	3,5 ^{+0,2} -0,15	3,7	0,5 ^{+0,01} -0,04

* The maximum permissible hot-spot temperature is 155 $^\circ C$.

The length of the body (L_1 , see Fig. 1) is measured by inserting the leads into holes of two identical gauge plates and moving these plates parallel to each other until the resistor body is clamped without deformation (IEC publication 294). For leads of 0,5 mm diameter, the diameter of the holes in the gauge plates is 0,8 mm.

Mass 12,5 g per 100 resistors.

Mounting

The resistors are suitable for processing on automatic insertion equipment and cutting and bending machines. The minimum pitch is $2e$ (5 mm). See Fig. 3 for temperature rise at soldering place.

Marking

The nominal resistance and the tolerance are marked on the resistors by five coloured bands according to IEC publication 62 "Colour code for fixed resistors".

ELECTRICAL DATA

Standard values of rated resistance and tolerance

Standard values of rated resistance (nominal resistance) are taken from the E24/E96 series within the range 10 Ω to 100 k Ω . These values are given in the table "Standard series of values in a decade" according to IEC publication 63. The tolerance on the rated resistance is $\pm 1\%$.

The limiting voltage (r.m.s.) for resistor element and insulation is the maximum voltage that may be applied continuously to the resistor element or the insulation. See IEC publications 115-1 and 115-2. This voltage is 200 V.

type	packing	quantity	resistance range	tolerance $\pm \%$	catalogue number
MRS16T	ammopack	1000	10 Ω to 100 k Ω	1	2322 157 1....
	ammopack	5000	10 Ω to 100 k Ω	1	2322 157 2....
	on reel	5000	10 Ω to 100 k Ω	1	2322 157 3....

COMPOSITION OF THE CATALOGUE NUMBER

The catalogue number in the above is completed by inserting the resistance code: the first three figures of the resistance (in Ω) followed by:

- 9 for R = 10 to 99 Ω
- 1 for R = 100 to 999 Ω
- 2 for R = 1 to 9,9 k Ω
- 3 for R = 10 to 99 k Ω
- 4 for R = 100 k Ω

Example

The catalogue number of a resistor MRS16T of 750 $\Omega \pm 1\%$, on a bandolier of 1000 items, supplied in ammopack, is 2322 157 17501.

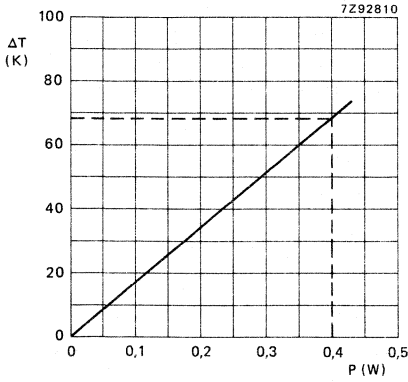


Fig. 2. Hot-spot temperature rise (ΔT) versus dissipated power.

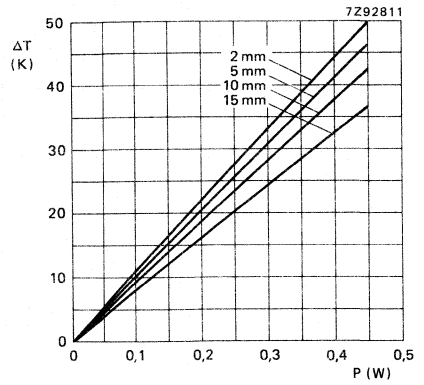


Fig. 3. Temperature rise (ΔT) at the end of lead (soldering point) versus dissipated power, at various lead lengths after mounting.

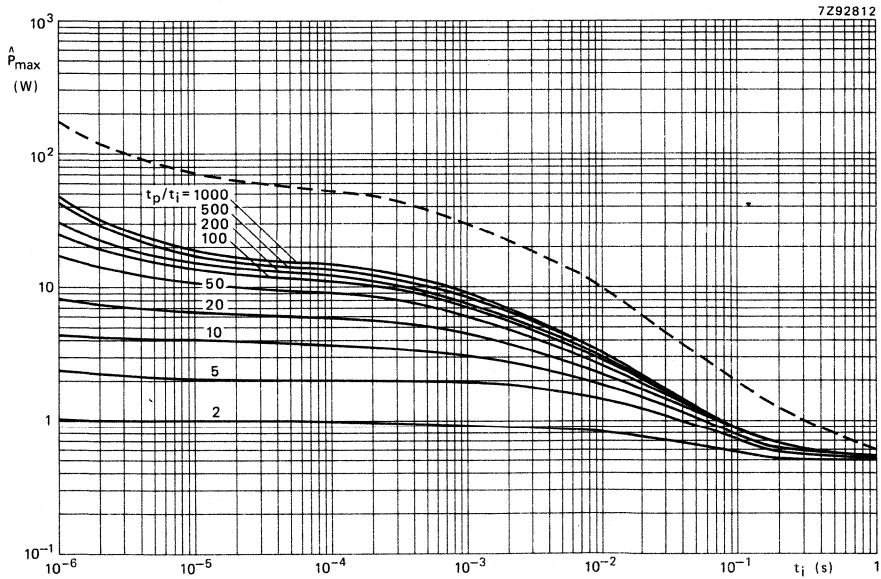


Fig. 4. Max. permissible peak pulse power (\hat{P}_{max}) versus pulse duration (t_i).

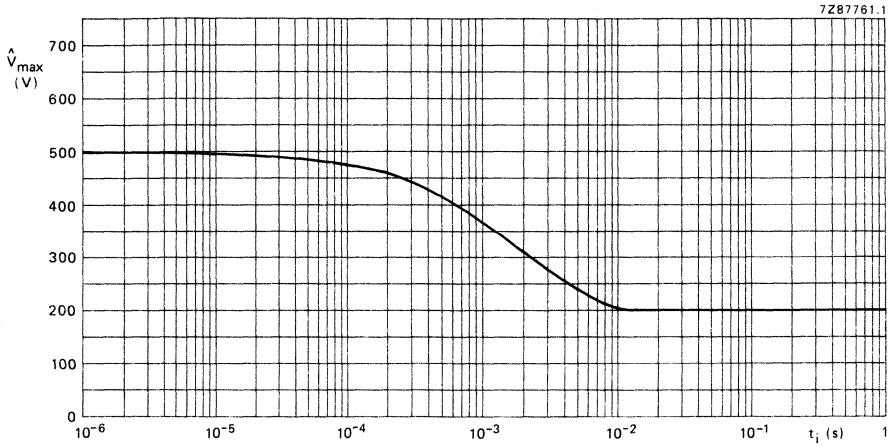


Fig. 5 Maximum permissible peak pulse voltage versus pulse duration.

TESTS AND REQUIREMENTS

Essentially all tests are carried out according to the schedule of IEC publication 115-1, category 55/155/56 (rated temperature range -55 to $+155$ °C: damp heat, long term, 56 days) are carried out and along the lines of IEC publication 68, "Recommended basic climatic and mechanical robustness testing procedure for electronic components". In the following table the tests are listed with reference to the relevant clauses of IEC publications 115-1 and 68; a short description is also given of the test procedure and requirements. In some instances deviations from the IEC specification were necessary for our method of specifying.

Table

IEC 115-1-4 clause	IEC 68 test method	test	procedure	requirements
4.16.2	Ua	Robustness of terminations Tensile all samples	ϕ 0,5 mm; load 5N; 10 s	} number of failures < 10 ppm
4.16.3	Ub	Bending half number of samples	ϕ 0,5 mm; load 2,5N; $4 \times 90^\circ$	
4.16.4	Uc	Torsion other half number of samples	$3 \times 360^\circ$ in opposite directions	
4.17	T _a	Soldering	solderability: 2 s 230 °C, flux 600	good tinning, no damage
4.18	T _b		thermal shock: 3 s 350 °C, 6 mm from body	ΔR max. 0,1% + 0,01 Ω

IEC 115-1-4 clause	IEC 68 test method	test	procedure	requirements
4.19	Na	Rapid change of temperature	½ h -55 °C/½ h + 155 °C 5 cycles	ΔR max. 0,1% + 0,01 Ω
4.20	Eb	Bump	3 x 1500 bumps in three directions, 40g	no damage ΔR max. 0,1% + 0,01 Ω
4.22	Fc	Vibration	frequency 10-500 Hz, displacement 1,5 mm or acceleration 10g, three directions; total 6 h (3 x 2 h)	no damage ΔR max. 0,1% + 0,01 Ω
4.23	Ba Db	Climatic sequence		
4.23.2		Dry heat	16 h, 155 °C	
4.23.3		Damp heat (accel) 1st cycle	24 h; 55 °C; 95-100% R.H.	
4.23.4		Aa	Cold 2 h; -55 °C	
4.23.5		M	Low air pressure 2 h; 8,5 kPa; 15-35 °C	
4.23.6		Db	Damp heat (accel) remaining cycles	5 days; 55 °C; 95-100% R.H.
4.24.2	Ca	Damp heat steady state	56 days; 40 °C; 90-95% R.H. dissipation 0,01 P _n	R _{ins} min. 1000 MΩ ΔR max. 0,5% + 0,05 Ω
4.25.1	—	Endurance	1000 hours; 70 °C nominal dissipation or V _{max}	ΔR max. 0,5% + 0,05 Ω
4.8.4.2	—	Temperature coefficient	between -55 °C and + 155 °C	≤ 50.10 ⁻⁶ /K
4.7	—	Voltage proof on insulation	400 V (r.m.s.) during 1 minute; V-block method	no breakdown
4.12	—	Noise	IEC publication 195	max.0,1 μV/V; R ≤ 68 kΩ max.0,5 μV/V; R > 68 kΩ
4.6.1.1	—	Insulation resistance	400 V (r.m.s.) 1 minute; V-block method	min. 10 ⁴ MΩ
See 2nd amendment to IEC 115-1 and present 40 central office 532 and 533		Pulse load		see Figs 4 and 5

PACKAGING

The resistors are supplied on bandolier; either 1000/5000 resistors in ammpack or 5000 resistors on reel.

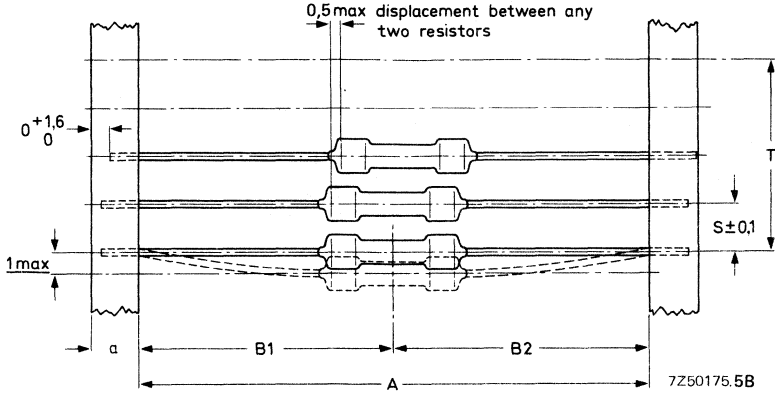


Fig. 6 Bandolier for MRS16T.

a ± 0,5	A ± 1,5	B1-B2 ± max.	S (spacing)	T (max. deviation of spacing)
6	52,5	0,5	5	} 1 mm per 10 spacings } 0,5 mm per 5 spacings


Dimensions of ammpack and reel.

Ampopack						Reel	
1000 pcs			5000 pcs			5000 pcs	
M	N	P	M	N	P	Q	V
75	30	140	75	73	270	265	75

METAL FILM RESISTORS



QUICK REFERENCE DATA

Resistance range	1 Ω to 1 M Ω , E24/E96 series	
Resistance tolerance	$\pm 1\%$	
Temperature coefficient		
R < 4,99 Ω	$\leq 100 \cdot 10^{-6}/K$	
R > 4,99 Ω	$\leq 50 \cdot 10^{-6}/K$	
Nominal dissipation P _n *	0,60 W	
Thermal resistance R _{th}	120 K/W	
Noise	max. 0,1 $\mu V/V$	
Basic specifications	IEC 115-1 and 115-2	
Climatic category (IEC 68)	55/155/56	
Approval		CECC 40101
Stability after		
load	$\Delta R/R$	max. 0,5% + 0,05 Ω
climatic tests	$\Delta R/R$	max. 0,5% + 0,05 Ω
soldering	$\Delta R/R$	max. 0,1% + 0,01 Ω

DESCRIPTION

A homogeneous film of metal alloy is deposited on a high grade ceramic body. After a helical groove has been cut in the resistive layer, tinned connecting wires of electrolytic copper are welded to the end-caps. The resistors are coated with a green lacquer which provides electrical, mechanical and climatic protection. The encapsulation is resistant to all cleaning solvents commonly used for printed-wiring boards.

MECHANICAL DATA

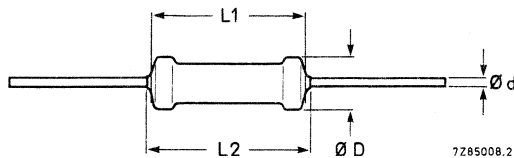


Fig. 1.

type	D _{max}	L1 max	L2 max	d
MRS25	2,5	6,5	7,0	0,6

The length of the body L1 is measured by inserting the leads into holes of two identical gauge plates and moving these plates parallel to each other until the resistor body is clamped without deformation (see IEC publication 294). For leads of 0,6 mm diameter, the diameter of the holes in the gauge plates is 1,0 mm.

* The maximum permissible hot-spot temperature is 155 °C (see Fig. 2).

Mass 25 g per 100 resistors

Mounting

The resistors are suitable for processing on automatic insertion equipment and cutting and bending machines. The minimum pitch for this type is 4e (10 mm). See for temperature rise at soldering place Fig. 3.

Marking

The nominal resistance, tolerance and temperature coefficient are marked on the resistors by six coloured bands according to IEC publication 62 "Colour code for fixed resistors".

ELECTRICAL DATA

Standard values of rated resistance and tolerance

Standard values of rated resistance (nominal resistance) are taken from the E24/E96 series within the range 1 Ω - 1 MΩ. Series of values is given in the table "Standard series of values in a decade" according to IEC publication 63. The tolerance on the rated resistance is 1%.

The limiting voltage (r.m.s.) for resistor element and insulation is the maximum voltage that may be applied continuously to the resistor element or the insulation, see IEC publication 115-1 and 115-2. This voltage is 350 V.

Table 1

type	packing	quantity	resistance range	tolerance ± %	catalogue number
MRS25	ammopack	1000	1 Ω to 1 MΩ	1	2322 156 1
		5000	1 Ω to 1 MΩ	1	2322 156 2
	on reel	5000	1 Ω to 1 MΩ	1	2322 156 3

COMPOSITION OF THE CATALOGUE NUMBER

The catalogue number in the above table is completed by inserting the resistance code: the first three figures of the resistance (in Ω), followed by:

- 8 for R = 1 to 9,76 Ω
- 9 for R = 10 to 97,6 Ω
- 1 for R = 100 to 976 Ω
- 2 for R = 1 to 9,76 kΩ
- 3 for R = 10 to 97,6 kΩ
- 4 for R = 100 to 976 kΩ
- 5 for R = 1 MΩ

Example

The catalogue number of a resistor MRS25 of 750 Ω ± 1%, on a bandolier of 1000 items, supplied in ammpack, is 2322 156 17501.

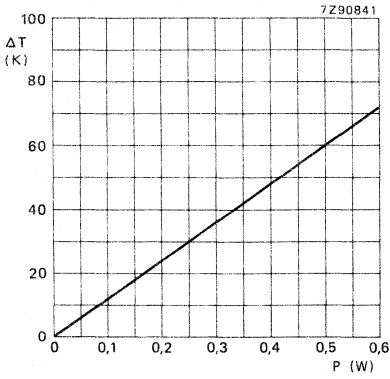


Fig. 2 Hot-spot temperature rise (ΔT) versus dissipated power

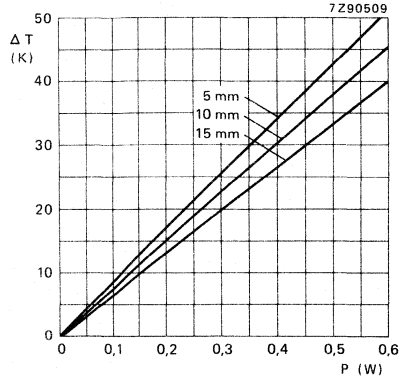


Fig. 3 Temperature rise (ΔT) at the end of the lead (soldering point) versus dissipated power, at various lead lengths after mounting.

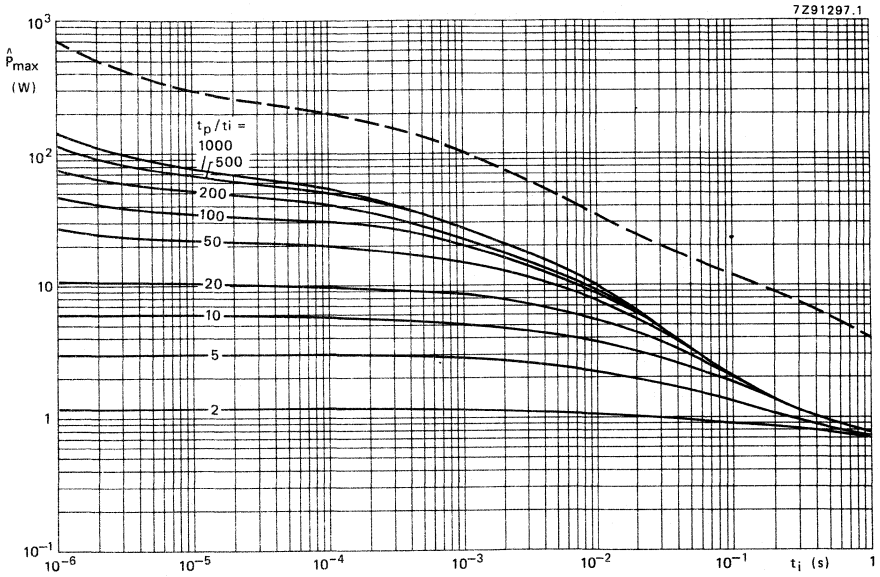


Fig. 4 Max. permissible peak pulse power (\hat{P}_{max}) versus pulse duration (t_i).

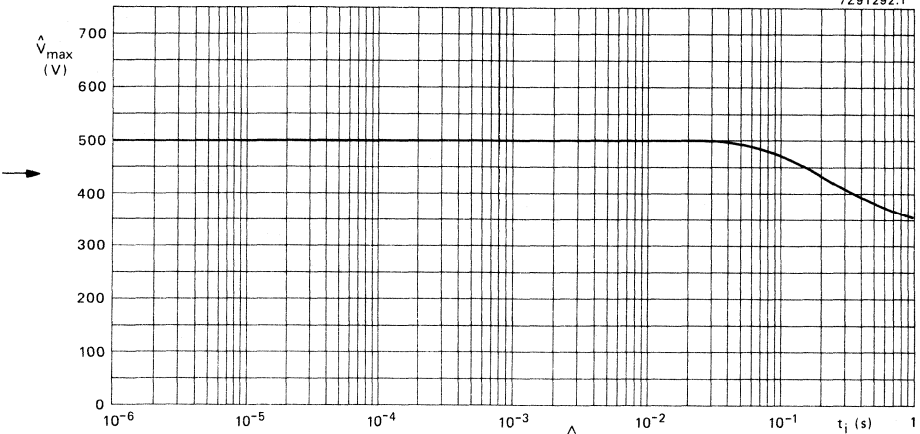


Fig. 5 Max. permissible peak pulse voltage (\hat{V}_{max}) versus pulse duration (t_i).

TESTS AND REQUIREMENTS

Essentially all tests are carried out according to the schedule of IEC publication 115-1, category 55/155/56 (rated temperature range -55 to $+155$ °C; damp heat, long term, 56 days) and along the lines of IEC publication 68, "Recommended basic climatic and mechanical robustness testing procedure for electronic components". In the following table the test are listed with reference to the relevant clauses of IEC publications 115-1 and 68; a short description is also given of the test procedure and requirements. In some instances deviations from the IEC recommendation were necessary for our method of specifying.

Table 2

IEC 115-1-4 clause	IEC 68 test method	test	procedure	requirements
4.16.2	Ua	Robustness of terminations Tensile all samples	ϕ 0,6 mm; load 10N; 10 s	number of failures < 10 ppm no damage ΔR max. 0,1% + 0,01 Ω
4.16.3	Ub	Bending half number of samples	ϕ 0,6 mm; load 5N; 4 x 90°	
4.16.4	Uc	Torsion other half number of samples	3 x 360° in opposite directions	
4.17	T _a	Soldering	solderability: 2 s 230 °C, flux 600	good tinning, no damage
4.18	T _b		thermal shock: 3 s 350 °C, 6 mm from body	ΔR max. 0,1% + 0,01 Ω

IEC 155-1-4 clause	IEC 68 test method	test	procedure	requirements
4.19	Na	Rapid change of temperature	½ h -55 °C/½ h + 155 °C 5 cycles	ΔR max. 0,1% + 0,01 Ω
4.20	Eb	Bump	3 x 1500 bumps in three directions, 40g	no damage ΔR max. 0,1% + 0,01 Ω
4.22	Fc	Vibration	frequency 10-500 Hz, displacement 1,5 mm or acceleration 10g, three directions; total 6 h (3 x 2 h)	no damage ΔR max. 0,1% + 0,01 Ω
4.23		Climatic sequence		
4.23.2	Ba	Dry heat	16 h, 155 °C	
4.23.3	Db	Damp heat (accel) 1st cycle	24 h; 55 °C; 95-100% R.H.	
4.23.4	Aa	Cold	2 h; -55 °C	
4.23.5	M	Low air pressure	2 h; 8,5 kPa; 15-35 °C	
4.23.6	D _b	Damp heat (accel) remaining cycles	5 days; 55 °C; 95-100% R.H.	R_{ins} min. 1000 M Ω ΔR max. 0,5% + 0,05 Ω
4.24.2	Ca	Damp heat steady state	56 days; 40 °C; 90-95% R.H. dissipation 0,01 P _n	R_{ins} min. 1000 M Ω ΔR max. 0,5% + 0,05 Ω
4.25.1	--	Endurance	1000 hours; 70 °C nominal dissipation or V _{max}	ΔR max. 0,5% + 0,05 Ω
4.8.4	--	Temperature coefficient	between -55 °C and + 155 °C	$R < 4,99 \Omega \leq 100 \cdot 10^{-6}/K$ $R \geq 4,99 \Omega \leq 50 \cdot 10^{-6}/K$
4.7	--	Voltage proof on insulation	500 V (r.m.s.) during 1 minute; V-block method	no breakdown
4.12	--	Noise	IEC publication 195	max. 0,1 $\mu V/V$
4.6.1.1	--	Insulation resistance	500 V (r.m.s.) during 1 minute; V-block method	min. 10 ⁴ M Ω
See 2nd amendment to IEC 115-1 and TC40 central office 532 and 533		Pulse-load		see Fig. 4 and 5

PACKAGING

The resistors are supplied on bandolier; either 1000/5000 resistors in ammopack or 5000 resistors on reel. For details see General section.

Dimensions of bandolier

type	a ± 0,5	A ± 1,5	B1-B2 ± max.	S (spacing)	T (max. deviation of spacing)
MRS25	6	52,5	1,2	5	1 mm per 10 spacings 0,5 mm per 5 spacings

Dimensions of ammopack

	M	N	P
→ 1000 resistors	82	28	262
5000 resistors	78	98	270

Dimensions of reel

	Q	V
5000 resistors	305	73

DEVELOPMENT DATA

This data sheet contains advance information and specifications are subject to change without notice.

MRS16Tli
MRS25li

METAL FILM RESISTORS

low-inductance versions

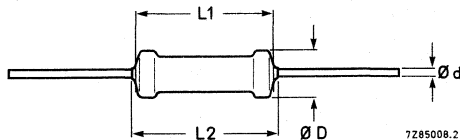
QUICK REFERENCE DATA

Type	MRS16Tli	MRS25li
Resistance range, E24/96 series	6,8 Ω to 1 kΩ	5,1 Ω to 1 kΩ
Resistance tolerance	± 1%	± 1%
Temperature coefficient	≤ 50. 10 ⁻⁶ /K	≤ 50. 10 ⁻⁶ /K
Nominal dissipation, P _N at T _{amb} = 70 °C*	0,4 W	0,6 W
Thermal resistance, R _{th}	170 K/W	120 K/W
Noise	max. 0,1 μV/V	
Basic specifications	IEC 115-1 and 115-2	
Climatic category (IEC 68)	55/155/56	
Stability after load	ΔR/R max.	0,5% + 0,05 Ω
climatic tests	ΔR/R max.	0,5% + 0,05 Ω
soldering	ΔR/R max.	0,1% + 0,01 Ω

DESCRIPTION

A homogeneous film of metal alloy is deposited on a high grade ceramic body. After a helical groove (max. 2 turns) has been cut in the resistive layer, tinned connecting wires of electrolytic copper are welded to the endcaps. The resistors are coated with a green lacquer which provides electrical, mechanical and climatic protection. The encapsulation is resistant to all cleaning solvents commonly used for printed wiring boards.

MECHANICAL DATA



type and style	D	L	L2 max.	d
MRS16Tli	1,7 ^{+0,2} -0,1	3,5 ^{+0,2} -0,15	3,7	0,5 -0,04
MRS25li	2,5 max.	6,5 max.	7,0	0,6 ± 0,03

* The maximum permissible hot-spot temperature is 155 °C.

MRS16Tli MRS25li

The length of the body (L1, see Fig. 1) is measured by inserting the leads into holes of two identical gauge plates and moving these plates parallel to each other until the resistor body is clamped without deformation (IEC publication 294). For leads of 0,5 mm diameter, the diameter of the holes in the gauge plates is 0,8 mm. For leads of 0,6 mm diameter, the holes are 1,0 mm.

Mass

MRS16Tli: 12,5 g per 100 resistors

MRS25li : 25 g per 100 resistors

Mounting

The resistors are suitable for processing on automatic insertion equipment and cutting and bending machines. The minimum pitch is 2e (5 mm) for MRS16Tli and 4e (10 mm) for MRS25li

– Temperature rise (ΔT) of the resistor-body as a function of the dissipation See Fig. 2

– Temperature rise (ΔT) at the end of lead (soldering place) as a function of the dissipation See Fig. 3

Marking

The nominal resistance and the tolerance are marked on the resistors either by five coloured bands (MRS16Tli) or six coloured bands (MRS25li) according to IEC publication 62 "Colour code for fixed resistors".

ELECTRICAL DATA

Standard values of rated resistance and tolerance

Standard values of rated resistance (nominal resistance) are taken from the E24/E96 series within the range of 6,8 Ω to 1 k Ω for MRS16Tli and 5,1 Ω to 1 k Ω for MRS25li. These values are given in the table "Standard series of values in a decade" according to IEC publication 63. The tolerance on the rated resistance is $\pm 1\%$.

The limiting voltage (r.m.s.) for resistor element and insulation is the maximum voltage that may be applied continuously to the resistor element or the insulation. See IEC publications 115-1 and 115-2. This voltage is 200 V for MRS16Tli and 350 V for MRS25li.

High-frequency behaviour

The behaviour of a resistor at high frequencies is influenced not only by its construction, but also by external factors such as length of leads, environmental stray capacitances and the measuring apparatus. Thus these factors have to be considered when measuring.

Figs 6 and 7 give typical values under test conditions at various frequencies up to 1,3 GHz.

type	packing	quantity	resistance range	tolerance $\pm \%$	catalogue number
MRS16Tli	ammopack	1000	6,8 Ω to 1 k Ω	1	2322 157 0
MRS25li	ammopack	1000	5,1 Ω to 1 k Ω	1	2322 156 0

COMPOSITION OF THE CATALOGUE NUMBER

The catalogue number in the above is completed by inserting the resistance code: the first three figures of the resistance (in Ω) followed by: 8 for R up to 9,76 Ω ; 9 for R = 10 to 97,6 Ω ; 1 for R = 100 to 976 Ω and 2 for R = 1 k Ω .

Example

The catalogue number of a resistor MRS16Tli of 750 $\Omega \pm 1\%$, on a bandolier of 1000 items, supplied in ammopack, is 2322 157 07501.

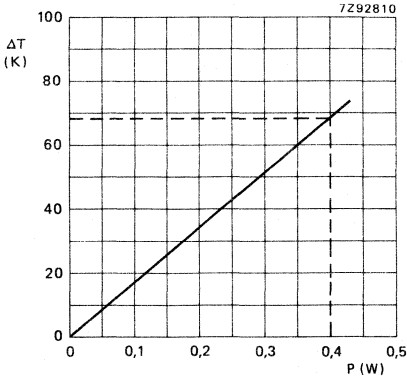


Fig. 2a Hot-spot temperature rise (ΔT) versus dissipated power, MRS16Tli.

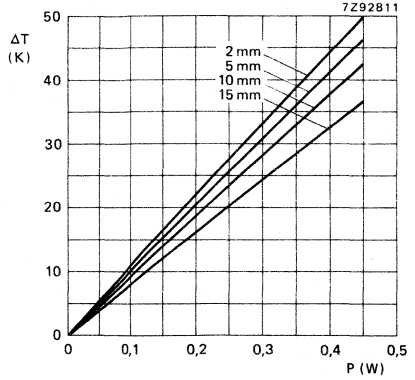


Fig. 3a Temperature rise (ΔT) at the end of lead (soldering point) versus dissipated power, at various lead lengths after mounting, MRS16Tli.

DEVELOPMENT DATA

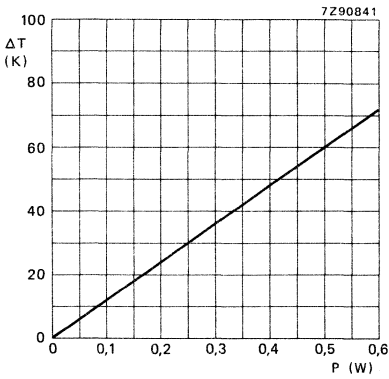


Fig. 2b Hot-spot temperature rise (ΔT) versus dissipated power, MRS25li.

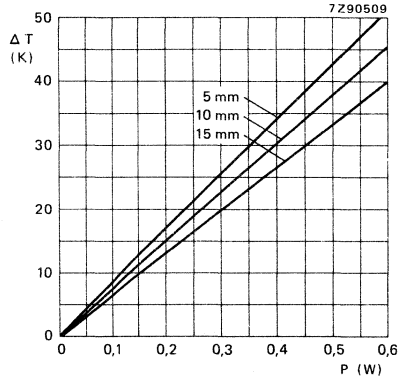


Fig. 3b Temperature rise (ΔT) at the end of the lead (soldering point) versus dissipated power, at various lead lengths after mounting, MRS25li.

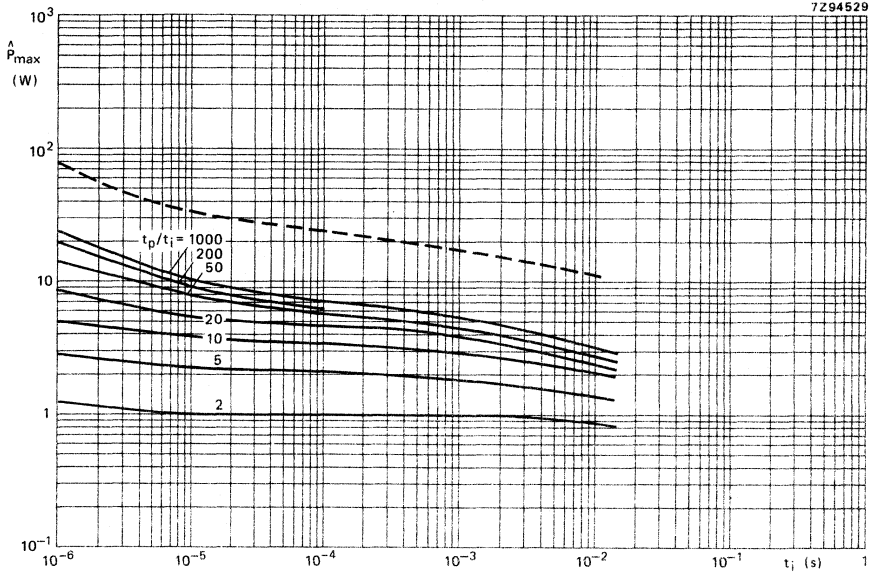


Fig. 4a Max. permissible peak pulse power (\hat{P}_{max}) versus pulse duration (t_i), MRS16Tli.

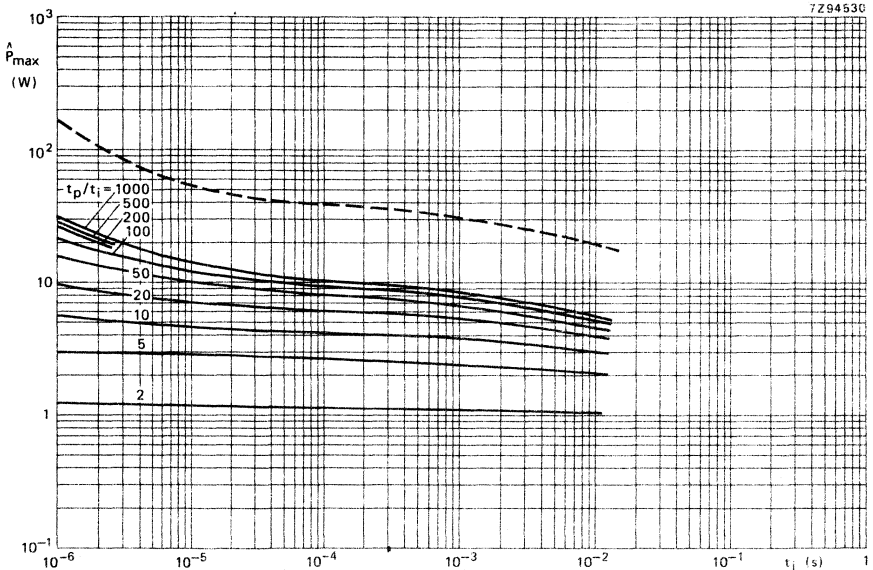


Fig. 4b Max. permissible peak pulse power (\hat{P}_{max}) versus pulse duration (t_i), MRS25li.

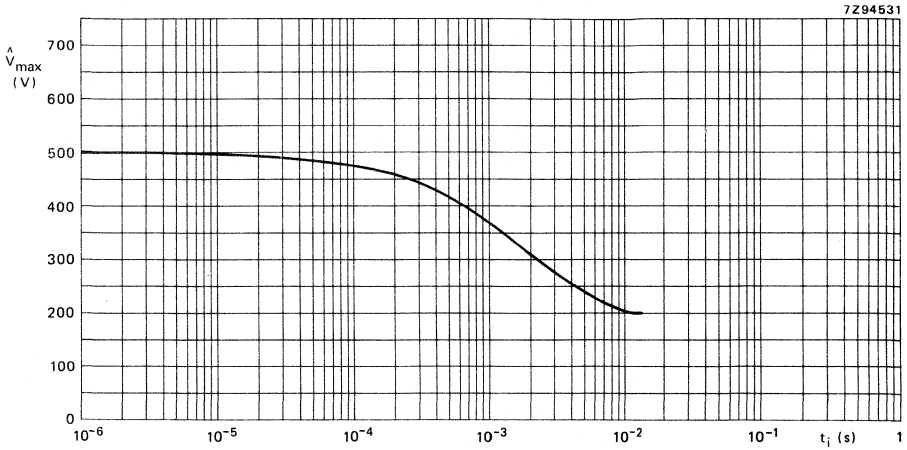


Fig. 5a Maximum permissible peak pulse voltage versus pulse duration, MRS16Tli.

DEVELOPMENT DATA

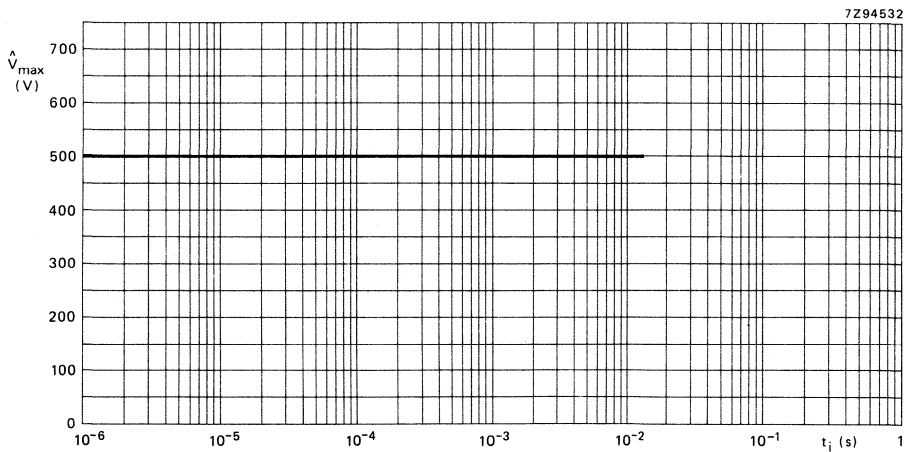


Fig. 5b Max. permissible peak pulse voltage (\hat{V}_{max}) versus pulse duration (t_i), MRS25li.

TESTS AND REQUIREMENTS

Essentially all tests are carried out according to the schedule of IEC publication 115-1, category 55/155/56 (rated temperature range -55 to + 155 °C: damp heat, long term, 56 days) are carried out and along the lines of IEC publication 68, "Recommended basic climatic and mechanical robustness testing procedure for electronic components". In the following table the tests are listed with reference to the relevant clauses of IEC publications 115-1 and 68; a short description is also given of the test procedure and requirements. In some instances deviations from the IEC specification were necessary for out method of specifying.

Table

IEC 115-1-4 clause	IEC 68 test method	test	procedure	requirements
4.16.2	Ua	Robustness of terminations Tensile all samples	ϕ 0,5 mm; load 5N; 10 s ϕ 0,6 mm; load 10N; 10 s	number of failure < 10 ppm
4.16.3	Ub	Bending half number of samples	ϕ 0,5 mm; load 2,5N; 4 x 90° ϕ 0,6 mm; load 5N; 4 x 90°	
4.16.4	Uc	Torsion other half number of samples	3 x 360° in opposite directions	
4.17	Ta	Soldering	solderability: 2 s 230 °C, flux 600	good tinning, no damage ΔR max. 0,1% + 0,01 Ω
4.18	Tb		thermal shock: 3 s 350 °C, 6 mm from body	
4.19	Na	Rapid change of temperature	½ h -55 °C/½ h + 155 °C 5 cycles	ΔR max. 0,1% + 0,01 Ω
4.20	Eb	Bump	3 x 1500 bumps in three directions, 40g	no damage ΔR max. 0,1% + 0,01 Ω
4.22	Fc	Vibration	frequency 10-500 Hz, displacement 1,5 mm or acceleration 10g, three directions; total 6 h (3 x 2 h)	no damage ΔR max. 0,1% + 0,01 Ω

IEC 115-1-4 clause	IEC 68 test method	test	procedure	requirements
4.23		Climatic sequence		
4.23.2	Ba	Dry heat	16 h, 155 °C	
4.23.3	Db	Damp heat (accel)		
		1st cycle	24 h; 55 °C; 95-100% R.H.	
4.23.4	Aa	Cold	2 h; -55 °C	
4.23.5	M	Low air pressure	2 h; 8,5 kPa; 15-35 °C	
4.23.6	Db	Damp heat (accel) remaining cycles	5 days; 55 °C; 95-100% R.H.	R_{ins} min. 1000 M Ω ΔR max. 0,5% + 0,05 Ω
4.24.2	Ca	Damp heat	56 days; 40 °C; 90-95% R.H.	R_{ins} min. 1000 M Ω ΔR max. 0,5% + 0,05 Ω
4.25.1	—	Endurance	1000 hours; 70 °C nominal dissipation or V_{max}	ΔR max. 0,5% + 0,05 Ω
4.8.4.2	—	Temperature coefficient	between -55 °C and + 155 °C	$\leq 50 \cdot 10^{-6}/K$
4.7	—	Voltage proof on insulation	400 V (r.m.s.) MRS16Tli 500 V (r.m.s.) MRS25li during 1 minute; V-block method	no breakdown
4.12	—	Noise	IEC publication 195	max. 0,1 $\mu V/V$
4.6.1.1	—	Insulation resistance	400 V (r.m.s.) MRS16Tli 500 V (r.m.s.) MRS25li 1 minute; V-block method	min. 10 ⁴ M Ω
See 2nd amendment to IEC 115-1 and present 40 central office 532 and 533		Pulse load		see Figs 4 and 5

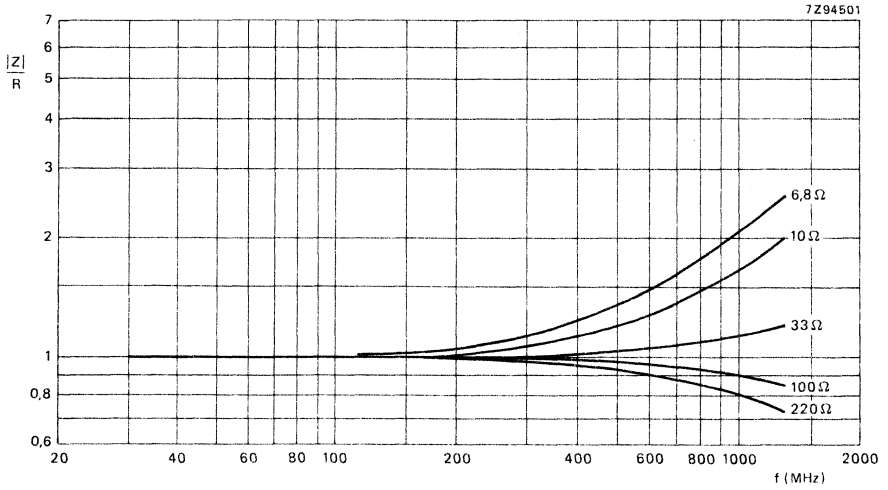


Fig. 6a Impedance behaviour at high frequencies, MRS16Tli, lead length 2 mm.

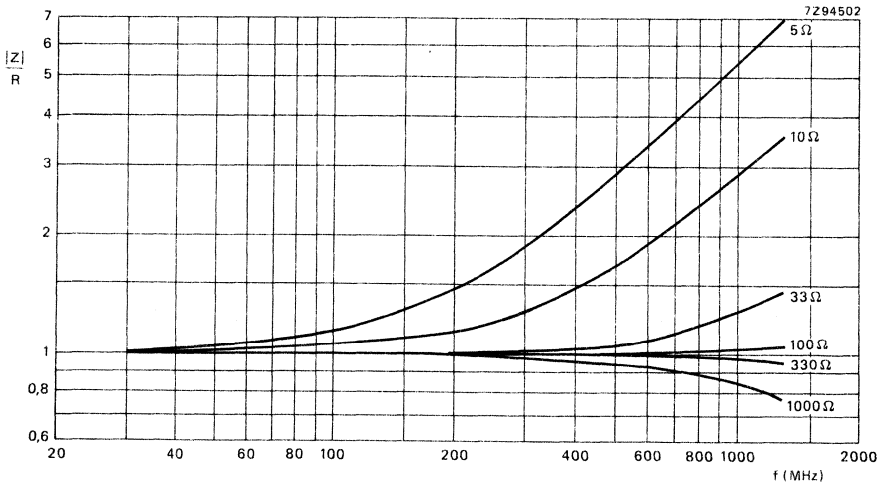


Fig. 6b Impedance behaviour at high frequencies, MRS25li, lead lengths 4 mm.

DEVELOPMENT DATA

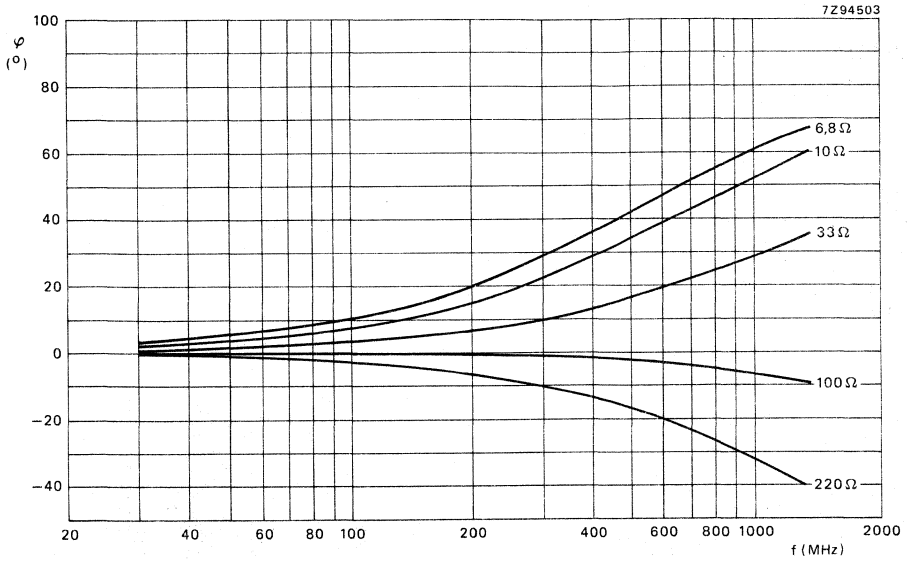


Fig. 7a Phase angle behaviour at high frequencies, MRS16Tli, lead length 2 mm.

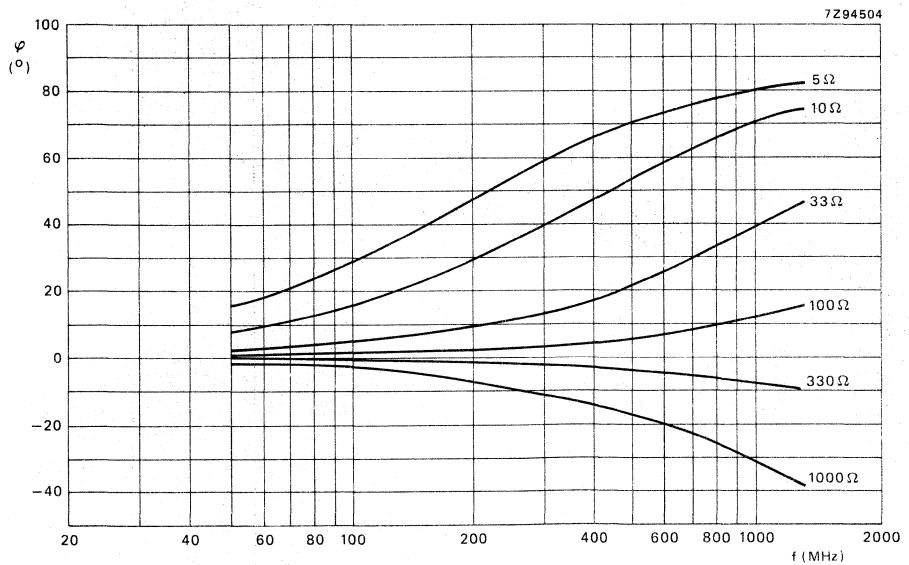


Fig. 7b Phase angle behaviour at high frequencies, MRS25li, lead length 4 mm.

PACKAGING

The resistors are supplied on bandolier; 1000 resistors in ammpack

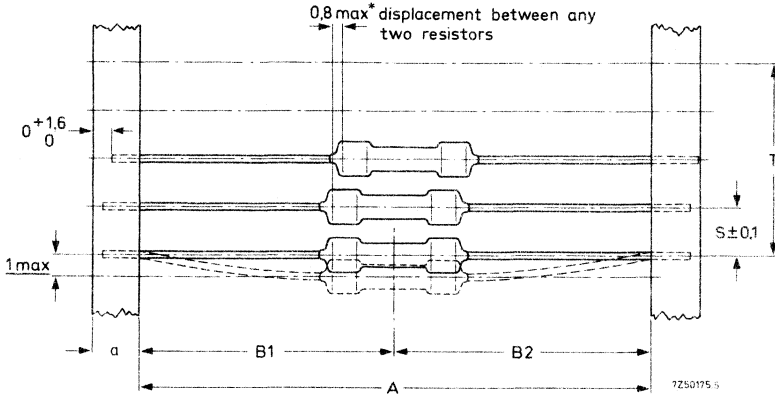


Fig. 8 Dimensions of bandolier

type	a $\pm 0,5$	A $\pm 1,5$	B1-B2 $\pm \text{max.}$	S (spacing)	T (max. deviation of spacing)
MRS16Tli	6	52,5	0,5	5	1 mm per 10 spacings 0,5 mm per 5 spacings
MRS25li	6	52,5	1,2	5	

Dimensions of ammpack

type	M	N	P
MRS16Tli	75	30	140
MRS25li	82	28	262

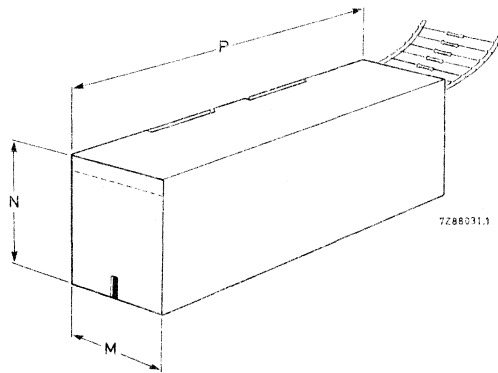


Fig. 9 Bandolier in ammpack.

* 0,5 max. for type MRS16Tli.

METAL FILM RESISTORS



QUICK REFERENCE DATA

Type	MR25	MR30	MR52
Resistance range	1 Ω to 1 M Ω	1 Ω to 1 M Ω	4,99 Ω to 1 M Ω
Series	E192; E24; E96	E24; E96	E24; E96
Resistance tolerance	$\pm 0,5\%$; $\pm 1\%$; $\pm 2\%$	$\pm 0,5\%$; $\pm 1\%$; $\pm 2\%$	$\pm 1\%$
Temperature coefficient	$\pm 50 \cdot 10^{-6}/K$	$\pm 50 \cdot 10^{-6}/K$	$\pm 50 \cdot 10^{-6}/K$
Absolute max. dissipation at $T_{amb} = 70^\circ C$	0,4 W	0,5 W	1 W
Basic specification	IEC 115-1		
Climatic category (IEC 68)	55/155/56		
Approval	CECC 40101		
Stability after			
load	$\Delta R/R$ see nomogram		
climatic tests	$\Delta R/R$ max. 0,5% + 0,05 Ω		
soldering	$\Delta R/R$ max. 0,1% + 0,01 Ω		
short time overload	$\Delta R/R$ max. 0,25% + 0,05 Ω		

APPLICATION

For use in professional equipment: computers, telecom, measuring, etc.

DESCRIPTION

A homogeneous film of metal alloy is deposited on a high grade ceramic body. After a helical groove has been cut in the resistive layer, tinned connecting wires of electrolytic copper are welded to the end-caps. The resistors are coated with layers of green lacquer which provides electrical, mechanical and climatic protection. The encapsulation is resistant to all cleaning solvents according to MIL-STD 202E, method 215 and IEC 68-2-45.

MECHANICAL DATA

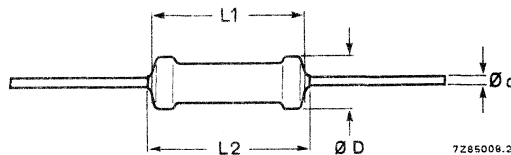


Fig. 1 This standard version is specially made to obtain a minimum "clean lead to clean lead" dimension L2.

Table 1

type	D_{max}	$L1_{max}$	$L2_{max}$	d
MR25	2,5	6,5	7,5	0,6
MR30	3,0	10,0	11,0	0,6
MR52	5,2	16,5	17,5	0,6

* Dissipation at $T_{amb} = 70^\circ C$ which causes the maximum permissible hot-spot temperature of $175^\circ C$ to occur, irrespective of the resistance drift provoked by this condition.

The length of the body is measured by inserting the leads into the holes of two identical gauge plates and moving these plates parallel to each other until the resistor body is clamped without deformation (IEC publication 294). For leads of 0,5 mm dia the diameter of the holes in the gauge plate is 0,8 mm and for leads of 0,6 mm dia these holes are 1,0 mm dia.

Mass

type MR25 : 25 g per 100 resistors

MR30 : 32 g per 100

MR52 : 92 g per 100

Mounting

The resistors are suitable for processing an automatic insertion equipment and cutting and bending machines.

Marking

The nominal resistance and tolerance are marked on the resistors by four or six coloured bands according to IEC publication 62 "Colour code for fixed resistors". Four bands are used for resistors with a 2% tolerance: 2 for the resistance value, 1 for multiplier and 1 red for tolerance.

Six bands are used for resistors with either 1% or 0,5% tolerance: 3 for resistance value, 1 for multiplier, 1 for tolerance and 1 for the temperature coefficient.

See General Section.

ELECTRICAL DATA

Standard values of rated resistance and tolerance

Standard values of rated resistance (nominal resistance) are taken from the E24 series for resistors with a tolerance of $\pm 2\%$, from E24/E96 series for $\pm 1\%$ and from the E192 series for $\pm 0,5\%$. The values of these series are given in the table "Standard series of values in a decade" at the back of the handbook. The limiting voltage (r.m.s.) for resistor element and insulation is the maximum voltage that may be applied continuously to the resistor element or the insulation. See IEC publication 115-1 and 115-2.

Table 2

type	packing	quantity	resistance range	tol. %	series	temp. coefficient $\cdot 10^{-6}/K$	limiting voltage V	catalogue number 2322 followed by:
MR25	ammopack	1000	1 Ω to 1 M Ω	0,5	E192	$\pm 50^*$	250	151 7....
				1	E24/96			151 5....
		2		E24	151 4....			
	(26 mm) reel	5000		1	E24/96			151 8....
				2	E24			154 1....
		2000		1	E24/96			154 0....
				1	E24/96			151 2....
				2	E24			151 1....
5000								
MR30	ammopack	1000	1 Ω to 1 M Ω	0,5	E192	$\pm 50^*$	350	152 7....
				1	E24/96			152 5....
		2		E24	152 4....			
	reel	5000		1	E24/96			152 2....
		2	E24	152 1....				
MR52	ammopack	1000	4,99 Ω to 1 M Ω	1	E24/96	± 50	500	153 5....

COMPOSITION OF THE CATALOGUE NUMBER

The catalogue number in the above table is completed by inserting the resistance code: the first three figures of the resistance in Ω followed by

8 for R = 1 to 9,76 Ω

9 for R = 10 to 97,6 Ω (see note)

1 for R = 100 to 976 Ω

2 for R = 1 to 9,76 k Ω

3 for R = 10 to 97,6 k Ω

4 for R = 100 to 976 k Ω

5 for R = 1 M Ω

Example: the catalogue number of a resistor

MR25 of 3650 $\Omega \pm 1\%$ in ammpack of 1000 is

2322 151 53652

Note

The composition of catalogue number is not applicable for R = 49,9 Ω the relevant catalogue numbers will be indicated on request.

* For R < 4,99 Ω : 100.10⁻⁶/K.

DISSIPATION AND STABILITY

The stability as a function of dissipation and ambient temperature is indicated in the performance nomogram of Fig. 2.

Notes on nomogram

1. It should not be extended beyond the maximum permissible hot-spot temperature of 175 °C.
2. The change in resistance for $P = 0$ at a particular ambient temperature is indicative for the shelf-life stability of a resistor at that temperature.
3. The stability lines do not give exact values of $\Delta R/R$ but represent a probability of 95% that the actual values will be smaller than those obtained from the nomogram.
4. The limiting voltage has not been taken into consideration.

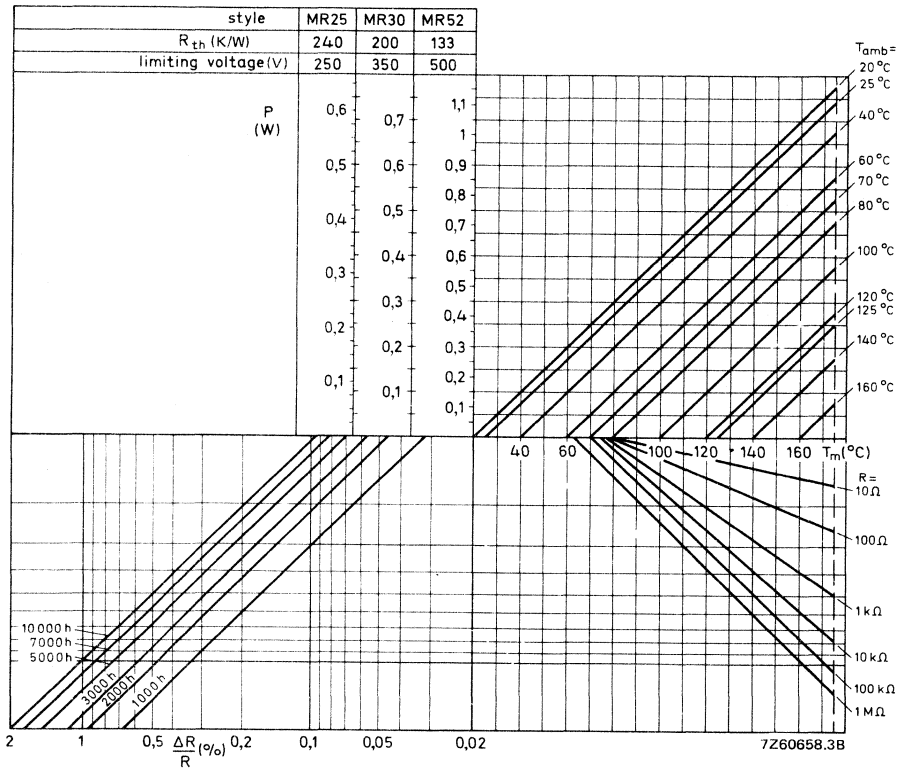


Fig. 2 Performance nomogram for different styles of resistor, showing the relationship between power dissipation P , ambient temperature T_{amb} , hot-spot temperature (T_m) and max. resistance drift $\Delta R/R$ after 1000 to 10 000 hours of operation.

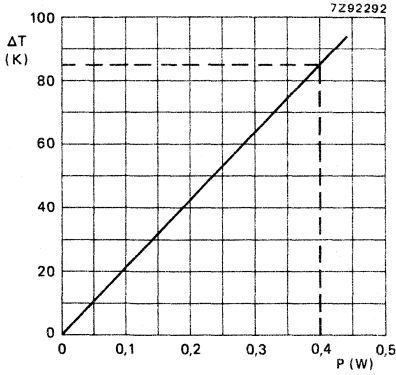


Fig. 3 MR25. Hot-spot temperature rise (ΔT) versus dissipated power.

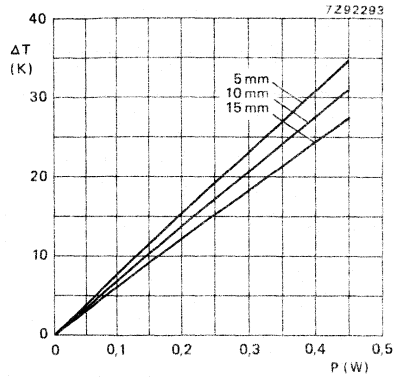


Fig. 4 MR25. Temperature rise (ΔT) at the end of lead (soldering point) versus dissipated power, at various lead lengths after mounting.

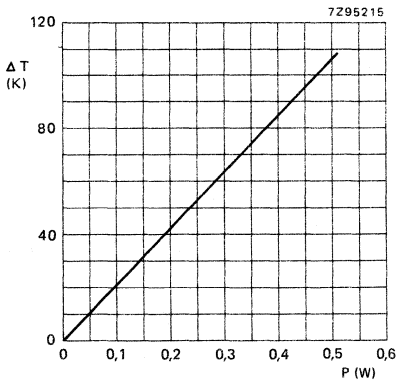


Fig. 5 MR30. Hot-spot temperature rise (ΔT) versus dissipated power.

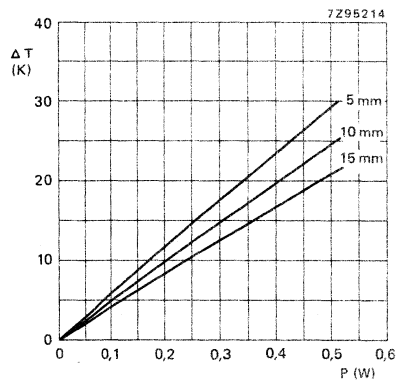


Fig. 6 MR30. Temperature rise (ΔT) at the end of lead (soldering point) versus dissipated power, at various lead lengths after mounting.

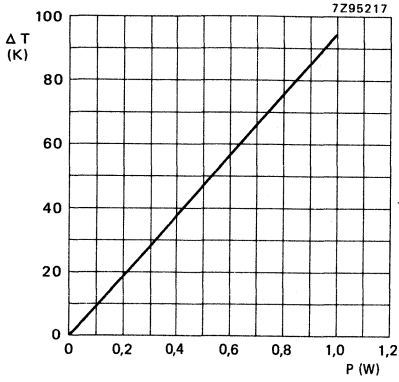


Fig. 7 MR52. Hot-spot temperature rise (ΔT) versus dissipated power.

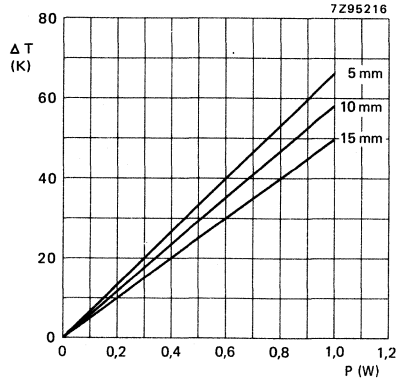


Fig. 8 MR52. Temperature rise (ΔT) at the end of lead (soldering point) versus dissipated power, at various lead lengths after mounting.

TESTS AND REQUIREMENTS

Essentially all tests are carried out according to the schedule of IEC publication 115-1, category 55/155/56 (rated temperature range -55 to $+155$ °C, damp heat, long term, 56 days) are carried out along the lines of IEC publication 68, "Recommended basic climatic and mechanical robustness testing procedure for electronic components". In the following table the tests are listed with reference to the relevant clauses of IEC publications 115-1 and 68; a short description is also given of the test procedure and requirements. In some instances deviations from the IEC specification were necessary for our method of specifying.

Table 3

IEC 115-1 clause	IEC 68 test method	test	procedure	requirements
4.16		Robustness of terminations		
4.16.2	Ua	Tensile all samples	load 10 N, 10 s	} number of failures < 10 ppm
4.16.3	Ub	Bending half number of samples	load 5 N, 4 x 90°	
4.16.4	Uc	Torsion other half number of samples	3 x 360° in opposite directions	
4.17	Ta	Soldering	solderability: 2 s 230 °C, flux 600	good tinning no damage
4.18	Tb		thermal shock: 3 s. 350 °C, 6 mm from body	ΔR max. 0,1% + 0,01 Ω
4.19	Na	Rapid change of temperature	$\frac{1}{2}$ h -55 °C/ $\frac{1}{2}$ h $+155$ °C, 5 cycles	ΔR max. 0,1% + 0,01 Ω
4.22	Fc	Vibration	frequency 10-500 Hz, displacement 1,5 mm or acceleration 10g, three directions; total 6 h	no damage ΔR max. 0,1% + 0,01 Ω
4.20	Eb	Bump	3 x 1500 bumps in three directions, 40g	no damage ΔR max. 0,1% + 0,01 Ω

Table 3 (continued)

IEC 115-1 clause	IEC 68 test method	test	procedure	requirements
4.23		Climatic sequence		
4.23.2	B	Dry heat	16 h; 155 °C	
4.23.3	D	Damp heat (accel.) 1st cycle	24 h; 55 °C; 95-100% R.H.	
4.23.4	Aa	Cold	2 h; -55 °C	
4.23.5	M	Low air pressure	1 h; 8,5 kPa; 15-35 °C	
4.23.6	D	Damp heat (accel.) remaining cycles	5 days; 55 °C; 95-100% R.H.	R_{ins} min. 1000 M Ω ΔR max. 0,5% + 0,05 Ω
4.24.2	Ca	Damp heat (long-term exposure)	56 days; 40 °C; 90-95% R.H. dissipation: MR25: $\leq 2,5$ mW MR30: ≤ 3 mW MR52: ≤ 5 mW	R_{ins} min. 1000 M Ω ΔR max. 0,5% + 0,05 Ω
4.25.1	—	Endurance	1000 h: 70 °C: dissipation: MR25: 0,25 W MR30: 0,3 W MR52: 0,45 W } or V_{max}	ΔR max. 0,5% + 0,05 Ω
4.8.4.2	—	Temperature coefficient	between -55 °C and + 155 °C	$\pm 50 \cdot 10^{-6}/K$
4.7	—	Voltage proof	2 x limiting voltage (a.c.) with a maximum of 750 V (r.m.s.)	no breakdown
4.12	—	Noise	IEC publication 195 $R \leq 100$ k Ω $R > 100$ k Ω	max. 0,25 $\mu V/V$ max. 0,5 $\mu V/V$
4.6.1.1	—	Insulation resistance		min. 10 ⁴ M Ω
4.13	—	Short-time overload	$T_{amb} = 25$ °C dissipation 6,25 x P_{nom} voltage ≤ 2 x limiting voltage 10 cycles: 5 s on - 45 s off	ΔR max. 0,25% + 0,05 Ω

PACKAGING

For details see General section.

The resistors are supplied on bandolier; either in ammpack or on reel, see Table 2.

Dimensions of bandolier

type	a	A	B1 – B2 ± max.	S (spacing)	T (max. deviation of spacing)
MR25	6 ± 0,5	52,4 ± 1,5	1,2	5	1 mm per 10 spacings, 0,5 mm per 5 spacings
MR25 on 26 mm bandolier	6 ± 0,5	26,0 ± 1,5	1,0	5	
MR30	6 ± 0,5	52,4 ± 1,5	1,2	5	
MR52	6 ± 0,5	66,7 ± 1,5	1,2	10	

Dimensions of ammpack

	M	N	P
MR25, 1000 resistors	82	28	262
2000 resistors (26 mm)	97	29	262
5000 resistors	78	98	270
MR30, 1000 resistors	77	34	265
MR52, 1000 resistors	97	95	260

Dimensions of reel

	Q	V
MR25	305	75
MR30	365	75

LACQUERED METAL FILM RESISTORS

according to MIL-R-10509F

QUICK REFERENCE DATA

Resistance range	10 Ω to 1 M Ω , E96 and E192 series	
Resistance tolerance	\pm 0,1; 0,25; 0,5; 1%	
Rated dissipation at $T_{amb} = 70\text{ }^{\circ}\text{C}$	MR24D	0,125 W
	MR34D	0,25 W
	MR54D	0,5 W
	MR74D	0,75 W
$T_{amb} = 125\text{ }^{\circ}\text{C}$	MR24E/C	0,1 W
	MR34E/C	0,125 W
	MR54E/C	0,25 W
	MR74E/C	0,5 W
Basic specification	MIL-R-10509F	
Stability after load	$\Delta R/R$	max. 0,5% +0,05 Ω
climatic tests	$\Delta R/R$	max. 0,5% +0,05 Ω
soldering	$\Delta R/R$	max. 0,1% +0,05 Ω
short-time overload	$\Delta R/R$	max. 0,25% +0,05 Ω

APPLICATION

For use in professional equipment: computers, telecom, measuring, etc.

DESCRIPTION

A homogeneous film of metal alloy is deposited on a high grade ceramic body. After a helical groove has been cut in the resistive layer, tinned connecting wires of electrolytic copper are welded to the end-caps. The resistors are coated with layers of green lacquer which provide electrical, mechanical and climatic protection. The encapsulation is resistant to all cleaning solvents according to MIL-STD 202E, method 215 and IEC 68-2-45.

MECHANICAL DATA

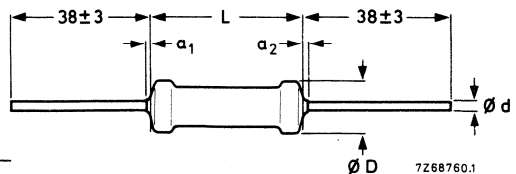


Fig. 1.

7268760.1

Table 1

type	D_{max}	L_{max}	a_1, a_2 $a_1 + a_2$	d
MR24E/C/D	2,4	6,5	≤ 1	0,6
MR34E/C/D	3,1	10,5	≤ 1	0,6
MR54E/C/D	5,2	16,5	≤ 1	0,6
MR74E/C/D	6,8	20,5	≤ 1	0,8

The length of the body is measured by inserting the leads into the holes of two identical gauge plates and by moving these plates parallel to each other until the resistor body is clamped without deformation (see IEC publication 294). For leads of 0,6 mm diameter the diameter of the holes in the gauge plate is 1,0 mm and for leads of 0,8 mm these holes are 1,2 mm diameter.

Mass

MR24E/C/D	25 g per 100
MR34E/C/D	32 g per 100
MR54E/C/D	92 g per 100
MR74E/C/D	200 g per 100

Mounting

The resistors must be mounted stress free so as to allow thermal expansion over the wide permissible temperature range.

Marking

The resistors are marked according to the MIL specification MIL-R-10509F. This means that the following information is printed on the resistor:

- MIL style
- Value and tolerance in MIL code
- Manufacturers' identification symbol.

In the MIL code for value and tolerance the value is indicated by four figures and a letter: first the three significant figures according to the E192 or E96 series, a fourth figure indicating the number of zeros to follow and then a letter indicating the tolerance as follows:

$$B = \pm 0,1\%; C = \pm 0,25\%; D = \pm 0,5\% \text{ and } F = \pm 1\%.$$

Example: 22,1 k Ω \pm 1% is written as 2212 F.

This code should not be used for ordering. Please use the catalogue number (see next page) for this purpose.

ELECTRICAL DATA

Standard values of rated resistance and tolerance

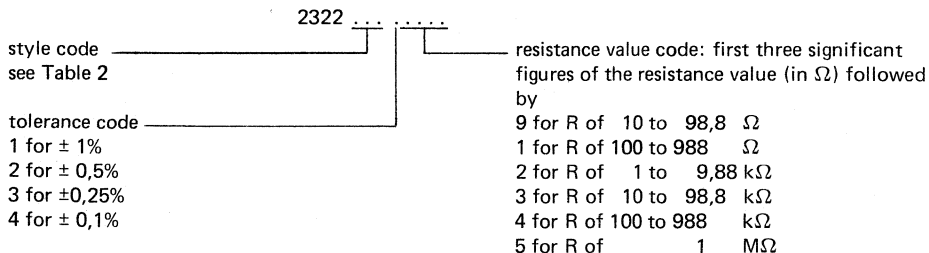
Standard values of rated resistance (nominal resistance) are taken from the E96 series for resistors with a tolerance of \pm 1%, from the E192 series for resistors with a tolerance of \pm 0,5%, \pm 0,25% or \pm 0,1% (MIL-R-10509F para 1.2.1.3). Resistors with a tolerance of \pm 0,1% and \pm 0,25% may also be requested with resistance values deviating from the E192 series, provided the value can be indicated with no more than three significant figures. The values of the E96 and E192 series are given at the back of this book.

Table 2

style	rated dissipation W	maximum temperature coefficient $\cdot 10^{-6}/K$	resistance range and tolerance	max. voltage V rms	MIL style	catalogue number 2322 followed by
	at 125 °C	±	0,1/0,25/0,5% E192 series 1% E96 series			
MR24E	0,1	25	49,9 Ω to 1 MΩ	200	RN55E	160
MR24C	0,1	50	49,9 Ω to 1 MΩ	200	RN55C	161
MR34E	0,125	25	49,9 Ω to 1 MΩ	250	RN60E	163
MR34C	0,125	50	49,9 Ω to 1 MΩ	250	RN60C	164
MR54E	0,25	25	49,9 Ω to 1 MΩ	300	RN65E	166
MR54C	0,25	50	49,9 Ω to 1 MΩ	300	RN65C	167
MR74E	0,5	25	24,9 Ω to 1 MΩ	350	RN70E	169
MR74C	0,5	50	24,9 Ω to 1 MΩ	350	RN70C	170
	at 70 °C	±	1% E96 series			
MR24D	0,125	100	10 Ω to 1 MΩ	200	RN55D	162
MR34D	0,25	100	10 Ω to 1 MΩ	300	RN60D	165
MR54D	0,5	100	10 Ω to 1 MΩ	350	RN65D	168
MR74D	0,75	100	10 Ω to 1 MΩ	500	RN70D	171

COMPOSITION OF THE CATALOGUE NUMBER

The catalogue number in the above table is completed by inserting the tolerance and resistance code:



For the resistance values mentioned in Table 3 the "Composition of the catalogue number" is not applicable. In this table the last 5 digits of the catalogue number are stated in full.

Table 3

resistance value Ω	last 5 digits of the catalogue number			
	0,1%	0,25%	0,5%	1%
29,9	92102	92122		
39,9	92103	92123		
49,9	92104	92124	92134	92144
59,9	92105	92125		
69,9	92106	92126		
79,9	92107	92127		
89,9	92108	92128		
99,9	92109	92129		

TESTS AND REQUIREMENTS

All tests are carried out according to the schedule of MIL-R-10509F para 4.4.2. In the table below the tests and requirements are listed with reference to the relevant paragraphs of this specification.

Table 4

MIL method			requirement	
R 10509F paragraph	STD 202 method	procedure	MIL-R-10509F paragraph	requirement*
4.6.4	102	Temperature cycling	3.9	$\Delta R \leq 0,25\% + 0,05 \Omega$
4.6.5	—	Low-temperature operation	3.10	$\Delta R \leq 0,25\% + 0,05 \Omega$
4.6.6	—	Short-time overload	3.11	$\Delta R \leq 0,25\% + 0,05 \Omega$
4.6.7	211	Terminal strength	3.12	$\Delta R \leq 0,2\% + 0,05 \Omega$
4.6.8	301/105	Dielectric withstanding voltage	3.13	$\Delta R \leq 0,25\% + 0,05 \Omega$
4.6.9	302	Insulation resistance	3.14	$R_{ins} \geq 10\ 000\ M\Omega$
4.6.10	210	Resistance to soldering heat	3.15	$\Delta R \leq 0,1\% + 0,05 \Omega$
4.6.11	106	Moisture resistance	3.16	$\Delta R \leq 0,5\% + 0,05 \Omega$
				$R_{ins} \geq 100\ M\Omega$
4.6.13	108	Life	3.18	$\Delta R \leq 0,5\% + 0,05 \Omega$
4.6.15	205	Shock, medium impact	3.20	$\Delta R \leq 0,25\% + 0,05 \Omega$
4.6.16	204	Vibration	3.21	$\Delta R \leq 0,25\% + 0,05 \Omega$

PACKAGING

Bulk packing, 100 per box.

* Although resistors with a temperature coefficient of $100 \cdot 10^{-6}/K$ correspond with characteristic D resistors of MIL-R-10509F, they meet the more severe test requirements of characteristic C and E resistors.

METAL FILM PRECISION RESISTORS

QUICK REFERENCE DATA

Resistance range		24 Ω to 100 k Ω	4,99 Ω to 1 M Ω
Resistance tolerance		$\pm 0,05$; 0,02; 0,01%	$\pm 0,5$; 0,25; 0,1%
Category		25/125/56	55/155/56
Failure level		S	R
Absolute maximum dissipation at $T_{amb} = 70\text{ }^{\circ}\text{C}$	MPR24	0,125 W	0,250 W
	MPR34	0,25 W	0,40 W
Specification based on		CECC 40300 MIL-R-10509 MIL-R-55182 DIN 44061 IEC 115-5	
Temperature characteristic between + 20 and + 70 $^{\circ}\text{C}$		$\Delta R/R$ max. $\pm 0,125\%$ (TC25) $\Delta R/R$ max. $\pm 0,075\%$ (TC15) $\Delta R/R$ max. $\pm 0,050\%$ (TC10) $\Delta R/R$ max. $\pm 0,025\%$ (TC 5)	←
Vibration test		10 Hz to 500 Hz; 0,75 mm or 98 m/s ²	
Air pressure (lower limit)		8,5 kN/m ²	
Stability after			
load		$\Delta R/R$ max. 0,05% + 0,01 Ω	
climatic tests		$\Delta R/R$ max. 0,05% + 0,01 Ω	
soldering test		$\Delta R/R$ max. 0,01% + 0,01 Ω	
short overload		$\Delta R/R$ max. 0,01% + 0,01 Ω	

APPLICATION

These resistors have been developed for highly professional applications such as computers, test and telecommunication equipment, where high stability and low temperature coefficient are essential.

DESCRIPTION

A homogeneous film of metal alloy is deposited on a high grade ceramic body. After a helical groove has been cut in the resistive layer, tinned connecting wires of electrolytic copper are welded to the end-caps. The resistors are coated with layers of green lacquer which provides electrical, mechanical and climatic protection. The encapsulation is resistant to all cleaning solvents according to MIL-STD 202E, method 215 and IEC 68-2-45. ←

Resistors $\leq 200\text{ }\Omega$ with tolerances of 0,05, 0,02 and 0,01% have a low inductance.

MPR24 MPR34

MECHANICAL DATA

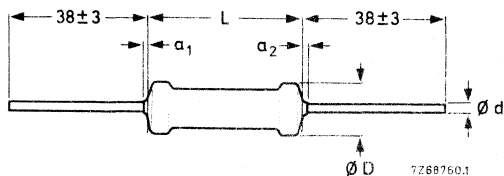


Fig. 1.

Table 1

type	D _{max}	L _{max}	a ₁ + a ₂	d
MPR24	2,5	6,5	≤ 1	0,6
MPR34	3,0	10,0	≤ 1	0,6

The lead length (38 ± 3 mm) only applies to untaped resistors, i.e. those packed in a cassette. See Standard Packaging.

The length of the body is measured by inserting the leads into the 1 mm diameter holes of two identical gauge plates and by moving these plates parallel to each other until the resistor body is clamped without deformation (see IEC publication 294).

Mass (per 100 items): MPR24 – 25g
MPR34 – 30g

Coding

The resistors are either colour-coded or marked. Any value within the range can be supplied colour-coded, provided the resistance can be expressed in 3 coloured bands according to IEC publication 62 "Colour code for fixed resistors". See also General Section. All other resistors, including those in cassette packing, are marked.

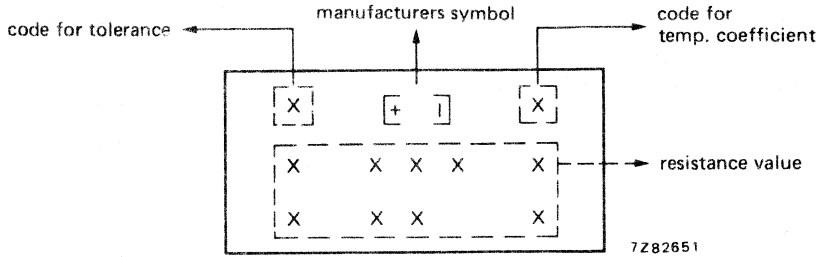
Colour coding



colour	significant figures	multiplier	tol. %	TC · 10 ⁻⁶ /K
black	0	1 x		
brown	1	10 x		
red	2	100 x		50
orange	3	1 000 x		15
yellow	4	10 000 x		25
green	5	100 000 x	± 0,5	
blue	6	1 000 000 x	± 0,25	10
violet	7		± 0,1	5
grey	8			
white	9			
silver	—	0,01 x		
gold	—	0,1 x		

Marking

When marked, the following details are printed on the resistors:



Tolerance: (acc IEC62).

- ± 0,5 % = D
- ± 0,25% = C
- ± 0,1 % = B
- ± 0,05% = W
- ± 0,02% = P
- ± 0,01% = L

Temperature coefficient:

- TC 25 = 1
- TC 15 = 2
- TC 10 = 3
- TC 5 = 4

Resistors with other temperature coefficients are available on request.

Resistance value:

Nine positions are available for the resistance value according to IEC 62.

- Example: 4R99 = 4,99 Ω
- K2751 = 275,1 Ω
- 27R83 = 27,83 Ω

MPR24 MPR34

ELECTRICAL DATA

→ Maximum permissible voltage (d.c.)

MPR24	250	V
MPR34	350	V

→ Insulation voltage (d.c.)

MPR24	500	V
MPR34	700	V

Resistance range 24 Ω to 100 kΩ | 4,99 Ω to 1 MΩ

Resistance tolerance ± 0,05; 0,02; 0,01% | ± 0,5; 0,25; 0,1%

Climatic category (IEC68) 25/125/56 | 55/155/56

Failure level S | R

Absolute maximum dissipation
at $T_{amb} = 70\text{ °C}$

MPR24	0,125 W	0,250 W
MPR34	0,25 W	0,40 W

Temperature coefficient 5,10,15,25 · 10⁻⁶/K | 5,10,15,25 · 10⁻⁶/K

Resistors in the range 24 Ω to 200 Ω, tolerance < 0,1%, are of low inductance.

Derating at temperatures above 70 °C

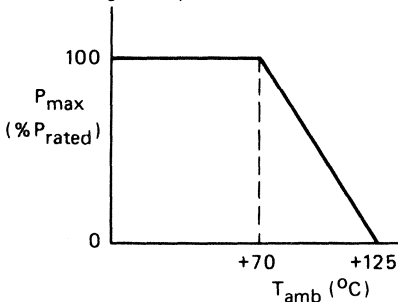


Fig. 2a Maximum dissipation (P_{max}) as a function of T_{amb} for R tolerances of 0,05, 0,02 and 0,01%.

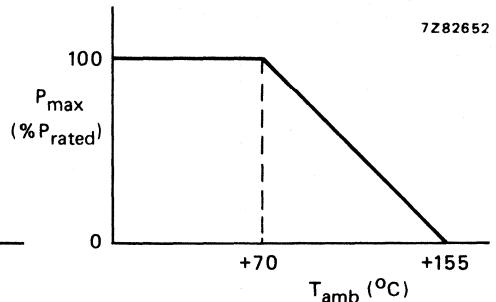


Fig. 2b Maximum dissipation (P_{max}) as a function of T_{amb} for R tolerances of 0,5, 0,25 and 0,1%.

Dissipation and stability

The stability as a function of dissipation and ambient temperature is indicated in the performance nomogram of Fig. 3 for resistors with R tolerance $\geq 0,1\%$.

Notes on nomogram

1. The nomogram should not be extended beyond the maximum permissible hot-spot temperature of 175 °C.
2. The resistance change given by the nomogram for $P = 0$ at a particular ambient temperature is indicative of the shelf-life stability of a resistor at that temperature.
3. The stability lines do not give exact values $\Delta R/R$, but represent a probability of 95% that the real values will be smaller than those obtained from the nomogram.
4. In the nomogram the limiting voltage of the resistors has not been taken into consideration.

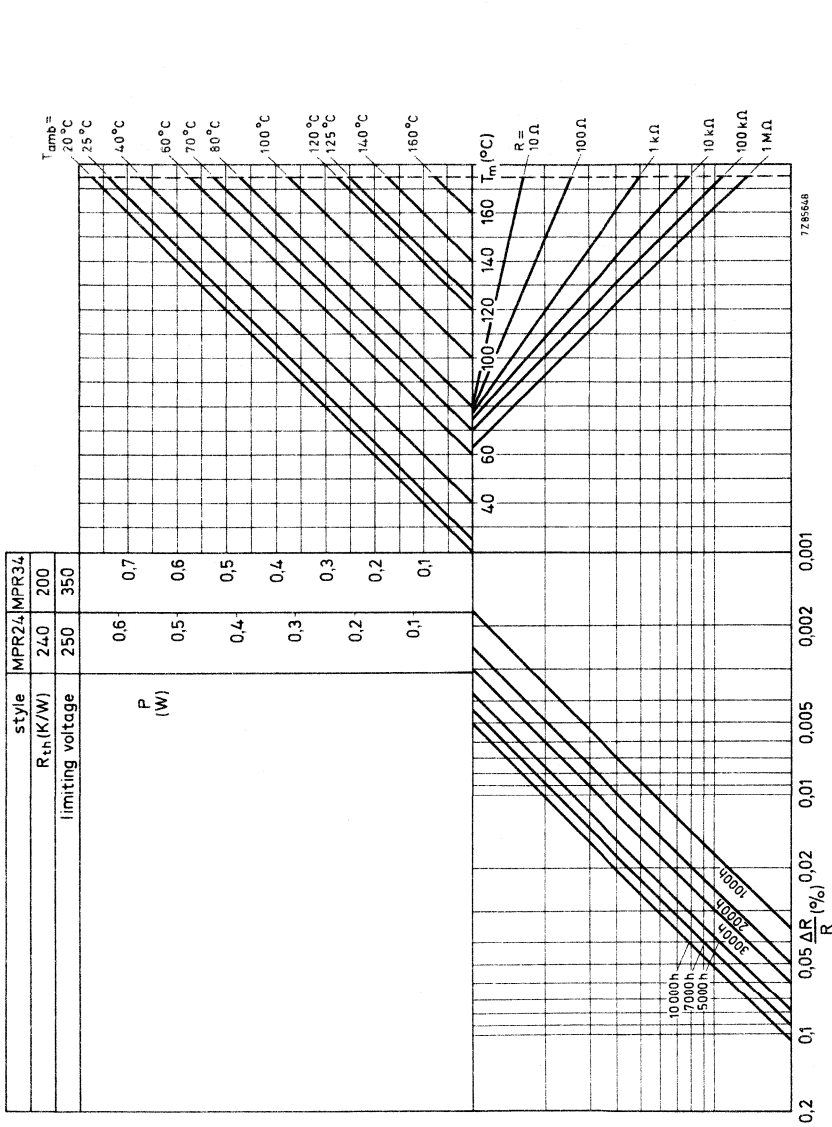


Fig. 3 Performance nomogram for different styles of resistor, showing the relationship between power dissipation P , ambient temperature T_{amb} , hot-spot temperature (T_m) and max. resistance drift $\Delta R/R$ after 1000 to 10 000 hours of operation.

MPR24 MPR34

→ COMPOSITION OF THE CATALOGUE NUMBER

a. For tolerances $\pm 0,5$; $\pm 0,25$ and $\pm 0,1\%$

2322 14X XXXXX

bandoliers of
100 and 1000
resistors

1	MPR24	style
2	MPR34	

0	tolerance %	0,5	100	packing
1			1000	
2		0,25	100	
3			1000	
4			100	
5	0,1	1000		

0	TC $\cdot 10^{-6}/K$	25	colour coded
1		15	
2		10	
3		5	marked
4		25	
5		15	
6		10	
7	5		

Any value within the range can be supplied in colour-coded versions provided the resistance value can be expressed in 3-colour-code bands. All other resistors are available as marked versions only.

XXX in the catalogue number denotes the 10th to 12th digits which are fixed by the supplier.

Tolerance $< 0,1\%$; the values 24 Ω to 200 Ω are of low inductance value.

resistance range	T.C. $\cdot 10^{-6}/K$	standard packing	$\pm 0,5\%$		$\pm 0,25\%$		0,1%	
			colour coded	marked	colour coded	marked	colour coded	marked
			8th and 9th digit of the catalogue number					
4,99 Ω to 1 M Ω	25	100	00xxx	04xxx	20xxx	24xxx	40xxx	44xxx
		1000	10xxx	14xxx	30xxx	34xxx	50xxx	54xxx
		100	01xxx	05xxx	21xxx	25xxx	41xxx	45xxx
		1000	11xxx	15xxx	31xxx	35xxx	51xxx	55xxx
	15	100	02xxx	06xxx	22xxx	26xxx	42xxx	46xxx
		1000	12xxx	16xxx	32xxx	36xxx	52xxx	56xxx
		100	03xxx	07xxx	23xxx	27xxx	43xxx	47xxx
		1000	13xxx	17xxx	33xxx	37xxx	53xxx	57xxx
	5	100	04xxx	08xxx	24xxx	28xxx	44xxx	48xxx
		1000	14xxx	18xxx	34xxx	38xxx	54xxx	58xxx
		100	05xxx	09xxx	25xxx	29xxx	45xxx	49xxx
		1000	15xxx	19xxx	35xxx	39xxx	55xxx	59xxx

bandoliers of
500 and 5000
resistors

2322 14X XXXXX

3	MPR24	style
4	MPR34	

0	tolerance %	0,5	500	packing
1			5000	
2		0,25	500	
3			5000	
4			500	
5	0,1	5000		

0	TC $\cdot 10^{-6}/K$	25	colour coded
1		15	
2		10	
3		5	marked
4		25	
5		15	
6		10	
7	5		

resistance range	T.C. $\cdot 10^{-6}/K$	standard packing	$\pm 0,5\%$		$\pm 0,25\%$		0,1%	
			colour coded	marked	colour coded	marked	colour coded	marked
			8th and 9th digit of the catalogue number					
4,99 Ω to 1 M Ω	25	500	00xxx	04xxx	20xxx	24xxx	40xxx	44xxx
		5000	10xxx	14xxx	30xxx	34xxx	50xxx	54xxx
		500	01xxx	05xxx	21xxx	25xxx	41xxx	45xxx
		5000	11xxx	15xxx	31xxx	35xxx	51xxx	55xxx
	15	500	02xxx	06xxx	22xxx	26xxx	42xxx	46xxx
		5000	12xxx	16xxx	32xxx	36xxx	52xxx	56xxx
		500	03xxx	07xxx	23xxx	27xxx	43xxx	47xxx
		5000	13xxx	17xxx	33xxx	37xxx	53xxx	57xxx
	5	500	04xxx	08xxx	24xxx	28xxx	44xxx	48xxx
		5000	14xxx	18xxx	34xxx	38xxx	54xxx	58xxx
		500	05xxx	09xxx	25xxx	29xxx	45xxx	49xxx
		5000	15xxx	19xxx	35xxx	39xxx	55xxx	59xxx

b. For tolerances $\pm 0,05$; $\pm 0,02$ and $\pm 0,01\%$

2322 14X XXXXX

cassettes of 20 resistors
and
bandoliers of 100

1	MPR24	style
2	MPR34	
6	$\pm 0.05\%$	tolerance
7	$\pm 0.02\%$	
8	$\pm 0.01\%$	
0	25	T.C.
1	15	
2	10	
3	5	

Any value within the range will be supplied in marked versions XXX in the catalogue number denotes the 10th to 12th digits which are fixed by the supplier.
Tolerance $< 0,1\%$; the values 24 Ω to 200 Ω are of low inductance value.
Quantities of 20 are accompanied by a list with individual measuring details.

resistance range	T.C.	standard packing	$\pm 0,05\%$	$\pm 0,02\%$	$\pm 0,01\%$
			MARKED		
			8th and 9th digit of the catalogue number		
24 Ω to 100 k Ω	25	20	60xxx	70xxx	80xxx
	15	20	61xxx	71xxx	81xxx
	10	20	62xxx	72xxx	82xxx
	5	20	63xxx	73xxx	83xxx
	25	100	64xxx	74xxx	84xxx
	15	100	65xxx	75xxx	85xxx
	10	100	66xxx	76xxx	86xxx
	5	100	67xxx	77xxx	87xxx

bandoliers of 500
and 1000 resistors

2322 14X XXXXX

3	MPR24	style
4	MPR34	
6	$\pm 0.05\%$	tolerance
7	$\pm 0.02\%$	
8	$\pm 0.01\%$	
0	25	T.C.
1	15	
2	10	
3	3	

resistance range	T.C.	standard packing	$\pm 0,05\%$	$\pm 0,02\%$	$\pm 0,01\%$
			MARKED		
			8th and 9th digit of the catalogue number		
24 Ω to 100 k Ω	25	500	60xxx	70xxx	80xxx
	15	500	61xxx	71xxx	81xxx
	10	500	62xxx	72xxx	82xxx
	5	500	63xxx	73xxx	83xxx
	25	1000	64xxx	74xxx	84xxx
	15	1000	65xxx	75xxx	85xxx
	10	1000	66xxx	76xxx	86xxx
	5	1000	67xxx	77xxx	87xxx

TESTS AND REQUIREMENTS

Essentially all tests are carried out according to the schedule of the CECC publication 40.300 category 55/155/56 (for the 0,5%, 0,25% and 0,1% tolerance classes) and category 25/125/56 (for the 0,05%, 0,02% and 0,01% tolerance classes) along the lines of CECC 40.000. "Recommended basic climatic and mechanical robustness testing procedure for electronic components".

In the following table the tests are listed with reference to the relevant clauses of CECC publication 40.000 and IEC publication 68; a short description is also given on the test procedure and requirements. In some instances deviations from the CECC were necessary for our method of specifying.

Table 2

CECC 40.000 test method	IEC 68 test method	test	procedure	requirements
4.5		Insulation resistance	MPR24: 500 V (d.c.) MPR34: 700 V (d.c.) during 1 min; V-block method	min. 10^4 M Ω
4.6		Voltage proof	2 x limiting voltage (a.c.) with a maximum of 750 V (r.m.s.) during 1 minute. V block method	no breakdown
4.7		Temperature coefficient	(a) between + 20 °C and + 70 °C (b) between - 55 °C and + 155 °C *	$\leq 25, \leq 15, \leq 10, \leq 5 \cdot 10^{-6}/K$ $\leq 25, 10^{-6}/K$
4.10		Noise	IEC publication 195	$\leq 0,25 \mu V/V$ for $R \leq 100 K\Omega$ $\leq 0,50 \mu V/V$ for $R \leq 100 K\Omega$
4.11		Overload	5 s, $6,25 \times P_{nom}$ or 2 x limiting voltage (whichever the less)	$\Delta R_{max} \leq 0,01\% + 0,01 \Omega$
4.14	Ua Ub Uc	Robustness of terminations Tensile all samples Bending half number of samples Torsion other half number of samples	load 10N, 10 S load 5N, 4 x 90° 3 x 360° in opposite directions	no damage $\Delta R_{max} \leq 0,01\% + 0,01 \Omega$
4.15	Ta Tb	Soldering	solderability: 2 S 230 °C flux 600 Thermal shock: 3 S 350 °C 6 mm from body	good timing no damage $\Delta R_{max} \leq 0,01\% + 0,01 \Omega$
4.16	Na	Rapid change of temperature	(a) ½ h -25 °C/½ h + 125 °C 5 cycles (b) ½ h -55 °C/½ h + 155 °C 5 cycles *	$\Delta R_{max} \leq 0,01\% + 0,01 \Omega$ $\Delta R_{max} \leq 0,01\% + 0,01 \Omega$
4.17	Eb	Bump	3 x 1500 bumps in three directions, 40 g	no damage $\Delta R_{max} \leq 0,01\% + 0,01 \Omega$

* (a) and (b) refer to the tolerance groups mentioned in Composition of the Catalogue Number.

CECC 40.000 test method	IEC 68 test method	test	procedure	requirements	
4.19	Fc	Vibration	frequency 10 - 500 Hz, displacing 1,5 mm or deceleration 10 g, three directions; total 6 h	no damage $\Delta R_{\max} \leq 0,01\% + 0,01 \Omega$	
4.20	B	Climatic sequence		R_{ins} min. 100 M Ω $\Delta R_{\max} \leq 0,05\% + 0,01 \Omega$	
4.20.2		Dry heat	(a) 16 h; 125 °C (b) 16 h; 155 °C		
4.20.3		Damp heat (accel.) 1st cycle	24 h; 95 - 100% R.H.		
4.20.4		Aa	Cold		(a) 2 h; -25 °C (b) 2 h; -55 °C
4.20.5		M	Low air pressure		1 h; 8,5 kPa; 15 - 35 °C
4.20.6		D	Damp heat (accel.) remaining cycles		5 days; 95 - 100% R.H.
4.21	Ca	Damp heat, Steady state (long term exposure)	56 days 40 °C; 90 - 95% R.H. dissipation $\leq 1,25$ mW	R_{ins} min. 100 M $\Delta R_{\max} \leq 0,05\% + 0,01 \Omega$	
4.24		Endurance 1½ h on/¼ h off	2000 h 70 °C dissipation P_{nom}	R_{ins} min. 100 M Ω $\Delta R_{\max} \leq 0,05\% + 0,01 \Omega$	

STANDARD PACKAGING

100 resistors on bandolier in a cardboard box; 500 and 1000 resistors on bandolier in ammpack, 5000 resistors on bandolier on reel, or 20 resistors in cassette, including list with individual measuring details. See General section for details.

Dimensions of bandolier

type	a $\pm 0,2$	A $\pm 1,5$	B1 - B2 $\pm \text{max.}$	S spacing	T max. deviation of spacing
MPR24	6	63,5	1,2	5	1 mm per 10 spacings
MPR34	6	63,5	1,2	5	0,5 mm per 5 spacings

Dimensions of ammpack

	M	N	P
MPR24	97	29	262
MPR34	97	39	262

Dimensions of reel

	Q	V
MPR24	305	90
MPR34	356	90

* (a) and (b) refer to the tolerance groups mentioned in Composition of the Catalogue Number.

HIGH VOLTAGE — VR

HIGH-OHMIC/HIGH-VOLTAGE RESISTORS

QUICK REFERENCE DATA

Resistance range	220 k Ω to 15 M Ω , E24/E96 series 220 k Ω to 10 M Ω , E24 series 12 M Ω to 22 M Ω , E12 series
Resistance tolerance	$\pm 1\%$ (E24/E96), $\pm 5\%$ (E24), $\pm 10\%$ (E12)
Max. permissible body temperature (hot spot)	155 °C
Temperature coefficient	$\pm 200 \cdot 10^{-6}/K$
Rated dissipation at $T_{amb} = 70$ °C	0,25 W
Limiting voltage	1600 V (d.c.) or 1150 V (r.m.s.)
Dielectric withstanding voltage of the insulation for 1 minute	min. 700 V (r.m.s.)
Basic specification	IEC 115, type 1B
Climatic category (IEC 68)	55/155/56
Stability after:	
1000 h max. load	$\Delta R/R$ max. 3%
accelerated damp heat test (6 days)	$\Delta R/R$ max. 3%
long-term damp heat test (56 days)	$\Delta R/R$ max. 3%
Noise	max. 5 $\mu V/V$

APPLICATION

These resistors are for applications in which high resistance, high stability and reliability are required at high voltages. The resistors meet the safety requirements of IEC 65 par. 14-1B, 4th edition; NFC 92-130 (France); VDE 0860 (Germany); BS 415 (U.K.).

DESCRIPTION

A metal-glazed film is deposited on a high grade ceramic body; tinned electrolytic copper connecting wires are welded to the end caps. The resistors are coated with a light-blue insulating lacquer which also provides protection against environmental effects.

MECHANICAL DATA

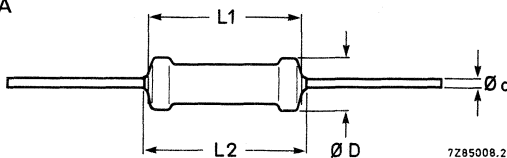


Fig. 1 Axial leads.

Table 1

type	D_{max}	$L1_{max}$	$L2_{max}$	d
VR25	2,5	6,5	7,5	0,6

The length of the body is measured by inserting the leads into holes of two identical gauge plates and moving these plates parallel to each other until the resistor body is clamped without deformation (IEC publication 294). For leads of 0,6 mm diameter, the diameter of the holes in the gauge plates is 1,0 mm.

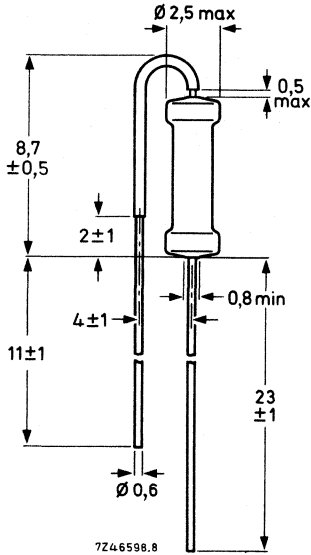


Fig. 2 "Stand-up" type VR25A, for vertical mounting. The bent lead is partially covered with an insulating lacquer with a breakdown voltage of at least 50 V (d.c.).

Mass 23 g per 100 resistors

Mounting

The resistors are suitable for processing on automatic insertion equipment and cutting and bending machines. The minimum pitch for the type with axial leads is 5 e (12,7 mm). The "stand-up" type, VR25A, can be inserted into holes with a pitch of 1 e.

Marking

The nominal resistance and the tolerance are marked on these resistors by four or five coloured bands according to IEC publication 62 "Colour code for fixed resistors". See General Section.

Yellow and grey are used instead of gold and silver because metal particles in the lacquer could affect high-voltage properties.

ELECTRICAL DATA**Standard values of rated resistance and tolerance**

Standard values of rated resistance (nominal resistance) are taken from the

E12 series within the range 12 M Ω to 22 M Ω for R \pm 10%,

E24 series within the range 220 k Ω to 10 M Ω for R \pm 5% and

E24/E96 series within the range 220 k Ω to 15 M Ω for R \pm 1%

See the table "Standard series of values in a decade" at the back of the book.

The limiting voltage for resistor element is the maximum voltage that may be applied continuously to the resistor element or the insulation, see IEC publications 115-1 and 115-2. This voltage is 1600 V (d.c.) or 1150 V (r.m.s.).

Table 2

type	packing	quantity	resistance range	tolerance \pm %	series	catalogue number 2322 followed by:
VR25	ammopack	1000	220 k Ω to 15 M Ω	1	E24/E96	241 8....
			220 k Ω to 10 M Ω	5	E24	241 13...
			12 M Ω to 22 M Ω	10	E12	241 12...
	on reel	5000	220 k Ω to 10 M Ω	5	E24	241 53...
			12 M Ω to 22 M Ω	10	E12	241 52...
			220 k Ω to 10 M Ω	5	E24	241 23...
		5000	12 M Ω to 22 M Ω	10	E12	241 22...
VR25	ammopack	2000	220 k Ω to 10 M Ω	5	E24	241 43...
		2000	12 M Ω to 22 M Ω	10	E12	241 42...
26 mm bandolier						
VR25A "stand-up"	in box (loose)	1000	220 k Ω to 10 M Ω	5	E24	241 33...
			12 M Ω to 22 M Ω	10	E12	241 32...

COMPOSITION OF THE CATALOGUE NUMBER

The catalogue number in the above table is completed by inserted the resistance code: the first two figures (for 1% tolerance first three figures) of the resistance, followed by:

4 for R = 220 k Ω to 976 k Ω

5 for R = 1 M Ω to 9,76 M Ω

6 for R \geq 10 M Ω

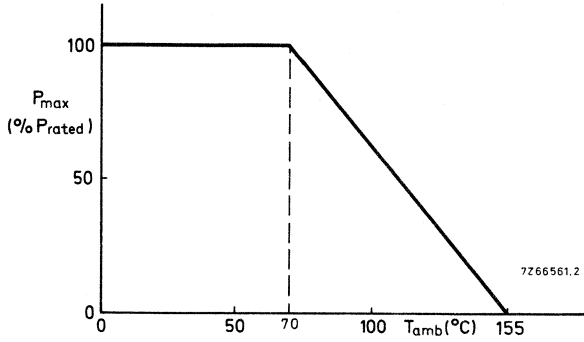


Fig. 3 Maximum dissipation (P_{max}) as a function of the ambient temperature (T_{amb}).

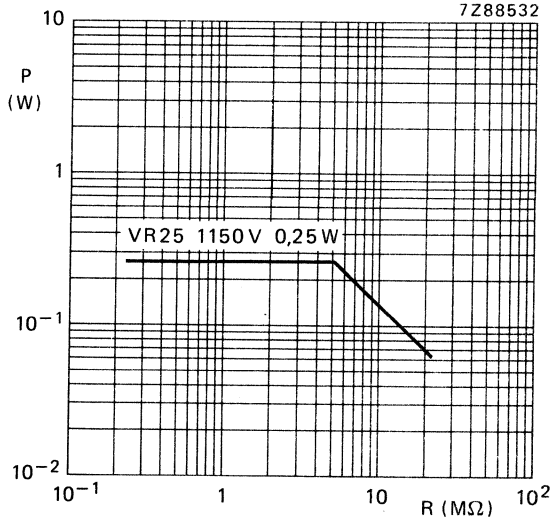


Fig. 4 Maximum permissible dissipation at $T_{amb} = 70^{\circ}C$ as a function of the resistance.

TESTS AND REQUIREMENTS

Essentially all tests are carried out according to the schedule of IEC publication 115-1, category 55/155/56 (rated temperature range -55 to $+155$ °C; damp heat, long term, 56 days) and along the lines of IEC publication 68, "Recommended basic climatic and mechanical robustness testing procedure for electronic components". In the following table the tests are listed with reference to the relevant clauses of IEC publications 115-1 and 68; a short description is also given of the test procedure and requirements. In some instances deviations from the IEC recommendation were necessary for our method of specifying.

Table 4

IEC 115-1 clause	IEC 68 test method	test	procedure	requirements
4.16		Robustness of terminations		
4.16.2	Ua	Tensile all samples	load 10N; 10 s	} number of failures: < 10 ppm
4.16.3	Ub	Bending half number of samples	load 5N; $4 \times 90^\circ$	
4.16.4	Uc	Torsion other half number of samples	$3 \times 360^\circ$ in opposite directions	
4.17	Ta	Soldering	solderability: 2 s 230 °C, flux 600	good tinning, no damage
4.18	Tb		thermal shock: 3 s 350 °C, 6 mm from body	ΔR max. 0,5% + 0,05 Ω
4.19	Na	Rapid change of temperature	$\frac{1}{2}$ h -55 °C/ $\frac{1}{2}$ h $+155$ °C, 5 cycles	ΔR max. 0,5% + 0,05 Ω
4.22	Fc	Vibration	frequency 10-500 Hz, displacement 1,5 mm or acceleration 10g, three directions; total 6 h (3×2 h)	no damage ΔR max. 0,5% + 0,05 Ω
4.20	Eb	Bump	3×1500 bumps in three directions, 40g	no damage ΔR max. 0,5% + 0,05 Ω

IEC 115-1 clause	IEC 68 test method	test	procedure	requirements
4.23		Climatic sequence		
4.23.2	Ba	Dry heat	16 h, 155 °C	
4.23.3	D	Damp heat (accel.) 1st cycle	24 h; 55 °C; 95-100% R.H.	
4.23.4	Aa	Cold	2 h; -55 °C	
4.23.5	M	Low air pressure	2 h; 8,5 kPa; 15-35 °C	
4.23.6	D	Damp heat (accel.) remaining cycles	5 days; 55 °C; 95-100% R.H.	R_{ins} min. 1000 M Ω ΔR max. 3%
4.24.2	Ca	Damp heat steady state	56 days; 40 °C; 90-95% R.H. dissipation $\leq 0,01 P_n$ limiting voltage 16 V (d.c.)	R_{ins} min. 1000 M Ω ΔR max. 3%
4.25.1	—	Endurance	1000 hours; 70 °C nominal dissipation or V_{max}	ΔR max. 3%
4.8.4.2	—	Temperature coefficient	between -55 °C and + 155 °C	$\pm 200 \cdot 10^{-6}/K$
4.7	—	Voltage proof on insulation	700 V (r.m.s.), 1 minute V block method	no breakdown
4.12	—	Noise	IEC publication 195	max. 5 $\mu V/V$
4.6.1.1	—	Insulation resistance	700 V (r.m.s.) 1 minute; V block method	min. 10 ⁴ M Ω
4.13	—	Short time overload	Room temperature, dissipation 6,25 P_n (voltage not more than 2 x limiting voltage), 10 cycles 5 s on, 45 s off	ΔR max. 0,5% + 0,05 Ω

PACKAGING

Resistors with axial leads are supplied on bandolier in ammpack or on reel; those with radial leads are either loose in a cardboard box or — with bent leads — on a bandolier in ammpack. See General section for details.

PACKAGING

Resistors with axial leads are supplied on bandolier in ammpack or on reel; those with radial leads are either loose in a cardboard box or — with bent leads — on a bandolier in ammpack.

type	quantity per box		
	bandolier ammpack	bulk loose	bandolier on reel
VR25	1000/2000/5000	—	5000
VR25A	—	1000	—

Dimensions of bandolier

type	a ± 0,5	A	B1 - B2 ± max.	S (spacing)	T (max. deviation of spacing)
VR25	6	52,5 ± 1,5	1,2	5	} 1 mm per 10 spacings } 0,5 mm per 5 spacings
VR25	6	26 + 1,5 - 0	1,0	5	

Dimensions of ammpack

	M	N	P
1000 resistors	82	28	262
2000 resistors	50	50	255
5000 resistors	78	98	270

Dimensions of reel

	Q	V
5000 resistors	305	75

HIGH-OHMIC/HIGH-VOLTAGE RESISTORS

QUICK REFERENCE DATA

Type		VR37	VR68
Resistance range	E24 series E24/E96 series	220 k Ω to 33 M Ω 220 k Ω to 33 M Ω	100 k Ω to 68 M Ω 100 k Ω to 68 M Ω
Resistance tolerance	E24 series E24/E96 series	$\pm 5\%$ $\pm 1\%$	$\pm 5\%$ $\pm 1\%$
Max. permissible body temperature (hot spot)		155 $^{\circ}\text{C}$	155 $^{\circ}\text{C}$
Temperature coefficient		$\pm 200 \cdot 10^{-6}/\text{K}$	$\pm 200 \cdot 10^{-6}/\text{K}$
Rated dissipation at $T_{\text{amb}} = 70 \text{ }^{\circ}\text{C}$		0,5 W	1,0 W
Limiting voltage			
d.c.		3,5 kV	10 kV
r.m.s.		2,5 kV	7 kV
Dielectric withstanding voltage of the insulation for 1 minute	min.	700 V	700 V
Basic specification		IEC 115-1B	IEC 115-1B
Climatic category (IEC 68)		55/155/56	55/155/56
Stability after:			
1000 h max. load $\Delta R/R$	max. (req.: 1,5%)	typ. 0,5%	typ. 1%
6 days damp-heat test $\Delta R/R$	max. (req.: 1,5%)	typ. 0,5%	typ. 1%
56 days damp-heat test $\Delta R/R$	max. (req.: 0,5%)	typ. 0,5%	typ. 0,5%
Noise	max. (req.: 2,5 $\mu\text{V}/\text{V}$)	typ. 0,5 $\mu\text{V}/\text{V}$	typ. 0,5 $\mu\text{V}/\text{V}$

APPLICATION

Where high resistance, high stability and high reliability at high voltage are required. The resistors meet the safety requirements of IEC 65, 4th edition; NFC 92.130; BS415; VDE 0860.

DESCRIPTION

A metal-glazed film is deposited on a high grade ceramic body; tinned electrolytic copper wires are welded to the end caps. The resistors are coated with a light blue insulating lacquer which also provides protection against environmental effects.

MECHANICAL DATA

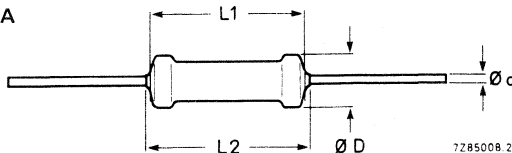


Fig. 1 Axial leads.

Table 1

type	D_{max}	$L1_{\text{max}}$	$L2_{\text{max}}$	d
VR37	3,7	9,0	10,0	0,7
VR68	6,8	16,5	19,0	0,8

The length of the body is measured by inserting the leads into holes of two identical gauge plates and moving those plates parallel to each other until the resistor body is clamped without deformation (IEC publication 294). For leads of 0,7 mm diameter, the diameter of the holes in the gauge plates is 1,0 mm; for leads of 0,8 mm diameter, the holes are 1,2 mm.

Mass (per 100) VR37: 42g; VR68: 148g

Mounting

The resistors are suitable for processing on automatic insertion equipment and cutting and bending machines.

Marking

The nominal resistance and the tolerance are marked on these resistors by four (E24 series) or five (E96 + E24) coloured bands according to IEC publication 62 "Colour code for fixed resistors". See General Section.

Yellow and grey are used instead of gold and silver, because metal particles in the lacquer could affect high-voltage properties.

ELECTRICAL DATA

Standard values of rated resistance and tolerance

Standard values of rated resistance (nominal resistance) are taken from the E24/E96 series (tolerance $\pm 1\%$) and E24 series (tolerance $\pm 5\%$) within the range 220 k Ω to 33 M Ω for type VR37 and 100 k Ω to 68 M Ω for type VR68. Values up to 220 M Ω are available on request. See the table "Standard series of values in a decade" at the back of the book.

- The limiting voltage for resistor element is the maximum voltage that may be supplied continuously to the resistor element or the insulation, see IEC publications 115-1 and 115-2. This voltage is 3500 V (d.c.) or 2500 V (r.m.s.) for type VR37 and 10 kV (d.c.) or 7 kV (r.m.s.) for type VR68.

Table 2

type	packing	quantity	resistance range	tolerance $\pm \%$	series	catalogue number 2322 followed by:
VR37	ammopack	1000	220 k Ω to 33 M Ω	1	E24/E96	242 8
				5	E24	242 13
	on reel	5000	220 k Ω to 33 M Ω	1	E24/E96	242 7
		5000		5	E24	242 23
VR68	ammopack	500	100 k Ω to 68 M Ω	1	E24/E96	244 8
				5	E24	244 13

COMPOSITION OF THE CATALOGUE NUMBER

The catalogue number in the above table is completed by inserting the resistance code: the first two figures (E24 series) resp. first three figures (E24/E96) of the resistance (in Ω) followed by:

- 4 for R = 100 k Ω to 976 k Ω
- 5 for R = 1 M Ω to 9,76 M Ω
- 6 for R = 10 M Ω to 68 M Ω

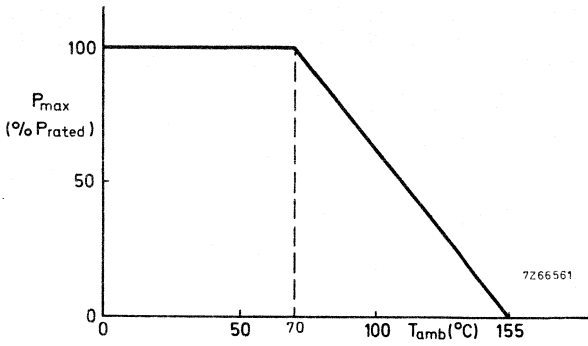


Fig. 2 Maximum dissipation (P_{max}) as a function of the ambient temperature (T_{amb}).

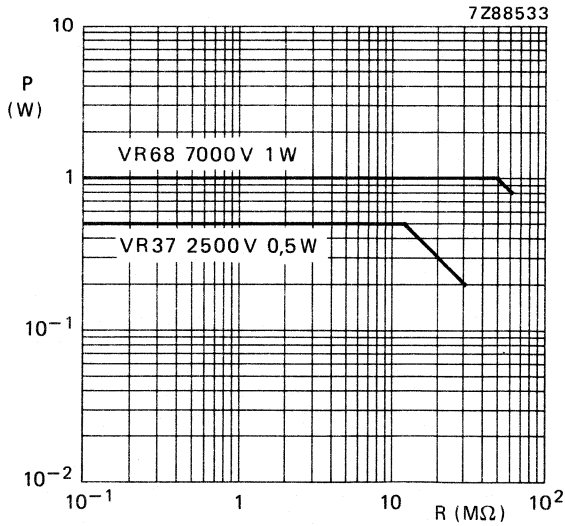


Fig. 3 Power versus resistance value of high-voltage resistors at $T_{amb} = 70$ °C.

TESTS AND REQUIREMENTS

Essentially all tests are carried out according to the schedule of IEC publication 115-1, category 55/155/56 (rated temperature range -55 to + 155 °C; damp heat, long term, 56 days) and along the lines of IEC publication 68, "Recommended basic climatic and mechanical robustness testing procedure for electronic components". In the following table the tests are listed with reference to the relevant clauses of IEC publications 115-1 and 68; a short description is also given of the test procedure and requirements. In some instances deviations from the IEC recommendation were necessary for our method of specifying.

Table 4

IEC 115-1 clause	IEC 68 test method	test	procedure	requirements
18	Ua Ub Uc	Robustness of terminations Tensile all samples Bending half number of samples Torsion other half number of samples	load 10N; 10 s load 5N; 4 x 90° 3 x 360° in opposite directions	number of failures: < 10 ppm no damage ΔR max. 0,5% + 0,05 Ω
19	T	Soldering	solderability: 2 s 230 °C, flux 600 thermal shock: 3 s 350 °C, 6 mm from body	good tinning, no damage ΔR max. 0,5% + 0,05 Ω
20	Na	Rapid change of temperature	½ h -55 °C/½ h + 155 °C, 5 cycles	ΔR max. 0,5% + 0,05 Ω
22	Fc	Vibration	frequency 10-500 Hz, displacement 1,5 mm or acceleration 10g, three directions; total 6 h (3 x 2 h)	no damage ΔR max. 0,5% + 0,05 Ω
21	Eb	Bump	3 x 1500 bumps in three directions, 40g	no damage ΔR max. 0,5% + 0,05 Ω

IEC 115-1 clause	IEC 68 test method	test	procedure	requirements
23		Climatic sequence		
23.2	Ba	Dry heat	16 h, 155 °C	
23.3	D	Damp heat (accel) 1st cycle	24 h; 55 °C; 95-100% R.H.	
23.4	Aa	Cold	2 h; -55 °C	
23.5	M	Low air pressure	2 h; 8,5 kPa; 15-35 °C	
23.6	D	Damp heat (accel) re-maining cycles	5 days; 55 °C; 95-100% R.H.	R_{ins} min. 1000 M Ω ΔR max. 1,5%
24.2	Ca	Damp heat steady state	56 days; 40 °C; 90-95% R.H. dissipation $\leq 0,01 P_n$ limiting voltage 16 V (d.c.)	R_{ins} min. 1000 M Ω ΔR max. 1,5%
26.2	—	Endurance	1000 hours; 70 °C nominal dissipation or V_{max}	ΔR max. 1,5%
11	—	Temperature coefficient	between -55 °C and + 155 °C	$\pm 200 \cdot 10^{-6}/K$
10	—	Voltage proof on insulation	700 V (r.m.s.), 1 minute	no breakdown
14	—	Noise	IEC publication 195	max. 2,5 $\mu V/V$
9	—	Insulation resistance		min. 10 ⁴ M Ω

STANDARD PACKAGING

The resistors are supplied on bandolier in ammpack or on reel.

→ type	quantity per box	
	bandolier ammpack	bandolier on reel
VR37	1000	5000
VR68	500	

Configuration of bandolier

Dimensions in mm

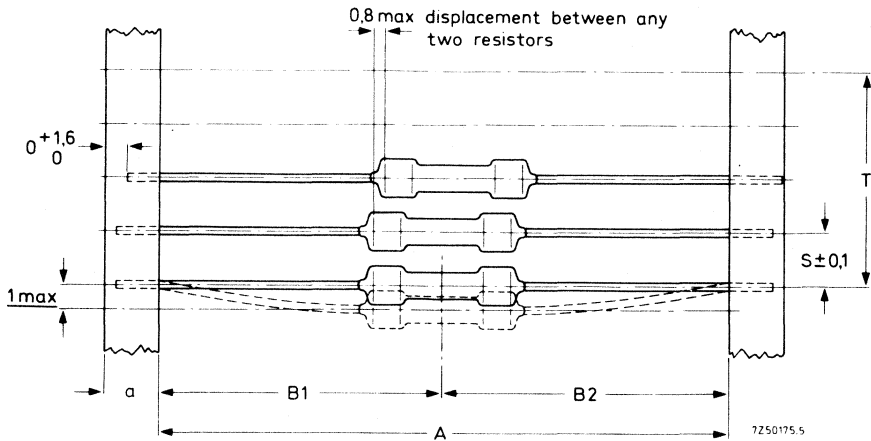


Fig. 4.

type	a $\pm 0,5$	A $\pm 1,5$	B1 - B2 $\pm \text{max.}$	S (spacing)	T (max. deviation of spacing)
VR37	6	52,4	1,2	5	} 1 mm per 10 spacings } 0,5 mm per 5 spacings
VR68	5	66,7	1,2	10	

POWER FILM — PR

POWER METAL FILM RESISTORS

QUICK REFERENCE DATA

Resistance range	1 Ω to 1 M Ω , E24 series		
Resistance tolerance	\pm 5%		
Max. body temperature (hot spot)	300 $^{\circ}$ C		
Rated dissipation at $T_{amb} = 70$ $^{\circ}$ C	R \leq 27 k Ω 1,6 W R > 27 k Ω 1,2 W		
V_{max} (r.m.s.)	500 V		
Basic specification	IEC 115-4 and MIL-R-11804/2, char. G		
Climatic category (IEC 68)	55/200/56		
Stability after, 1000 h max. load climatic tests soldering test		requirement	typical values
	$\Delta R/R$	max. 5%	R \leq 27 k Ω \leq 2,5% R > 27 k Ω \leq 5%
	$\Delta R/R$	max. 3%	\leq 0,5% \leq 1%
	$\Delta R/R$	max. 1%	\leq 0,1% \leq 0,1%

DESCRIPTION

A homogeneous film of metal alloy is deposited on a high grade ceramic body. After a helical groove has been cut in the resistive layer, tinned connecting wires of electrolytic copper or copper-clad iron are welded to the end-caps, which are force-fitted to the body.

The resistor has a red non-inflammable coating of a protective silicon lacquer which can withstand 500 V (r.m.s.) and is resistant against most of the commonly used cleaning solvents according to MIL-STD-202E, method 215 and IEC 68-2-45.

COMPOSITION OF THE CATALOGUE NUMBER

2322 191		
style code	8 for R = 1 to 9,1 Ω 9 for R = 10 to 91 Ω 1 for R = 100 to 910 Ω 2 for R = 1 000 to 9 100 Ω 3 for R = 10 000 to 91 000 Ω 4 for R = 100 000 to 910 000 Ω 5 for R = 1000 000 Ω	
3 = straight copper-clad iron leads, ϕ 0,6		mounting height (h), Fig. 2 0 = 8 1 = 15 } cropped and formed version 0 = straight lead version
4 = cropped and formed copper-clad iron leads ϕ 0,6		
5 = straight copper leads, ϕ 0,8		
6 = cropped and formed copper leads, ϕ 0,8		
		first two digits of the resistance value (E24 series)

MECHANICAL DATA

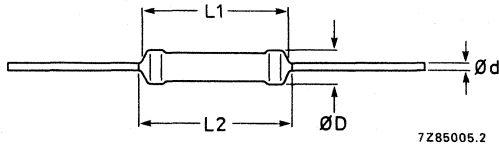


Fig. 1 Version with straight leads, see Table 1.

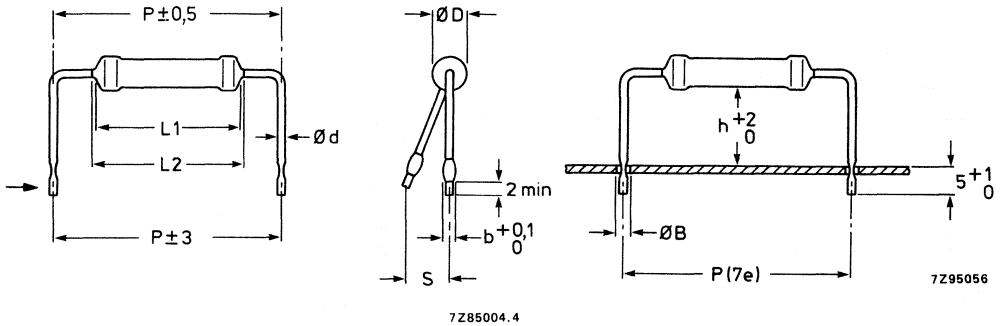


Fig. 2 Version with cropped and formed leads.

Table 1

type	leads	D _{max}	L _{1max}	L _{2max}	d	b	h	S _{max}	P	B φ _{max}
PR37	copper-clad	3,9	10	11	0,6	1,1	8	2	17,8	1,0
	iron	3,9	10	11	0,6	1,1	15	3	17,8	1,0
	copper	3,9	10	11	0,8	1,3	8	2	17,8	1,2
		3,9	10	11	0,8	1,3	15	3	17,8	1,2

Mass (per 100): 40 g

Mounting

The resistors must be mounted stress free so as to allow thermal expansion over the wide permissible temperature range. The mounting pitch of version with cropped and formed leads is 7 e (17,8 mm).

Marking

Each resistor is marked with:

Example: 27 R ± 5%.

- resistance value (R for Ω, K for kΩ and M for MΩ),
- tolerance on resistance in %.

ELECTRICAL DATA

Standard values of rated resistance and tolerance

Standard values of rated resistance (nominal resistance) are taken from the E24 series within the range 2,2 Ω to 1 M Ω . E24 series of values is given in the table "Standard series of values in a decade" at the back of the handbook. The tolerance on the rated resistance is $\pm 5\%$.

Table 2

type	leads			mounting height (h, Fig. 2)	resistance range	catalogue number 2322 followed by
	style	dia. mm	material			
PR37	straight	0,6 0,8	copper-clad iron copper	— —	1 Ω to 1 M Ω	191 3 . . 0 . 191 5 . . 0 .
	cropped and formed	0,6 0,8 0,6 0,8	copper-clad iron	8		1 Ω to 1 M Ω
copper			8	191 6 . . 0 .		
copper-clad iron			15	191 4 . . 1 .		
copper			15	191 6 . . 1 .		

To complete the catalogue number, see Composition of the Catalogue Number. For quantities and packing see Standard packaging.

Temperature coefficient

$$R \geq 10 \Omega$$

$$\text{max. } \pm 250 \cdot 10^{-6} / \text{K}$$

$$R < 10 \Omega$$

$$\text{max. } \pm 350 \cdot 10^{-6} / \text{K}$$

Maximum body temperature (hot spot)

$$300 \text{ } ^\circ\text{C}$$

Rated dissipation at $T_{\text{amb}} = 70 \text{ } ^\circ\text{C}$

$$R \leq 27 \text{ k}\Omega$$

$$1,6 \text{ W}$$

$$R > 27 \text{ k}\Omega$$

$$1,2 \text{ W}$$

Maximum voltage (r.m.s.)

$$500 \text{ V}$$

Dielectric withstanding r.m.s. voltage of the insulation for 1 min

$$\text{min. } 500 \text{ V}$$

Basic specification

IEC 115-4 and MIL-R-11804/E, char. G

Climatic category (IEC 68)

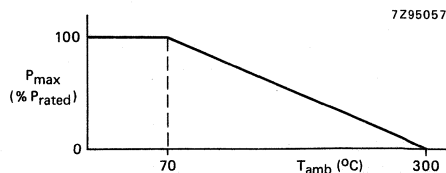
55/200/56

Temperature rise (ΔT) of the resistor body as a function of dissipation

see Figs 4 and 5

Lead length (l) as a function of dissipation with temperature rise at end of lead (soldering place) as parameter

see Figs 6 and 7

Fig. 3 Maximum dissipation (P_{max}) as a function of the ambient temperature (T_{amb}).

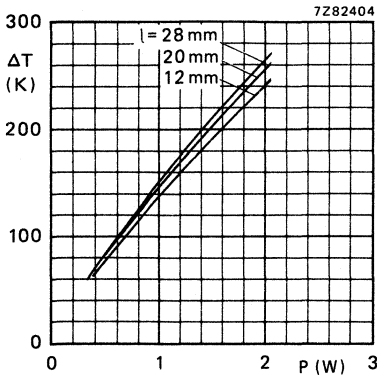


Fig. 4 Hot-spot temperature rise (ΔT) versus dissipated power (P) at different lead lengths (l), copper-clad iron leads $\phi = 0,6$ mm.

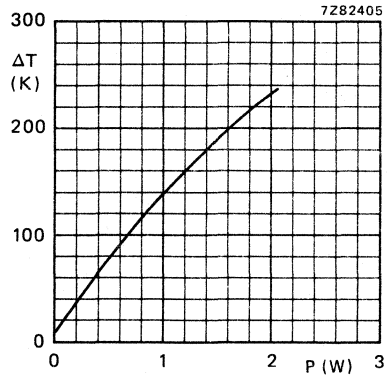


Fig. 5 Hot-spot temperature rise (ΔT) versus dissipated power (P), copper leads $\phi = 0,8$ mm.

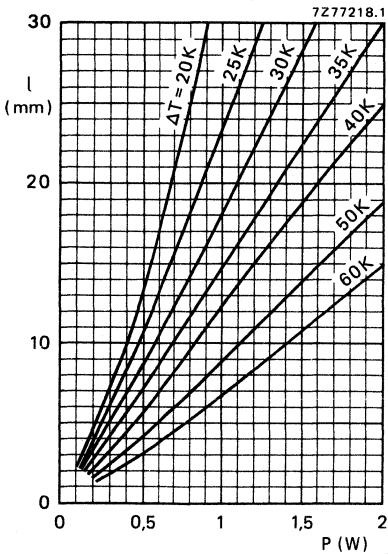


Fig. 6 Lead length l versus dissipated power with ΔT as a parameter, copper-clad iron leads $\phi = 0,6$ mm.

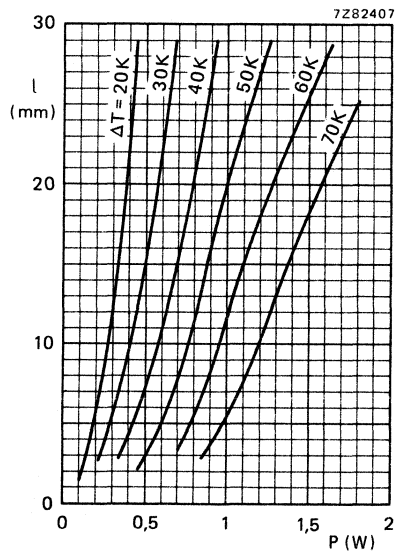


Fig. 7 Lead length l versus dissipated power with ΔT as a parameter, copper leads $\phi = 0,8$ mm.

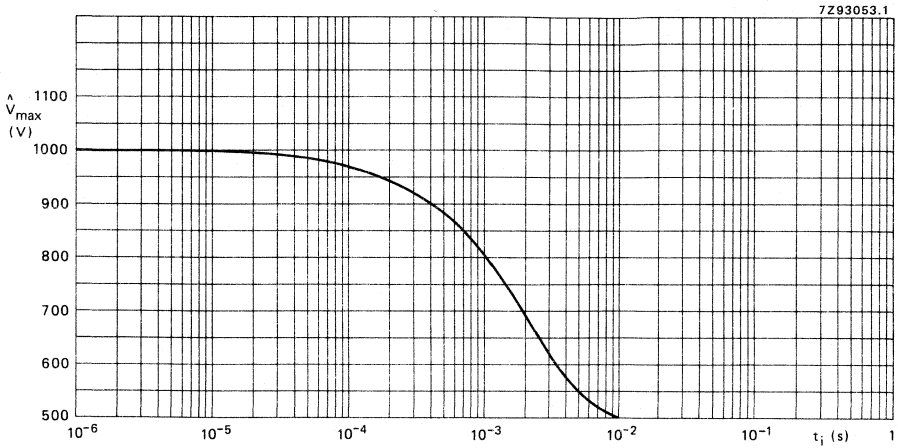


Fig. 8 Max. permissible peak pulse voltage (\hat{V}_{max}) versus pulse duration (t_i).

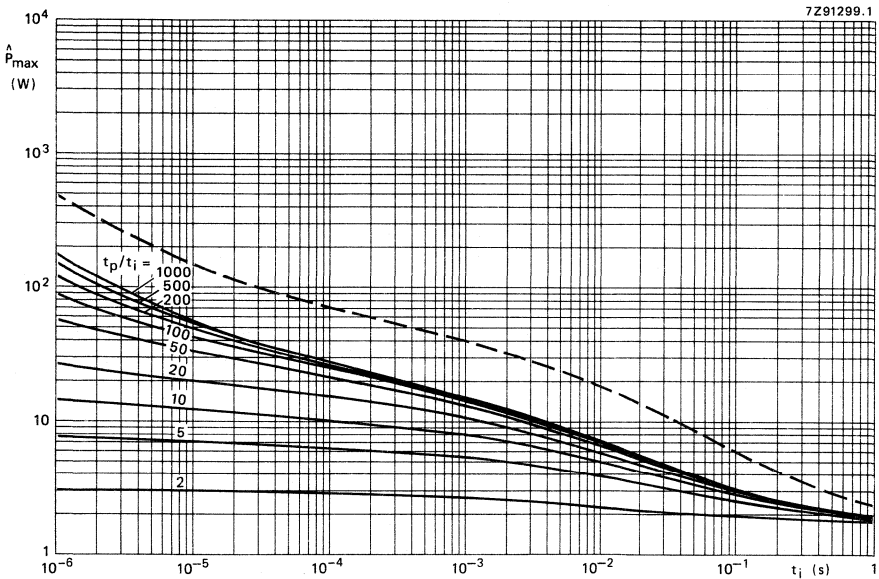


Fig. 9 Max. permissible peak pulse power (\hat{P}_{max}) versus pulse duration (t_i).



TESTS AND REQUIREMENTS

Essentially all tests are carried out according to the schedule of IEC publication 115-1, category 55/200/56 (rated temperature range -55 to $+200$ °C; damp heat, long term, 56 days) and along the lines of IEC publication 68, "Recommended basic climatic and mechanical robustness testing procedure for electronic components". In the following table the tests are listed with reference to the relevant clauses of IEC publications 115-1 and 68; a short description is also given of the test procedure and requirements. In some instances deviations from the IEC recommendation were necessary for our method of specifying.

Table 4

IEC 115-1 clause	IEC 68 test method	test	procedure	requirements
4.16		Robustness of terminations		
4.16.2	Ua	Tensile all samples	load 10N; 10 s	} number of failures < 10 ppm
4.16.3	Ub	Bending half number of samples	load 5N; 4 x 90°	
4.16.4	Uc	Torsion other half number of samples	3 x 360° in opposite directions	
4.17	Ta	Soldering	solderability: 2 s 230 °C, flux 600	good tinning, no damage
4.18	Tb		thermal shock: 3 s 350 °C, 6 mm from body	ΔR max. 0,5% + 0,05 Ω
4.19	Na	Rapid change of temperature	$\frac{1}{2}$ h -55 °C/ $\frac{1}{2}$ h $+155$ °C, 5 cycles	ΔR max. 2% no damage
4.20	Eb	Bump	3 x 1500 bumps in three directions, 40g	no damage ΔR max. 0,5% + 0,05 Ω
4.22	Fc	Vibration	frequency 10-500 Hz, displacement 1,5 mm or acceleration 10g, three dimensions; total 6 h (3 x 2 h)	no damage ΔR max. 0,5% + 0,05 Ω

IEC 115-1 clause	IEC 68 test method	test	procedure	requirements
4.23		Climatic sequence		
4.23.2	Ba	Dry heat	16 h, 155 °C	
4.23.3	Db	Damp heat (accel.) 1st cycle	24 h; 55 °C; 95-100% R.H.	
4.23.4	Aa	Cold	2 h; -55 °C	
4.23.5	M	Low air pressure	1 h; 8,5 kPa; 15-35 °C	
4.23.6	Db	Damp heat (accel.) remaining cycles	5 days; 55 °C; 95-100% R.H.	R_{ins} min. 1000 M Ω ΔR max. 3%
4.24.2	Ca	Damp heat steady state	56 days; 40 °C; 90-95% R.H. dissipation 0,01 P _n	R_{ins} min. 1000 M Ω ΔR max. 3%
4.25.1	--	Endurance	1000 hours; 70 °C P _n or V _{max}	ΔR max. 5%
4.8.4.2	--	Temperature coefficient	between -55 °C and +155 °C	$R \leq 10 \Omega$: $\leq \pm 350 \cdot 10^{-6} / K$ $R > 10 \Omega$: $\leq \pm 250 \cdot 10^{-6} / K$
4.7	--	Voltage proof on insulation	500 V (r.m.s.) during 1 min., V. block method	no breakdown
4.12	--	Noise	IEC publication 195	
4.6.1.1	--	Insulation resistance	500 V (r.m.s.) during 1 minute V block method	min. 10 ⁴ M Ω
*	--	Pulse load		see Figs 8 and 9

*See 2nd amendment to IEC 115-1 and present 40 central office 532 & 533.

STANDARD PACKAGING

type and style	quantity per box	
	on bandolier ammopack	bulk loose
straight leads	1000	
cropped and formed leads, h = 8 mm h = 15 mm		1000 500

Configuration of bandolier

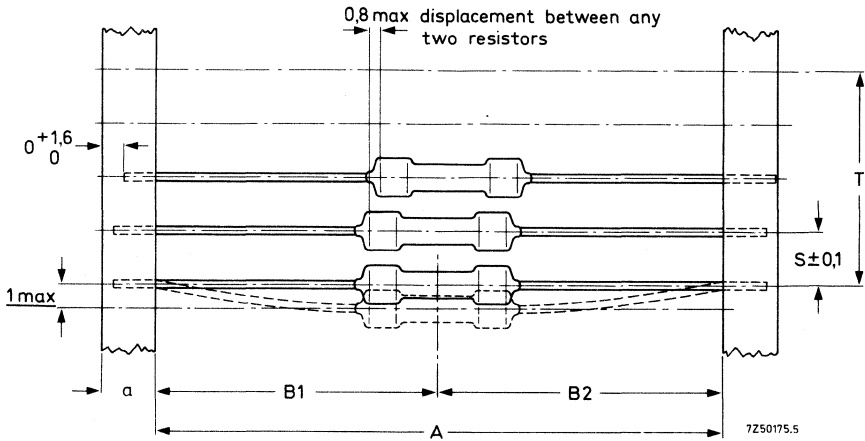


Fig. 10.

type	a ± 0,5	A ± 1,5	B1 - B2 ± max.	S (spacing)	T (max. deviation of spacing)
PR37	6	73	1,2	5	\ 1 mm per 10 spacings / 0,5 mm per 5 spacings

Dimensions of ammpack

	M	N	P
1000 resistors	97	59	262

POWER METAL FILM RESISTORS

QUICK REFERENCE DATA

Resistance range	1 Ω to 1 M Ω , E24 series		
Resistance tolerance	$\pm 5\%$		
Max. body temperature (hot spot)	300 $^{\circ}\text{C}$		
Rated dissipation at $T_{\text{amb}} = 70^{\circ}\text{C}$			
R ≤ 51 k Ω	2,5 W		
R > 51 k Ω	2,0 W		
V_{max} (r.m.s.)	750 V		
Basic specification	MIL-R-11804/2, char. G and IEC 115-4		
Climatic category (IEC 68)	55/200/56		
		requirement	typical values
Stability after,			
1000 h max. load	$\Delta R/R$	max. 5%	R ≤ 51 k Ω $\leq 2,5\%$ R > 51 k Ω $\leq 2,5\%$
climatic tests	$\Delta R/R$	max. 3%	$\leq 0,5\%$ $\leq 1\%$
soldering test	$\Delta R/R$	max. 1%	$\leq 0,1\%$ $\leq 0,1\%$

DESCRIPTION

A homogeneous film of metal alloy is deposited on a high grade ceramic body. After a helical groove has been cut in the resistive layer, tinned connecting wires of electrolytic copper or copper-clad iron are welded to the end-caps, which are force-fitted to the body.

The resistor has a red non-inflammable coating of a protective silicon lacquer which can withstand 500 V (r.m.s.) and is resistant against most of the commonly used cleaning solvents according to MIL-STD-202E, method 215 and IEC 68-2-45.

COMPOSITION OF THE CATALOGUE NUMBER

2322 192	8 for R = 1 to 9,1 Ω
		9 for R = 10 to 91 Ω
		1 for R = 100 to 910 Ω
		2 for R = 1 000 to 9 100 Ω
		3 for R = 10 000 to 91 000 Ω
		4 for R = 100 000 to 910 000 Ω
		5 for R = 1000 000 Ω
style code		mounting height (h), Fig. 2
3 = straight copper-clad iron leads, ϕ 0,6		0 = 8
4 = cropped and formed copper-clad iron leads ϕ 0,6		1 = 15
5 = straight copper leads, ϕ 0,8		0 = straight lead version
6 = cropped and formed copper leads, ϕ 0,8		first two digits of the resistance value (E24 series)

MECHANICAL DATA

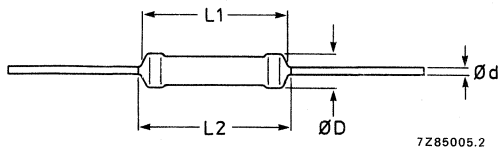


Fig. 1 Version with straight leads, see Table 1.

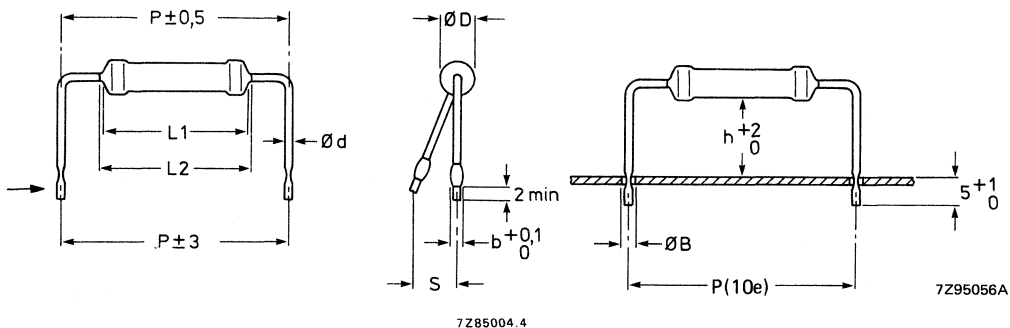


Fig. 2 Version with cropped and formed leads.

Table 1

type	leads	D _{max}	L _{1max}	L _{2max}	d	b	h	S _{max}	P	B φ _{max}
PR52	copper-clad	5,2	16,7	17,9	0,6	1,1	8	2	25,4	1,0
	iron	5,2	16,7	17,9	0,6	1,1	15	3	25,4	1,0
	copper	5,2	16,7	17,9	0,8	1,3	8	2	25,4	1,2
		5,2	16,7	17,9	0,8	1,3	15	3	25,4	1,2

Mass 92 g per 100 resistors

Mounting

The resistors must be mounted stress free so as to allow thermal expansion over the wide permissible temperature range. The mounting pitch of version with cropped and formed leads is 10e (25,4 mm).

Marking

Each resistor is marked with:

- resistance value (R for Ω, K for kΩ and M for MΩ).
- tolerance on resistance in %.

Example: 27 R ± 5%.

ELECTRICAL DATA

Standard values of rated resistance and tolerance

Standard values of rated resistance (nominal resistance) are taken from the E24 series within the range $2,2 \Omega$ to $1 \text{ M}\Omega$. E24 series of values is given in the table "Standard series of values in a decade" at the back of the handbook. The tolerance on the rated resistance is $\pm 5\%$.

Table 2

type	leads			mounting height (h, Fig. 2)	resistance range	catalogue number 2322 followed by
	style	dia. mm	material			
PR52	straight	0,6	copper-clad iron	—	1Ω to $1 \text{ M}\Omega$	192 3 . . 0 . 192 5 . . 0 .
		0,8	copper	—		
	cropped and formed	0,6	copper-clad iron	8	1Ω to $1 \text{ M}\Omega$	192 4 . . 0 . 192 6 . . 0 . 192 4 . . 1 . 192 6 . . 1 .
		0,8	copper	8		
		0,6	copper-clad iron	15		
	0,6	copper	15			

To complete the catalogue number, see Composition of the Catalogue Number. For quantities and packing see Standard packaging.

Temperature coefficient

$$R \geq 10 \Omega$$

$$\text{max. } \pm 250 \cdot 10^{-6} / \text{K}$$

$$R < 10 \Omega$$

$$\text{max. } \pm 350 \cdot 10^{-6} / \text{K}$$

Maximum body temperature (hot spot)

$$300 \text{ }^\circ\text{C}$$

Rated dissipation at $T_{\text{amb}} = 70 \text{ }^\circ\text{C}$

$$R \leq 51 \text{ k}\Omega \quad 2,5 \text{ W}$$

$$R > 51 \text{ k}\Omega \quad 2,0 \text{ W}$$

Dielectric withstanding r.m.s. voltage of the installation for 1 min

$$\text{min. } 500 \text{ V}$$

Maximum voltage (r.m.s.)

$$750 \text{ V}$$

Basic specification

$$\text{IEC 115-4 and MIL-R-11804/E, char. G}$$

Climatic category (IEC 68)

$$55/200/56$$

Temperature rise (ΔT) of the resistor body as a function of dissipation

$$\text{see Figs 4 and 5}$$

Lead length (l) as a function of dissipation with temperature rise at end of lead (soldering place) as parameter

$$\text{see Figs 6 and 7}$$

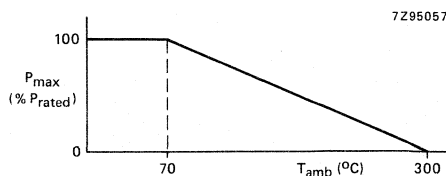


Fig. 3 Maximum dissipation (P_{max}) as a function of the ambient temperature (T_{amb}).

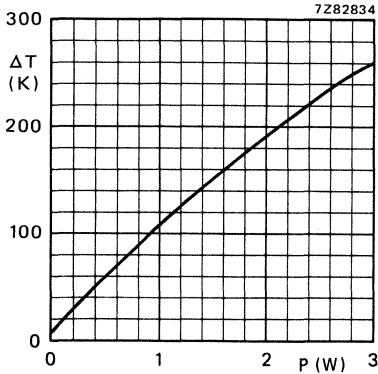


Fig. 4 Hot-spot temperature rise (ΔT) versus dissipated power (P) copper-clad iron leads $\phi = 0,6$ mm.

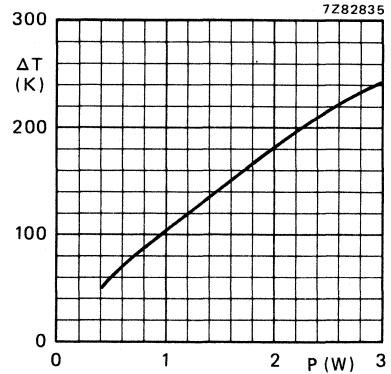


Fig. 5 Hot-spot temperature rise (ΔT) versus dissipated power (P), copper leads $\phi = 0,8$ mm.

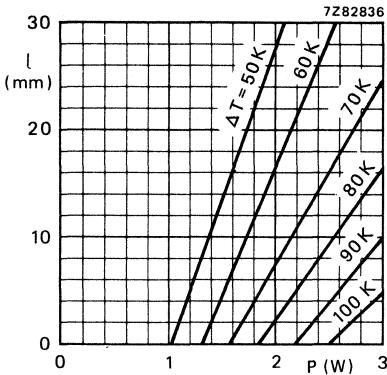


Fig. 6 Lead length l versus dissipated power with ΔT as a parameter, copper-clad iron leads $\phi = 0,6$ mm.

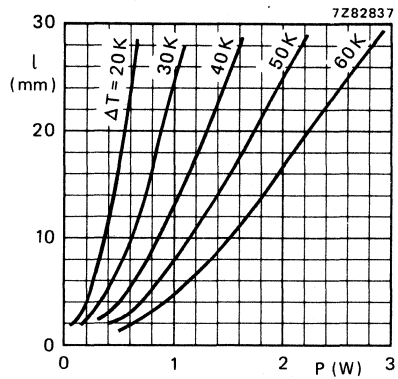


Fig. 7 Lead length l versus dissipated power with ΔT as a parameter, copper leads $\phi = 0,8$ mm.

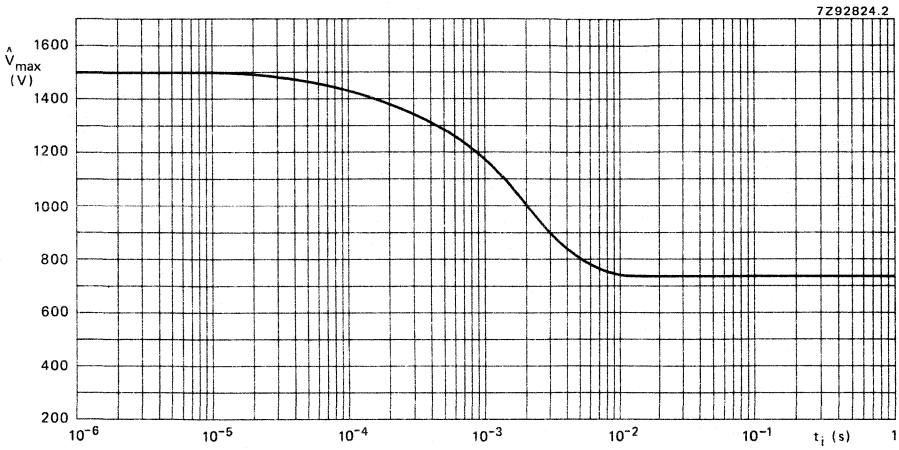


Fig. 8 Max. permissible peak pulse voltage (\hat{V}_{max}) versus pulse duration (t_i).

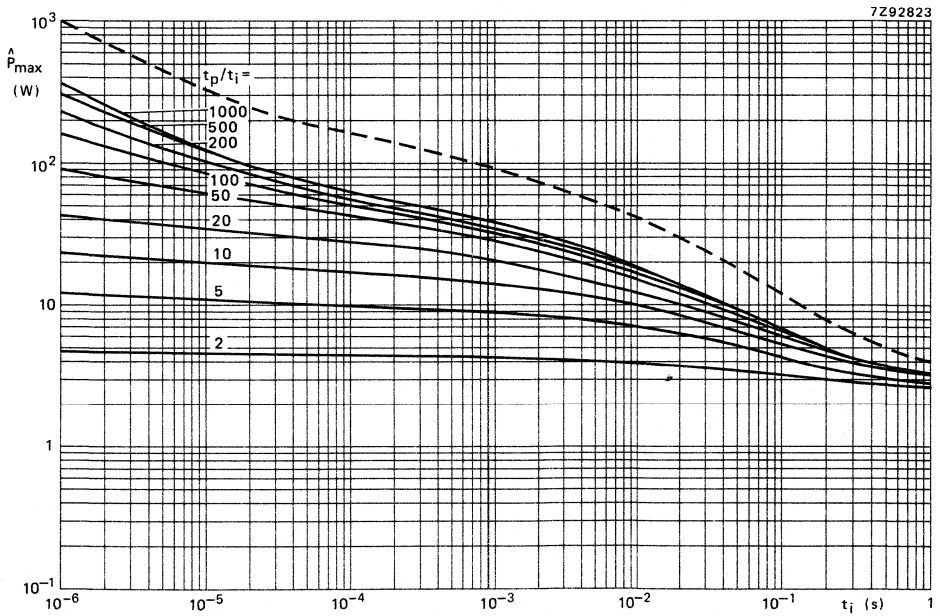


Fig. 9 Max. permissible peak pulse power (\hat{P}_{max}) versus pulse duration (t_i).

TESTS AND REQUIREMENTS

Essentially all tests are carried out according to the schedule of IEC publication 115-1, category 55/200/56 (rated temperature range -55 to $+200$ °C; damp heat, long term, 56 days) and along the lines of IEC publication 68, "Recommended basic climatic and mechanical robustness testing procedure for electronic components". In the following table the tests are listed with reference to the relevant clauses of IEC publications 115-1 and 68; a short description is also given of the test procedure and requirements. In some instances deviations from the IEC recommendation were necessary for out method of specifying.

Table 4

IEC 115-1 clause	IEC 68 test method	test	procedure	requirements
4.16		Robustness of terminations		
4.16.2	Ua	Tensile all samples	load 10N; 10s	number of failures < 10 ppm
4.16.3	Ub	Bending half number of samples	load 5N; 4 x 90°	
4.16.4	Uc	Torsion other half number of samples	3 x 360° in opposite directions	
4.17	Ta	Soldering	solderability: 2 s 230 °C, flux 600	good tinning. no damage
4.18	Tb		thermal shock: 3 s 350 °C, 6 mm from body	ΔR max. 0,5% + 0,05 Ω
4.19	Na	Rapid change of temperature	½ h -55 °C/½ h + 155 °C. 5 cycles	ΔR max. 2% no damage
4.20	Eb	Bump	3 x 1500 bumps in three directions, 40g	no damage ΔR max. 0,5% + 0,05 Ω
4.22	Fc	Vibration	frequency 10-500 Hz, displacement 1,5 mm or acceleration 10g, three dimensions; total 6 h (3 x 2 h)	no damage ΔR max. 0,5% + 0,05 Ω

IEC 115-1 clause	IEC 68 test method	test	procedure	requirements
4.23		Climatic sequence		
4.23.2	Ba	Dry heat	16 h, 155 °C	
4.23.3	Db	Damp heat (accel.) 1st cycle	24 h; 55 °C; 95-100% R.H.	
4.23.4	Aa	Cold	2 h; -55 °C	
4.23.5	M	Low air pressure	1 h; 8,5 kPa; 15-35 °C	
4.23.6	Db	Damp heat (accel.) remaining cycles	5 days; 55 °C; 95-100% R.H.	R_{ins} min. 1000 M Ω ΔR max. 3%
4.24.2	Ca	Damp heat steady state	56 days; 40 °C; 90-95% R.H. dissipation 0,01 P _n	R_{ins} min. 1000 M Ω ΔR max. 3%
4.25.1	—	Endurance	1000 hours; 70 °C P _n or V _{max}	ΔR max. 5%
4.8.4.2	—	Temperature coefficient	between -55 °C and + 155 °C	$R \leq 10 \Omega \leq \pm 350 10^{-6}/K$ $R > 10 \Omega \leq \pm 250 10^{-6}/K$
4.7	—	Voltage proof on insulation	500 (r.m.s) during 1 min., V. block method	no breakdown
4.12	—	Noise	IEC publication 195	
4.6.1.1	—	Insulation resistance	500 V (r.m.s.) during 1 minute V block method	min. 10 ⁶ M Ω
*	—	Pulse load		see Figs 8 and 9

* See 2nd amendment to IEC 115-1 and present 40 Central Office 532 & 533.

STANDARD PACKAGING

type and style	quantity per box	
	on bandolier ammopack	bulk loose
straight leads	500	
cropped and formed leads, h = 8 mm h = 15 mm		500 250

Dimensions of bandolier

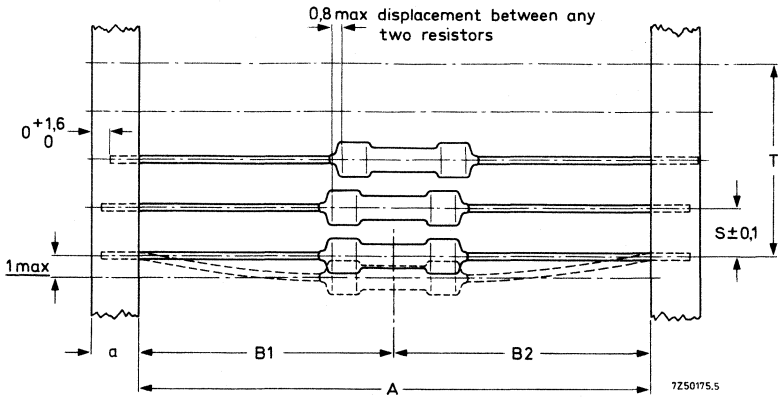
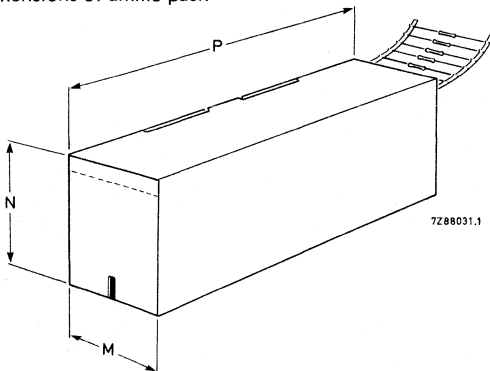


Fig. 10.

type	a	A	B1 - B2	S (spacing)	T (max. deviation of spacing)
PR52	$\pm 0,5$ 6	$\pm 1,5$ 80	$\pm \text{max.}$ 1,2	10	1 mm per 10 spacings 0,5 mm per 5 spacings

Dimensions of ammo pack



M	N	P
99	77	259

WIREWOUND — AC, ACL, WR, EH

CEMENTED WIREWOUND RESISTORS

QUICK REFERENCE DATA

Resistance range	0,1 Ω to 33 k Ω , E24 series
Resistance tolerance	\pm 5% or \pm 10%
Max. permissible body temperature (hot spot)	350 $^{\circ}$ C
Rated dissipation at $T_{amb} = 40$ $^{\circ}$ C	AC03: 3 W
	AC04: 4 W, AC10 = 10 W
	AC05: 5 W, AC15 = 15 W
	AC07: 7 W, AC20 = 20 W
Basic specification	IEC 266
Climatic category (IEC 68)	40/200/56
Stability after	
load	$\Delta R/R$ max. 5%
climatic tests	$\Delta R/R$ max. 5%
short time overload	$\Delta R/R$ max. 2%

APPLICATION

These resistors have been designed to dissipate high powers in a small volume.

DESCRIPTION

The resistor element is wound in a single layer on a ceramic rod. Metal caps are pressed over the ends of the rod. The ends of the resistance wire and the leads are connected to the caps by welding. Tinned copper-clad iron leads with poor heat conductivity are employed permitting the use of relatively short leads to obtain stable mounting. The resistor is coated with a green silicon cement which is non-inflammable and cannot drip even at high overloads, and is resistant to most commonly used cleaning solvents, according to MIL-STD-202E, method 215 and IEC 68-2-45.

MECHANICAL DATA

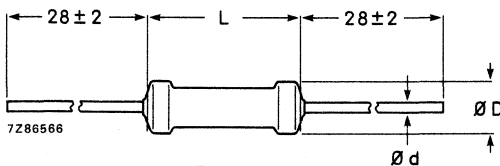


Fig. 1a.

Note: The lead length (28 ± 2 mm) only applies to untaped resistors, i.e. types AC10, AC15 and AC20.

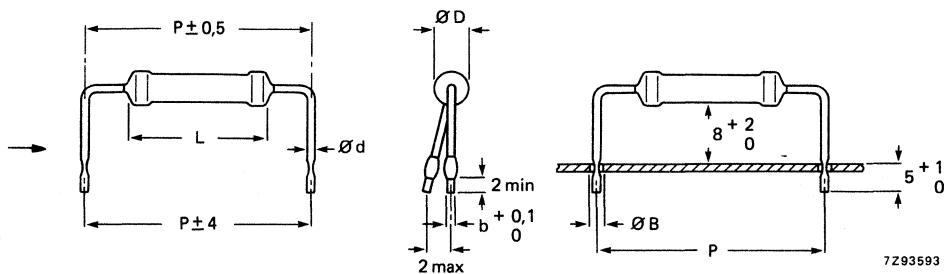


Fig. 1b Version with cropped and formed leads.

Only for AC04, AC05 and AC07; available on special request.

Table 1

type	Fig.	D_{max}	L_{max}	d	b	P	B ϕ max
AC03	1a	5,5	13	0,8			
AC04	1a, 1b	5,5	17	0,6	1,1	10e	1,0
AC05	1a, 1b	7,5	17	0,8	1,3	10e	1,2
AC07	1a, 1b	7,5	25	0,8	1,3	13e	1,2
AC10	1a	8	44	0,8			
AC15	1a	10	51	0,8			
AC20	1a	10	67	0,8			

The length of the body is measured by inserting the leads into the holes of two identical gauge plates and moving these plates parallel to each other until the resistor body is clamped without deformation (IEC publication 294). For leads of 0,6 mm diameter, the diameter of the holes is 1,0 mm; for leads of 0,8 mm diameter the holes are 1,2 mm.

Mass (per 100)

AC03	80 g
AC04	100 g
AC05	175 g
AC07	225 g
AC10	530 g
AC15	840 g
AC20	1090 g

Mounting

The resistors AC03, AC04, AC05 and AC07 are suitable for processing on cutting and bending machines. Care should be taken that the temperature rise of the resistor body does not affect nearby components or materials by conducted or convected heat. The temperature rise of the resistor body and of leads of different lengths is given as a function of the dissipation in Figs 2 and 3.

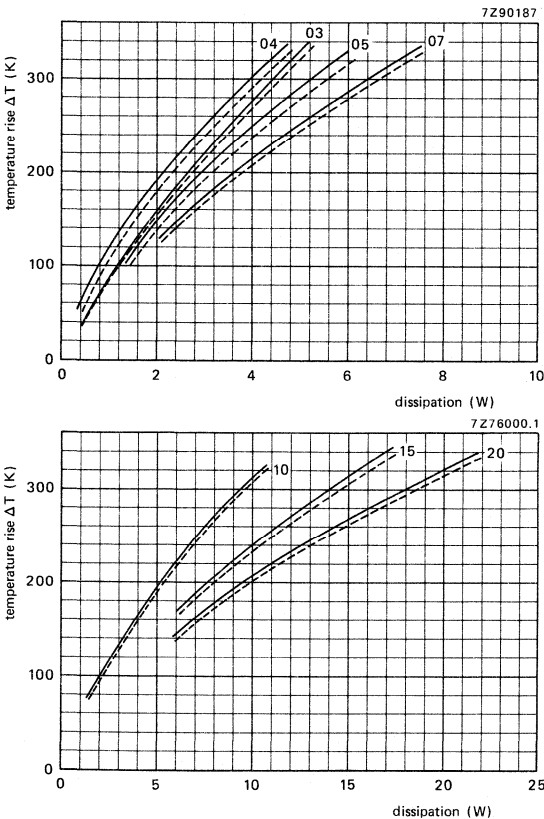


Fig. 2 Temperature rise of the resistor body as a function of the dissipation.

— for lead length of 25 mm
- - - for lead length of 10 mm

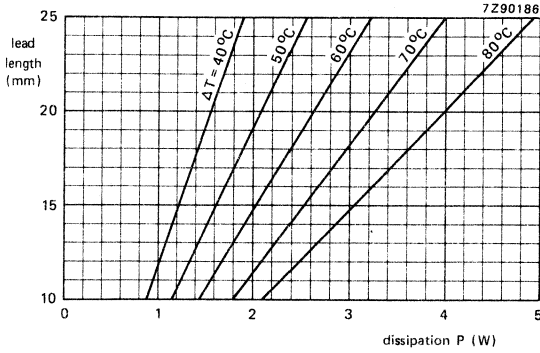


Fig. 3 Lead length as a function of the dissipation with the temperature rise at the end of the lead (soldering spot) as parameter, for style AC03.

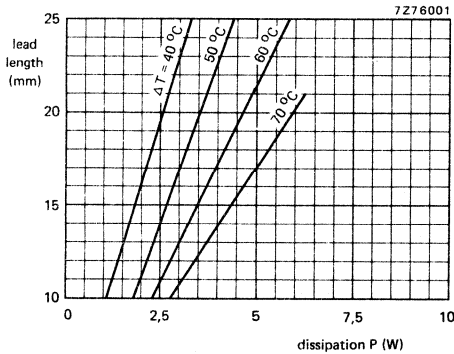


Fig. 4 Lead length as a function of the dissipation with the temperature rise at the end of the lead (soldering spot) as parameter, for style AC04.

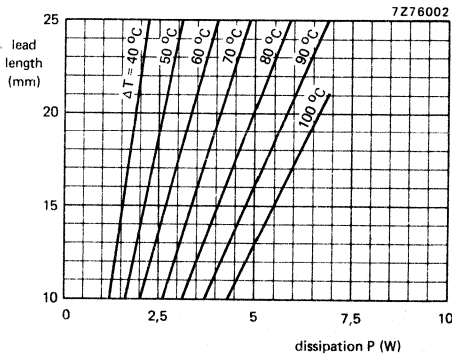


Fig. 5 Lead length as a function of the dissipation with the temperature rise at the end of the lead (soldering spot) as parameter, for style AC05.

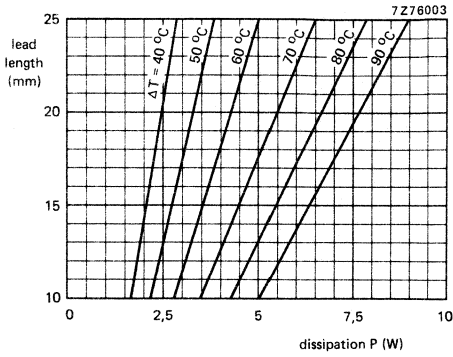


Fig. 6 Lead length as a function of the dissipation with the temperature rise at the end of the lead (soldering spot) as parameter, for style AC07.

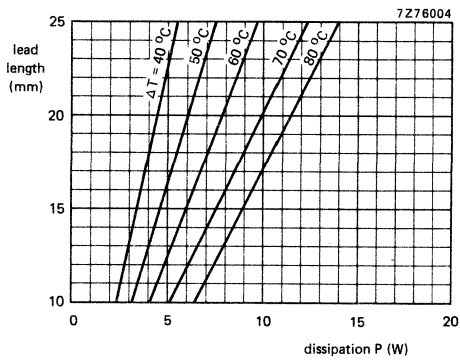


Fig. 7 Lead length as a function of the dissipation with the temperature rise at the end of the lead (soldering spot) as parameter, for style AC10.

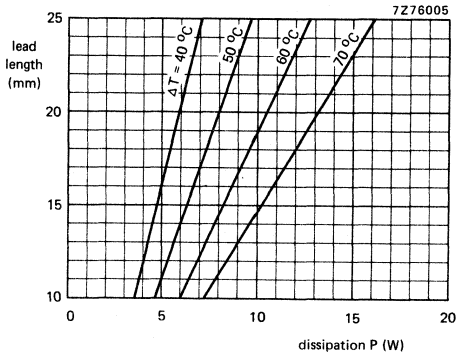


Fig. 8 Lead length as a function of the dissipation with the temperature rise at the end of the lead (soldering spot) as parameter, for style AC15.

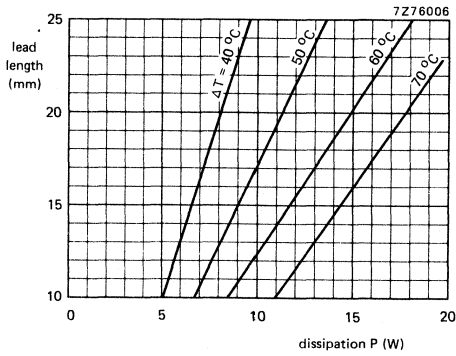


Fig. 9 Lead length as a function of the dissipation with the temperature rise at the end of the lead (soldering spot) as parameter, for style AC20.

Marking

The nominal resistance (R for Ω , K for $k\Omega$), the tolerance on the resistance and the rated dissipation at $T_{amb} = 40^\circ\text{C}$ are printed on the resistor body, e.g. 27 R 5% 4 W.

ELECTRICAL DATA**Standard values of rated resistance and tolerance**

Standard values of rated resistance (nominal resistance) are taken from the E24 series, tolerance $\pm 5\%$ or $\pm 10\%$ within the range $0,1 \Omega$ to $33 k\Omega$ as per Table 2. See the table "Standard series of values in a decade" at the back of the Handbook.

Table 2

type	rated dissipation (W)		resistance range Ω	tol. %	catalogue number
	$T_{amb} = 40^\circ\text{C}$	$T_{amb} = 70^\circ\text{C}$			
AC03	3	2,5	0,1 - 8,2	10	2322 329 33 ...
			10 - 3000	5	2322 329 03 ...
AC04	4	3,5	0,1 - 8,2	10	2322 329 34 ...
			10 - 4700	5	2322 329 04 ...
AC05	5	4,7	0,1 - 8,2	10	2322 329 35 ...
			10 - 5600	5	2322 329 05 ...
AC07	7	5,8	0,1 - 8,2	10	2322 329 37 ...
			10 - 10000	5	2322 329 07 ...
AC10	10	8,4	0,68 - 8,2	10	2322 329 40 ...
			10 - 15000	5	2322 329 10 ...
AC15	15	12,5	0,82 - 8,2	10	2322 329 45 ...
			10 - 22000	5	2322 329 15 ...
AC20	20	16	1,2 - 8,2	10	2322 329 50 ...
			10 - 33000	5	2322 329 20 ...

Maximum permissible body temperature

350 $^\circ\text{C}$

Ambient temperature range

-40 to +200 $^\circ\text{C}$

Temperature coefficient

-80 to +140 $\cdot 10^{-6}/\text{K}$ Values < 10 Ω +600 $\cdot 10^{-6}/\text{K}$

Climatic category (IEC68)

40/200/56

COMPOSITION OF THE CATALOGUE NUMBER

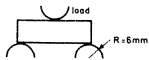
The catalogue number in the above table is completed by inserting the resistance code: the first two figures of the resistance followed by:

7 for R = 0,1 to 0,82 Ω 8 for R = 1 to 8,2 Ω 9 for R = 10 to 91 Ω 1 for R = 100 to 910 Ω 2 for R = 1 to 9,1 $k\Omega$ 3 for R = 10 to 33 $k\Omega$

TESTS AND REQUIREMENTS

Essentially all tests are carried out according to the schedule of IEC publications 266 and 266A category 40/200/56 (rated temperature range -40 to $+200$ °C; damp heat, long term, 56 days) and along the lines of IEC publication 68. "Recommended basic climatic and mechanical robustness testing procedure for electronic components". In the following table the tests are listed with reference to the relevant clauses of IEC publications 266, 266A and 68; a short description is also given of the test procedure and requirements. In some instances deviations from the IEC recommendation were necessary for our method of specifying.

Table 4

IEC 266 clause	IEC 68 test method	test	procedure	requirements
14		Robustness of resistor body	 load 200 ± 10 N	no visible damage $\Delta R \leq 0,5\% + 0,05 \Omega$
15	U Ua Ub Uc	Robustness of terminations: Tensile all samples Bending half number of samples Torsion other half number of samples	load 10 N; 10 s load 5 N; $4 \times 90^\circ$ $2 \times 180^\circ$ in opposite directions	no visible damage ΔR max. $0,5\% + 0,05 \Omega$
16	T	Soldering	solderability: 2 s 230 °C, flux 600 thermal shock: 3 s 350 °C, 2,5 mm from body	good tinning, no damage ΔR max. $0,5\% + 0,05 \Omega$
17	Na	Rapid change of temperature	$\frac{1}{2}$ h -40 °C/ $\frac{1}{2}$ h $+200$ °C, 5 cycles	no visible damage ΔR max. $1\% + 0,05 \Omega$
18	Fc	Vibration	frequency 10-500 Hz, displacement 0,75 mm or acceleration 10g, three directions; total 6 h (3×2 h)	no visible damage ΔR max. $0,5\% + 0,05 \Omega$
19	Eb	Bump	4000 ± 10 bumps 390 m/s ²	no visible damage ΔR max. $0,5\% + 0,05 \Omega$

IEC 266 clause	IEC 68 test method	test	procedure	requirements
20	Ba	Climatic sequence		
20.2		Dry heat	16 h, 200 °C	
20.3		Damp heat (accel) 1st cycle	24 h; 55 °C; 95-100% R.H.	
20.4	Aa	Cold	2 h; -40 °C	
20.5	M	Low air pressure	1 h; 8,5 kPa; 15-35 °C	
20.6	D	Damp heat (accel) re-remaining cycles	5 days; 55 °C; 95-100% R.H.	after 24 h at P_n ΔR max. 1% + 0,05 Ω
21	Ca	Damp heat steady state	56 days; 40 °C; 90-95% R.H. dissipation $\leq 0,01 P_n$	ΔR max. 1% + 0,05 Ω
22	—	Endurance	1000 h at 70 °C	ΔR max. 5%
23			1000 h at 200 °C	ΔR max. 5%
13.6		Overload	10 x P_n , 5 s	ΔR max. 2%

STANDARD PACKAGING

type	quantity per box	
	bandolier	bulk
AC03	500	
AC04	500	
AC05	500	
AC07	500	
AC10		100
AC15		100
AC20		100

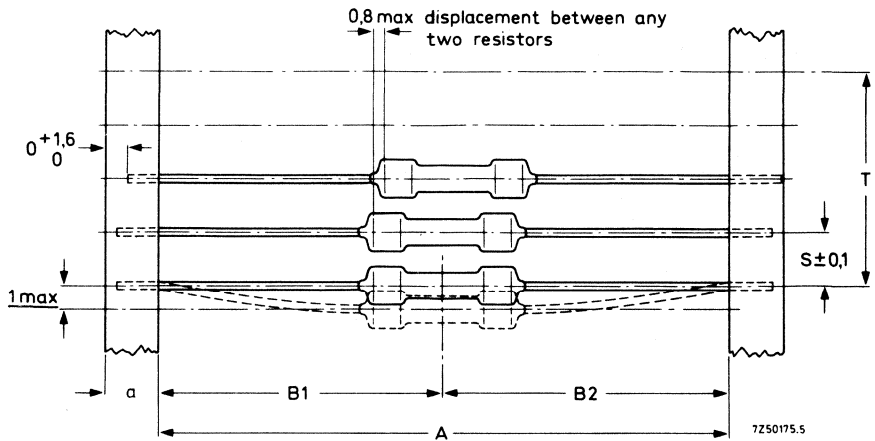


Fig. 4.

type	a ± 0,5	A ± 4	B1 - B2 ± max.	S (spacing)	T (max. deviation of spacing)
AC03	5	66	1,2	10	1 mm per 10 spacings 0,5 mm per 5 spacings
AC04	5 or 6	66	1,2	10	
AC05	6	66	1,2	10	
AC07	6	74	1,2	10	

CEMENTED WIREWOUND RESISTORS

These wirewound resistors are specially designed to dissipate high powers in a small volume.

QUICK REFERENCE DATA

Resistance range		from 0,1 Ω to 12 k Ω , E24 or E12 series
Resistance tolerance		$\pm 5\%$ or $\pm 10\%$
Maximum body temperature		350 $^{\circ}\text{C}$
Rated dissipation at $T_{\text{amb}} = 70^{\circ}\text{C}$	ACL01	1 W
	ACL02	2 W
	ACL03	3 W
Basic specification		IEC publication 266
Climatic category (IEC 68, DIN 40045)		40/200/56
Stability after:		
load, 1000 h		$\Delta R/R$ max. 3%
climatic tests		$\Delta R/R$ max. 5%
short time overload		$\Delta R/R$ max. 2%

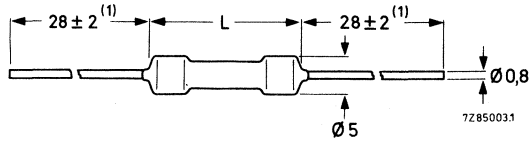
DESCRIPTION

The resistor element is wound in a single layer on a glass-fibre rod. Metal caps are pressed over the ends of the rod. The ends of the resistance wire and the leads are connected to the caps by welding. Tinned copper-clad iron leads with poor heat conductivity are employed permitting the use of relatively short leads to obtain stable mounting. The resistor is coated with a green silicon cement which is non-flammable and cannot drip even at high overloads.

MECHANICAL DATA

Dimensions in mm

Outlines



(1) If taped: 35 mm.

Fig. 1 Standard version with straight leads.

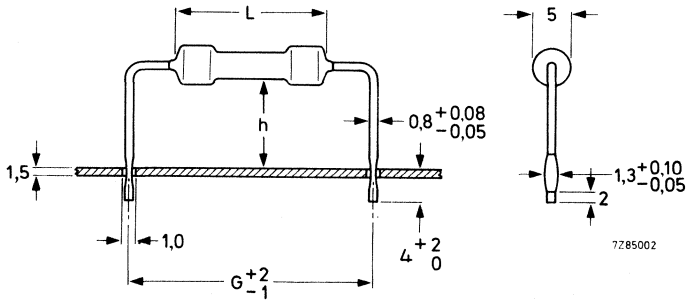


Fig. 2 Special version with cropped and formed leads, available on special request.

Table 1

type	L _{max}	G	h
ACL01	16	20	8 or 15
ACL02	24	27,5	8 or 15
ACL03	34	—	8 or 15

Mass (per 100 pieces)

ACL01	66 g
ACL02	79 g
ACL03	96 g

Mounting

The resistors must be mounted in such a way that:

- no stress is exerted on the leads so as to allow thermal expansion over the wide permissible temperature range.
- nearby components and materials are not affected by the dissipated heat.
- the temperature at the soldering spots of the leads does not reach the melting point of the solder.

The temperature rise of the resistor body and of the leads at various distances from the body is given as a function of the dissipation for the different resistor styles in Figs 3 to 5.

Marking

Each resistor is marked with:

- resistance value (R for Ω , K for $k\Omega$)
e.g. 27 Ω = 27R
15 $k\Omega$ = 15K
- tolerance on resistance in %
- rated dissipation at $T_{amb} = 70\text{ }^{\circ}\text{C}$

Example: 10R 5%
1W

ELECTRICAL DATA

Table 2, standard range

type	rated dissipation (W) $T_{amb} = 70\text{ }^{\circ}\text{C}$	resistance range Ω	tol. %	series	catalogue number
ACL01	1,0	0,10 – 8,2	10	E12	2306 300 02...
		10 – 3900	5	E24	2306 300 03...
ACL02	2,0	0,18 – 8,2	10	E12	2306 301 02...
		10 – 8200	5	E24	2306 301 03...
ACL03	3,0	0,27 – 8,2	10	E12	2306 302 02...
		10 – 12 000	5	E24	2306 302 03...

Maximum permissible body temperature

350 $^{\circ}\text{C}$

Ambient temperature range

–40 to +200 $^{\circ}\text{C}$

Temperature coefficient

–50 to +140 $\cdot 10^{-6}/\text{K}$

Values < 10 Ω

+600 $\cdot 10^{-6}/\text{K}$

Climatic category (IEC 68)

40/200/56

Composition of the catalogue number

In the catalogue number (Table 2) replace the first two dots by the first two digits of the resistance value. Replace the third dot by a figure according to the following table:

0,1	—	0,91	Ω : 7
1	—	9,1	Ω : 8
10	—	91	Ω : 9
100	—	910	Ω : 1
1 000	—	9 100	Ω : 2
10 000	—	22 000	Ω : 3

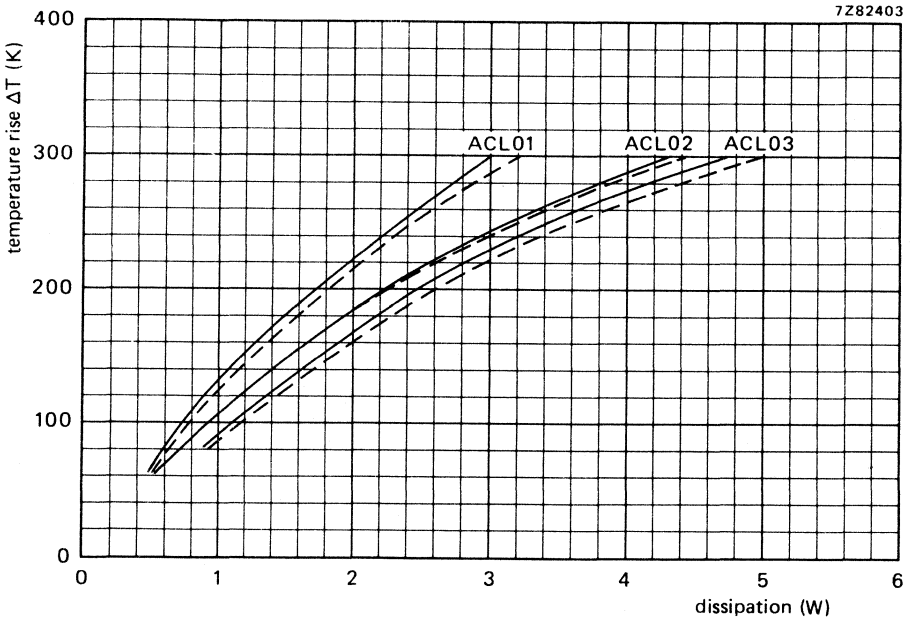


Fig. 3 Temperature rise of the resistor body as a function of the dissipation.
 — for lead length of 18 mm
 - - - for lead length of 10 mm.

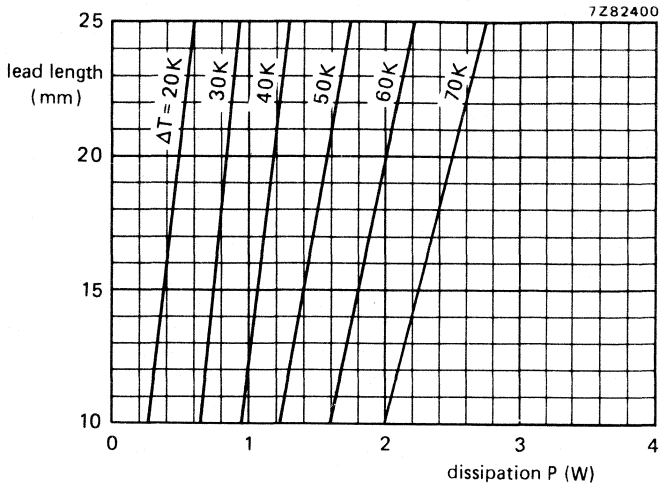


Fig. 4 Lead length as a function of the dissipation with the temperature rise at the end of the lead (soldering spot) as parameter, for style ACL01.

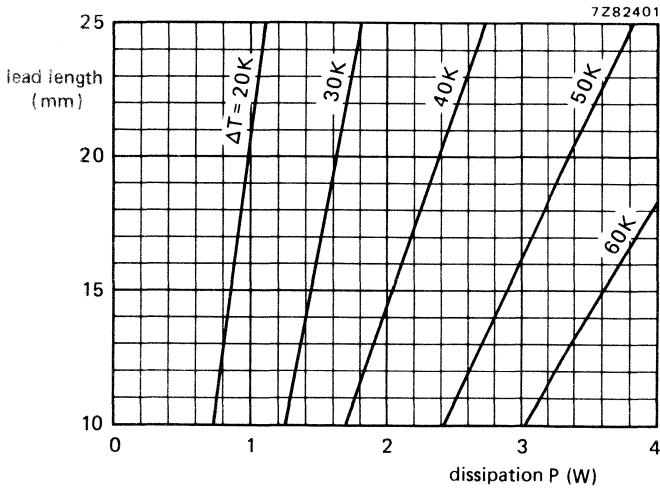


Fig. 5 Lead length as a function of the dissipation with the temperature rise at the end of the lead (soldering spot) as parameter, for style ACL02.

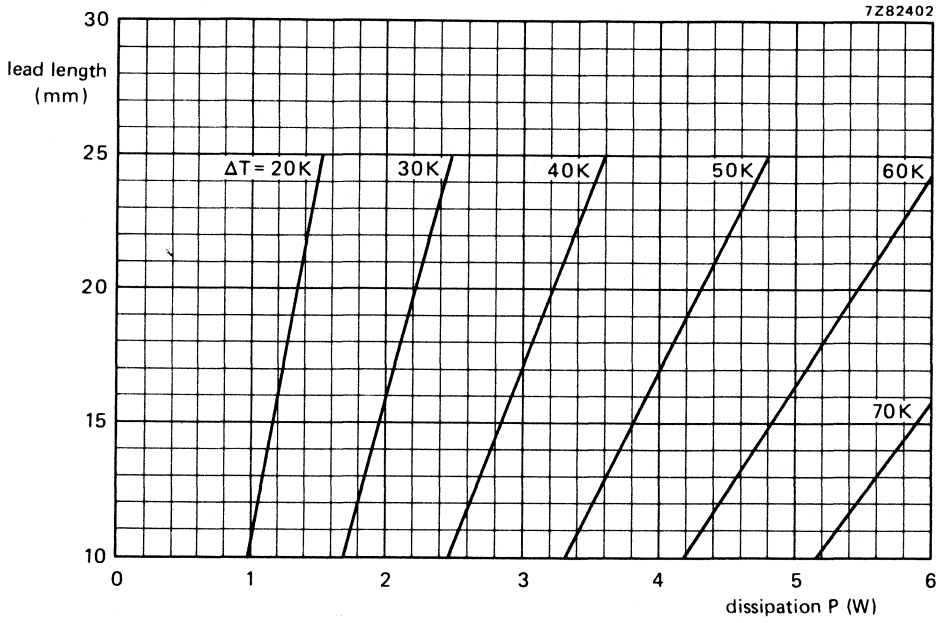


Fig. 6 Lead length as a function of the dissipation with the temperature rise at the end of the lead (soldering spot) as parameter, for style ACL03.

TESTS AND REQUIREMENTS (in accordance with IEC publication 266 and 266 A)

IEC 266 clause	IEC 68 test method	test	procedure	requirements
14		robustness of resistor body	load 200 ± 10 N	no visible damage $\Delta R \leq 0,5\% + 0,05 \Omega$
15	U Ua Ub Uc	robustness of terminations: tensile, all samples bending, half number of samples torsion, other half number of samples	load 10 N, 10 s load 5 N, $4 \times 90^\circ$ $2 \times 180^\circ$ in opposite directions	no visible damage $\Delta R \leq 0,5\% + 0,05 \Omega$
16	T	soldering: solderability thermal shock	2 s 230 °C, flux 600 3 s 350 °C, 2,5 mm from body	good tinning, no damage no damage, $\Delta R \leq 0,5\% + 0,05 \Omega$
17	Na	rapid change of temperature	3 h -40 °C/3 h $+200$ °C, 5 cycles	no visible damage $\Delta R \leq 1\% + 0,05 \Omega$
18	Fc	vibration	10 – 500 Hz, 0,75 mm or 10g, whichever is the less, for 6 h	no visible damage $\Delta R \leq 0,5\% + 0,05 \Omega$
19	Eb	bumping	390 m/s^2 , 4000 ± 10 bumps	no visible damage $\Delta R \leq 0,5\% + 0,05 \Omega$
20 20.2 20.3 20.4 20.5 20.6	Ba Aa M D	climatic sequence: dry heat damp heat (acc) 1st cycle cold low air pressure damp heat (acc) remaining cycles	16 h 200 °C 1 day 55 °C, 95-100% R.H. 2 h -40 °C 1 h $8,5 \text{ kN/m}^2$, 15-35 °C 5 days 55 °C, 95-100% R.H.	final measurements after 24 h at rated diss. $\Delta R \leq 5\%$
21	Ca	damp heat long term	56 days 40 °C, 90-95% R.H., $0,01 P_{\text{rated}}$	$\Delta R \leq 5\%$, after 24 h at rated diss. $\Delta R \leq 5\%$
13.6		overload	10 times rated dissipation, 5 s	$\Delta R \leq 2\%$
22 23		endurance endurance	1000 h at room temperature 1000 h at upper category temp.	$\Delta R \leq 3\%$ $\Delta R \leq 3\%$

STANDARD PACKAGING

Loose: 500 pieces per box
On bandolier: on special request only.

Configuration of bandolier

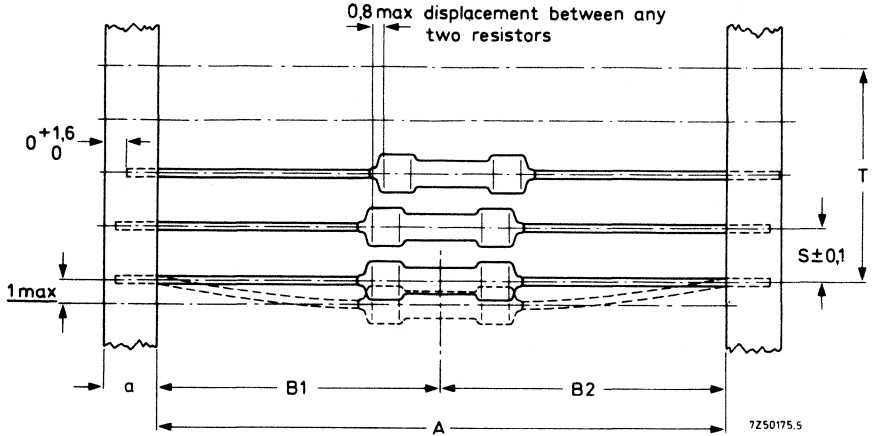


Fig. 7.

type	a ± 0,5	A	B1 – B2 ± max.	S (spacing)	T (maximum deviation of spacing)
ACLU01	6	81 ± 2	1,2	10	} 1 mm per 10 spacings 0,5 mm for 5 spacings
ACLU02	6	87 ± 2	1,2	10	
ACLU03	6	97 ± 2	1,2	10	

ENAMELLED WIREWOUND RESISTORS

QUICK REFERENCE DATA

Resistance ranges		4,7 Ω to 100 k Ω , E24 or E12 series
Resistance tolerance		$\pm 5\%$ or $\pm 10\%$
Max. body temperature (hot spot)		400 $^{\circ}\text{C}$
Rated dissipation at $T_{\text{amb}} = 70\text{ }^{\circ}\text{C}$	WR0617E	4 W
	WR0825E	7 W
	WR0842E	11 W
	WR0865E	17 W
Basic specification		IEC publication 266, type 2
Climatic category (IEC 68)		55/200/56
Stability after:		
1000 h max. load		$\Delta R/R$ max. 5%
climatic tests		$\Delta R/R$ max. 1%
dip-soldering test		$\Delta R/R$ max. 0,5%
short time overload		$\Delta R/R$ max. 2%

APPLICATION

As power resistors in electrical and electronic circuitry.

DESCRIPTION

These resistors have a single layer of resistance wire wound on a ceramic body. Leads of solder-coated copper-clad wire are secured to caps which are force-fitted on to the ends of the ceramic body. The resistor is coated with brown enamel.

MECHANICAL DATA

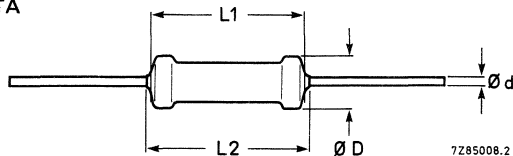


Fig. 1.

Table 1

type	D_{max}	$L1_{\text{max}}$	$L2_{\text{max}}$	a_{max}
WR0617E	6	19	25	3
WR0825E	8	27	33	3
WR0842E	8	44	50	3
WR0865E	8	67	73	3

Note

The lead length (28 ± 2 mm) only applies to untaped resistors, i.e. types WR0842E and WR0865E.

The length of the resistor body is measured by inserting the leads into the holes of two identical gauge plates and by moving these plates parallel to each other until the resistor body is clamped without deformation (see IEC publication 294). The diameter of the holes in the gauge plate is 1,0 mm.

Mass

WR0617E
WR0825E
WR0842E
WR0865E

Mounting

The resistors must be mounted in such a way that:

- no stress is exerted on the leads so as to allow thermal expansion over the wide temperature range.
- nearby components and materials are not affected by the dissipated heat.

Marking

Each resistor is marked with:

- resistance value (R for Ω , K for $k\Omega$)
e.g. 27 Ω = 27R
27 $k\Omega$ = 27K

- tolerance on resistance in %
- rated dissipation at $T_{amb} = 70^\circ\text{C}$

Example: 27R 10%
4W

ELECTRICAL DATA

Table 2

type	rated dissipation at $T_{amb} = 70^\circ\text{C}$ W	resistance range	tol.	series	catalogue number
		Ω	%	*	
WR0617E	4	4,7 – 4700	5	E24	2322 330 22 ...
		4,7 – 47	10	E12	2322 330 21 ...
WR0825E	7	6,8 – 27 000	5	E24	2322 330 32 ...
		6,8 – 27	10	E12	2322 330 31 ...
WR0842E	11	10 – 56 000	5	E24	2322 330 42 ...
WR0865E	17	15 – 100 000	5	E24	2322 330 52 ...

Maximum body temperature (hot spot)	400 $^\circ\text{C}$
Ambient temperature range	-55 to +200 $^\circ\text{C}$
Temperature coefficient	-80 to +140 $\cdot 10^{-6}/\text{K}$
Climatic category (IEC 68)	55/200/56

* See the table "Standard series of values in a decade" at the back of this book.

COMPOSITION OF THE CATALOGUE NUMBER

The catalogue number in Table 2 is completed by inserting the resistance code: the first two significant figures of the resistance value (in Ω) followed by:

- 8 for R of 4,7 to 9,1 Ω
- 9 for R of 10 to 91 Ω
- 1 for R of 100 to 910 Ω
- 2 for R of 1 to 9,1 k Ω
- 3 for R of 10 to 91 k Ω
- 4 for R of 100 k Ω

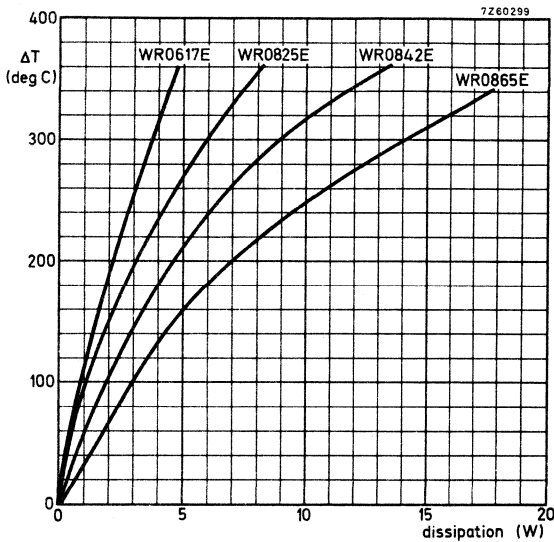
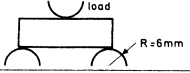


Fig. 2 Temperature rise (ΔT) of the resistor body as a function of the dissipation. Distance between cap and solder joint is 10 mm.

TESTS AND REQUIREMENTS

Essentially all tests are carried out according to the schedule of IEC publications 266 and 266A, category 55/200/56 (rated temperature range $-55\text{ }^{\circ}\text{C}$ to $+200\text{ }^{\circ}\text{C}$; damp heat, long term, 56 days) and along the lines of IEC publication 68, "Recommended basic climatic and mechanical robustness testing procedure for electronic components". In the following table the tests are listed with reference to the relevant clauses of IEC publications 266, 266A and 68; a short description is also given of the test procedure and requirements. In some instances deviations from the IEC recommendation were necessary for our method of specifying.

Table 3

IEC 266 clause	IEC 68 test method	test	procedure	requirements
14		Robustness of resistor body	 load 200 $\pm 10\text{ N}$	no visible damage $\Delta R \leq 0,5\%$ or $0,05\ \Omega$
15	U Ua Ub Uc	Robustness of terminations Tensile all samples Bending half number of samples Torsion other half number of samples	load 10N; 10 s load 5N; 4 x 90° 2 x 180° in opposite directions	no visible damage ΔR max. $0,5\% + 0,05\ \Omega$
16	T	Soldering	solderability: 2 s $230\text{ }^{\circ}\text{C}$, flux 600 thermal shock: 3 s $350\text{ }^{\circ}\text{C}$, 6 mm from body	good tinning, no damage ΔR max. $0,5\% + 0,05\ \Omega$
17	Na	Rapid change of temperature	$\frac{1}{2}\text{ h } -55\text{ }^{\circ}\text{C}/\frac{1}{2}\text{ h } + 200\text{ }^{\circ}\text{C}$, 5 cycles	no visible damage ΔR max. 1%
18	Fc	Vibration	frequency 10-500 Hz, displacement 0,75 mm or acceleration 10g, three directions; total 6 h (3 x 2 h)	no visible damage ΔR max. $0,5\% + 0,05\ \Omega$
19	Eb	Bump	4000 ± 10 bumps 390 m/s^2	no visible damage ΔR max. $0,5\% + 0,05\ \Omega$

IEC 266 clause	IEC 68 test method	test	procedure	requirements
20		Climatic sequence		
20.2	Ba	Dry heat	16 h, 200 °C	
20.3	D	Damp heat (accel) 1st cycle	24 h; 55 °C; 95-100% R.H.	
20.4	Aa	Cold	2 h; -55 °C	
20.5	M	Low air pressure	1 h; 8,5 kPa; 15-35 °C	
20.6	D	Damp heat (accel) remaining cycles	5 days; 55 °C; 95-100% R.H.	after 24 h at P_n ΔR max. 5%
21	Ca	Damp heat steady state	56 days; 40 °C; 90-95% R.H. dissipation $\leq 0,01 P_n$	after 24 h at P_n ΔR max. 1%
22	—	Endurance	1000 h at 70 °C	ΔR max. 5%
23	—		1000 h at 200 °C	ΔR max. 5%
13.6	—	Overload	10 x P_n , 5 s 2 x P_n , 10 min.	ΔR max. 2%

STANDARD PACKAGING

type	number per box
	bandolier
WR0617E	500
WR0825E	500
WR0842E	100
WR0865E	100

Configuration of bandolier

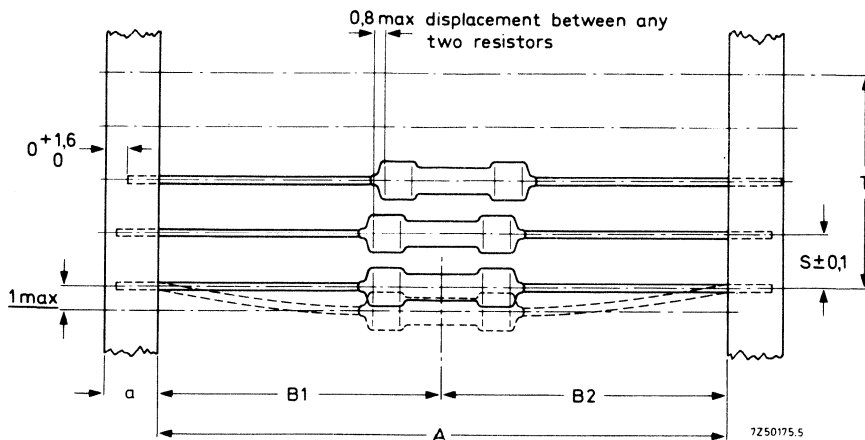


Fig. 3.

type	a $\pm 0,5$	A $\pm 1,6$	B1-B2 $\pm \text{max.}$	S (spacing)	T (max. deviation of spacing)
WR0617E	5	66,7	1,2	10	1 mm per 10 spacings 0,5 mm per 5 spacings
WR0825E	6	74	1,2	10	
WR0842E	6	88	1,2	10	
WR0865E	6	110	1,2	10	

RECTANGULAR WIREWOUND RESISTORS

QUICK REFERENCE DATA

Resistance range	0,15 to 22 kΩ, E24/E12 series	
Resistance tolerance	± 5% or ± 10%	
Max. permissible body temperature (hot spot)	350 °C	
Rated dissipation of T _{amb} = 70 °C	EH04: 4 W; EH05: 5 W; EH07: 7 W; EH09: 9 W; EH17: 17 W	
Basic specification	IEC 266	
Climatic category (IEC 68)	40/200/56	
Stability after		
load	ΔR/R max.	5%
climatic tests	ΔR/R max.	3%
short time overload	ΔR/R max.	2%

APPLICATION

The resistors are for high dissipation in a small volume. The rectangular shape facilitates mounting against a flat surface.

DESCRIPTION

The resistor element is wound in a single layer on a glass fibre rod. Metal caps are pressed over the ends of rod and wire. Tinned copper leads are welded to the caps. The resistor is mounted in a rectangular, sandfilled ceramic case. The ends of the body are impregnated with a protective silicon resin. The resistors are resistant against aggressive solvents.

MECHANICAL DATA

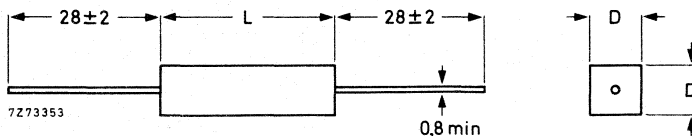


Fig. 1.

Table 1

type	D _{max}	L _{max}
EH04	7,2	20
EH05	7,2	26
EH07	7,2	36
EH09	7,2	46
EH17	10,7	62

Mass (per 100)

EH04: 295 g; EH05: 319 g; EH07: 400 g
EH09: 510 g; EH17: 1400 g

Mounting

The resistors must be mounted in such a way that:

- no stress is exerted on the leads so as to allow thermal expansion over the wide permissible temperature range.
- nearby components and materials are not affected by the dissipated heat.
- the temperature at the soldering spots of the leads does not reach the melting point of the solder.

The temperature rise of the resistor body and of leads of different lengths is given as a function of the dissipation in Fig. 2.

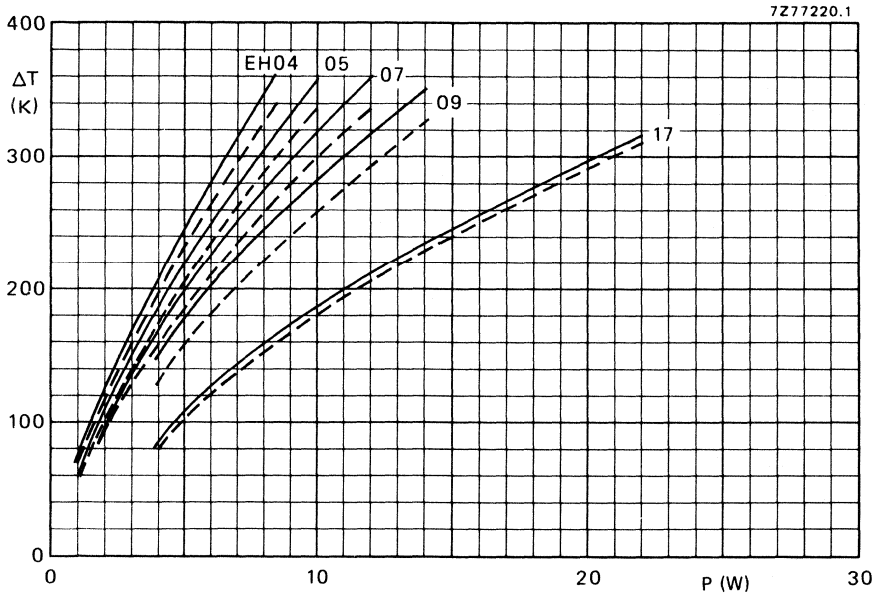


Fig. 2 Hot spot temperature rise (ΔT) as a function of the dissipation (P) at two lead lengths.

- for lead length of 22 mm
- - - - - for lead length of 28 mm

Marking

The nominal resistance (R for Ω , k for $k\Omega$), the tolerance on the resistance and the rated dissipation at $T_{amb} = 70^\circ\text{C}$ are printed on the resistor body, e.g. 27R 5% 9 W.

ELECTRICAL DATA**Standard values of rated resistance**

Standard values of rated resistance (nominal resistance) are taken from the E24 series, tolerance $\pm 5\%$ and E12 series, tolerance $\pm 10\%$, within the range of $0,1 \Omega$ to $22 k\Omega$ as per Table 2. See the table "Standard series of values in a decade" at the back of the Handbook.

Table 2

type	rated dissipation (W) at $T_{amb} = 70^\circ\text{C}$ W	resistance range	tolerance	series	catalogue number
		Ω	%		
EH04	4	0,1 – 8,2	10 *	E12	2306 335 02...
		10 – 3900	5	E24	2306 335 03...
EH05	5	0,15 – 8,2	10 *	E12	2306 330 02...
		10 – 6800	5	E24	2306 330 03...
EH07	7	0,27 – 8,2	10 *	E12	2306 331 02...
		10 – 12000	5	E24	2306 331 03...
EH09	9	0,33 – 8,2	10 *	E12	2306 332 02...
		10 – 15000	5	E24	2306 332 03...
EH17	17	0,47 – 8,2	10 *	E12	2306 333 02...
		10 – 22000	5	E24	2306 333 03...

Breakdown r.m.s. voltage of encapsulation

min. 2000 V

Max. permissible body temperature (hot spot)

350 $^\circ\text{C}$

Ambient temperature range

 -40 to $+200^\circ\text{C}$ Temperature coefficient $0,1 - 5,1 \Omega$ $\leq +600 \cdot 10^{-6}/\text{K}$ $5,6 - 22000 \Omega$ -50 to $+140 \cdot 10^{-6}/\text{K}$

Climatic category (IEC66)

40/200/56

COMPOSITION OF THE CATALOGUE NUMBER

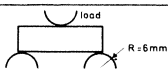
The catalogue number in Table 2 is completed by inserting the resistance code: the first two figures of the resistance followed by:

7 for R = $0,1$ to $0,82 \Omega$ 9 for R = 10 to 91Ω 2 for R = 1 to $9,1 k\Omega$ 8 for R = 1 to $8,2 \Omega$ 1 for R = 100 to 910Ω 3 for R = 10 to $22 k\Omega$ * Tolerance of $\pm 5\%$ on request.

TESTS AND REQUIREMENTS

Essentially all tests are carried out according to the schedule of IEC publications 266 and 266A category 40/200/56 (rated temperature range -40 to $+200$ °C; damp heat, long term, 56 days) and along the lines of IEC publication 68. "Recommended basic climatic and mechanical robustness testing procedure for electronic components". In the following table the tests are listed with reference to the relevant clauses of IEC publications 266, 266A and 68, a short description is also given of the test procedure and requirements. In some instances deviations from the IEC recommendation were necessary for our method of specifying.

Table 3

IEC 266 clause	IEC 68 test method	test	procedure	requirements
14		Robustness of resistor body	 load 200 $\pm 10N$	no visible damage $\Delta R \leq 0,5\% + 0,05 \Omega$
15	U Ua Ub Uc	Robustness of terminations. Tensile all samples. Bending half number of samples Torsion other half number of samples	load 10N; 10 s load 5N; 4 x 90° 2 x 180° in opposite directions	no visible damage $\Delta R \text{ max. } 0,5\% + 0,05 \Omega$
16	T	Soldering	solderability: 2 s 230 °C, flux 600 thermal shock: 3 s 350 °C, 2,5 mm from body	good tinning, no damage $\Delta R \text{ max. } 0,5\% + 0,05 \Omega$
17	Na	Rapid change of temperature	$\frac{1}{2}$ h -40 °C/ $\frac{1}{2}$ h + 200 °C, 5 cycles	no visible damage $\Delta R \text{ max. } 1\%$
18	Fc	Vibration	frequency 10-500 Hz, displacement 0,75 mm or acceleration 10 g three directions; total 6 h (3 x 2 h)	no visible damage $\Delta R \text{ max. } 0,5\% + 0,05 \Omega$
19	Eb	Bump	4000 \pm 10 bumps 390 m/s ²	no visible damage $\Delta R \text{ max. } 0,5\% + 0,05 \Omega$
20 20.2 20.3 20.4 20.5 20.6	Ba D Aa M D	Climatic sequence Dry heat Damp heat (accel.) 1st cycle Cold Low air pressure Damp heat (accel.) remaining cycles	16 h, 200 °C 24 h; 55 °C; 95-100% R.H. 2 h; -40 °C 1 h; 8,5 x Pa; 15-35 °C 5 days; 55 °C; 95-100% R.H.	after 24 h at P _n $\Delta R \text{ max. } 3\%$

IEC 266 clause	IEC 68 test method	test	procedure	requirements
21	Ca	Damp heat steady state	56 days; 40 °C; 90-95% R.H. dissipation: $\leq 0,01 P_n$	ΔR max. 3%
22	—	Endurance	1000 h at 70 °C	ΔR max. 5%
23	—		1000 h at 200 °C	ΔR max. 5%
13.6		Overload	$10 \times P_n$, 5 s	ΔR max. 2%

CHIP — RC

RESISTOR CHIP

QUICK REFERENCE DATA

Resistance range	1 Ω to 10 M Ω and jumper (0 Ω)	
Resistance tolerance	E24	←
Temperature coefficient	$\pm 2, \pm 5\%$	←
Abs. max. dissipation at $T_{amb} = 70\text{ }^{\circ}\text{C}$	$< \pm 200 \cdot 10^{-6}/\text{K}$	
Maximum permissible voltage	0,25 W	
Climatic category (IEC 68)	200 V (r.m.s.)	
Basic specification	55/155/56	
Stability after:	IEC 115-1	
load, 1000 h at $T_{amb} = 70\text{ }^{\circ}\text{C}$	$\Delta R/R$ max. 1,5% + 0,2 Ω	
climatic tests	$\Delta R/R$ max. 1,5% + 0,2 Ω	
soldering	$\Delta R/R$ max. 1% + 0,05 Ω	
short time overload, max. 400 V	$\Delta R/R$ max. 2% + 0,2 Ω	

APPLICATION

Resistor chips are used in a wide scale of equipment. Important considerations for using chip resistors are:

- decrease of size and mass of equipment
- reduction of assembly costs of equipment
- specific electrical requirements (such as h.f. characteristics).

The main application areas for resistor chips are:

TV (tuner), radio (hi-fi slim-line and portable), radio recorders, watches, video cameras, shavers, pocket calculators, instruments, telecommunication, medical equipment, military equipment and automotive industry.

DESCRIPTION

On a high grade ceramic body (aluminium oxide) a metal glaze layer is screened. Depending on the composition of the metal glaze different resistance values can be obtained. On both ends a contact is made in such a way that optimum solderability is guaranteed. This is achieved by applying three layers. The resistive layer is covered with a protective coat.

MECHANICAL DATA

Outlines

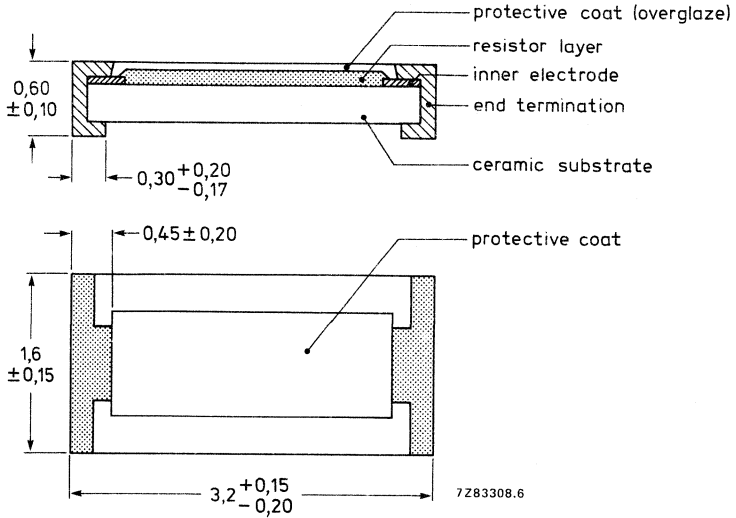


Fig. 1.

Mass (per 100): 1,0 g

Mounting

This resistor chip is most suitable to be handled by automatic chip placement systems, due to its rectangular shape and the small tolerances on the dimensions. Chip placement can be done on ceramic substrates and printed circuit boards. The electrical connection to the circuit can be made by wave-soldering or reflow soldering. The electrodes guarantee a reliable contact. The protective coatings enable "face-down" mounting. Thanks to its robust construction the resistor chip can be immersed completely in a solder bath of 255 °C for one minute. By doing so it is possible to mount chip resistors on one side of a printed circuit board and other discrete components on the other side.

Marking

The marking is done on the packing and includes resistance value, tolerance, code number, style, quantity, production period and an origin source code.

Soldering conditions

RC-01 resistors are tested for solderability at 230 during 2 s. The test condition for no-leaching is 255 °C for 60 s. Typical examples of soldering processes that result into reliable joints without any damage are given in Figs 2, 3 and 4.

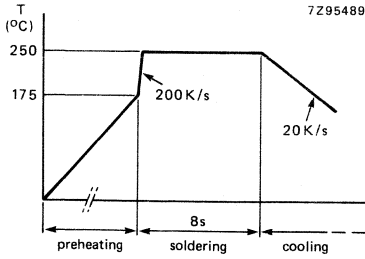


Fig. 2 Reflow soldering.

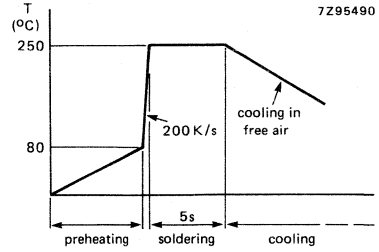


Fig. 3 Wave soldering. The resistors may be soldered twice according to this method if necessary.

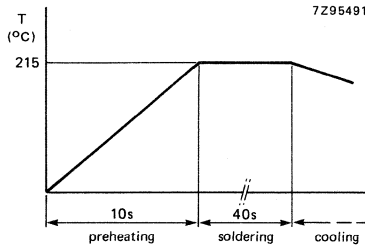


Fig. 4 Vapour phase soldering.

ELECTRICAL DATA

Standard values of resistance and tolerance

Standard values of nominal resistance are taken from the E24 series for resistors with a tolerance of $\pm 5\%$ and $\pm 2\%$. The values of these series are given at the back of the Data Handbook and are according to IEC publication 63.

The limiting voltage (r.m.s.) for element and insulation is the maximum voltage that may be applied continuously to the resistor element or the insulation. See IEC publications 115-1 and 115-2. This voltage is 200 V.

The temperature coefficient is $< \pm 200 \cdot 10^{-6}/K$.

Table 1

resistance range	tol. $\pm\%$	series	catalogue number 2322 followed by				
			cardboard tape		blister tape		bulk
			4000	10 000	4000	10 000	1000
10 Ω to 1 M Ω	2	E24	—	—	712 20 ...	—	—
1 Ω to 10 M Ω	5	E24	711 20 ...	711 50 ...	712 30 ...	712 70 ...	715 50 ...

The jumper has a maximum resistance $R_{max} = 50 \text{ m}\Omega$ at a rated current $I_r = 2 \text{ A}$. They are supplied 4000 on reel, catalogue number 2322 711 90001 (cardboard tape) and 2322 711 90003 (blister tape) or 1000 per bag, catalogue number 2322 715 90004.

COMPOSITION OF THE CATALOGUE NUMBER

In the above-mentioned catalogue number, replace the first two dots by the first two digits of the resistance value. Replace the third dot by a figure according to the following table:

1 to 9,1 Ω : 8	10 to 91 k Ω : 3
10 to 91 Ω : 9	100 to 910 k Ω : 4
100 to 910 Ω : 1	1 to 9,1 M Ω : 5
1 to 9,1 k Ω : 2	10 M Ω : 6

TESTS AND REQUIREMENTS

Essentially all tests are carried out according to the schedule of IEC publication 115-1. This means: rated temperature range -55 to $+155$ °C; damp heat (long term) 56 days (see IEC publication 115-2 clause 4.1). The tests are carried out along the lines of IEC publication 68, "Recommended basic climatic and mechanical robustness testing procedure for electronic components".

In Table 2 the tests and requirements are listed with reference to the relevant clauses of IEC publications 115-1 and 68: a short description of the test procedure is also given. In some instances deviations from the IEC recommendations were necessary for our method of specifying.

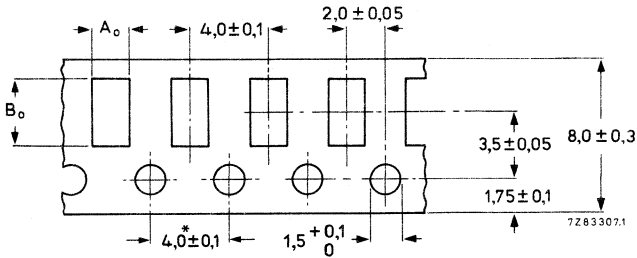
Table 2

IEC 115-1 clause	IEC 68 test method	test	procedure	requirements
4.17	Ta	Soldering	unmounted chips completely immersed for $2 \pm 0,5$ s in a solder bath of 230 ± 10 °C; flux 600	good tinning no damage
4.18	Tb	Resistance to soldering heat	10 s; 260 °C flux 600	ΔR max. 1% $+ 0,05 \Omega$
4.19	Na	Rapid change of temp.	$\frac{1}{2}$ h -55 °C/ $\frac{1}{2}$ h $+155$ °C 5 cycles	ΔR max. 1,5% $+ 0,2 \Omega$
4.22	Fc	Vibration	frequency: 10-500 Hz; displacement 1,5 mm or acceleration 10g, three directions; total 6 h	no damage ΔR max. 0,5% $+ 0,05 \Omega$
4.20	Eb	Bump	3 x 1500 bumps in three directions; 40g	no damage, ΔR max. 0,5% $+ 0,05 \Omega$
4.23 4.23.2 4.23.3 4.23.4 4.23.5 4.23.6	Ba D Aa M D	Climatic sequence Dry heat Damp heat (accel.) 1st cycle Cold Low air pressure Damp heat (accel.) re- maining cycles	16 h; 155 °C 24 h; 55 °C; 95-100% R.H. 2 h; -55 °C 1 h; 8,5 kPa; 15-35 °C 5 days; 55 °C; 95-100% R.H.	R_{ins} = min. 1000 M Ω ΔR max. 1,5% $+ 0,2 \Omega$
4.24.2	Ca	Damp heat (steady state)	56 days; 40 °C; 90-95% R.H. dissipation $\leq 2,5$ mW	R_{ins} min. 1000 M Ω ΔR max. 1,5% $+ 0,2 \Omega$
4.25.1	—	Endurance	1000 h; 70 °C; nominal dissipation	ΔR max. 1,5% $+ 0,2 \Omega$

IEC 115-1 clause	IEC 68 test method	test	procedure	requirements
4.6.1.1	—	Insulation resistance	—	min. $10^4 \text{ M}\Omega$
4.13	—	Short time overload	room temp. dissipation $6,25 \times 0,25 \text{ W}$ (voltage not more than 2 x limiting voltage) 10 cycles 5 s on, 45 s off	ΔR max. $2\% + 0,2 \Omega$
→ 4.8.4.2	—	Temperature coefficient	between $-55 \text{ }^\circ\text{C}$ and $+155 \text{ }^\circ\text{C}$	$\leq \pm 200 \cdot 10^{-6}/\text{K}$
4.12	—	Noise	IEC publication 195	$R \leq 1 \text{ k}\Omega$: max. $1 \mu\text{V}/\text{V}$ $R \leq 10 \text{ k}\Omega$: max. $3 \mu\text{V}/\text{V}$ $R \leq 100 \text{ k}\Omega$: max. $6 \mu\text{V}/\text{V}$ $R \leq 2 \text{ M}\Omega$: max. $10 \mu\text{V}/\text{V}$
→ 4.23.2	Ba	Dry heat	500 h, $155 \text{ }^\circ\text{C}$ no load	ΔR max. $\leq 1,5\% + 0,2 \Omega$ no visual damage
4.7	—	Voltage proof on insulation	200 V (r.m.s.) during 1 minute	no breakdown

STANDARD PACKAGING

1. Cardboard tape, on reel; quantity 4000 per reel; reel diameter 180 mm (see Figs 4, 6).
2. Cardboard tape, on reel; quantity 10 000 per reel; reel diameter 250 mm (see Figs 4, 6).
3. Blister tape, on reel; quantity 4000 per reel; reel diameter 180 mm (see Figs 5, 6).
4. Blister tape, on reel; quantity 10 000 per reel; reel diameter 250 mm (see Figs 5, 6).
5. Bulk, in bag, quantity 1000.



$A_0 = 1,85 + 0,20$
 $B_0 = 3,45 + 0,20$

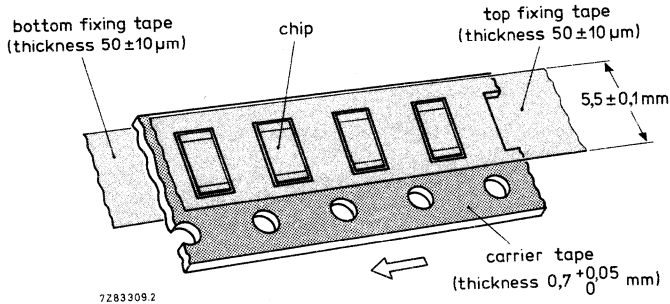


Fig. 5 Cardboard tape.

* Cumulative tolerance over 10 holes: $\pm 0,2$ mm.

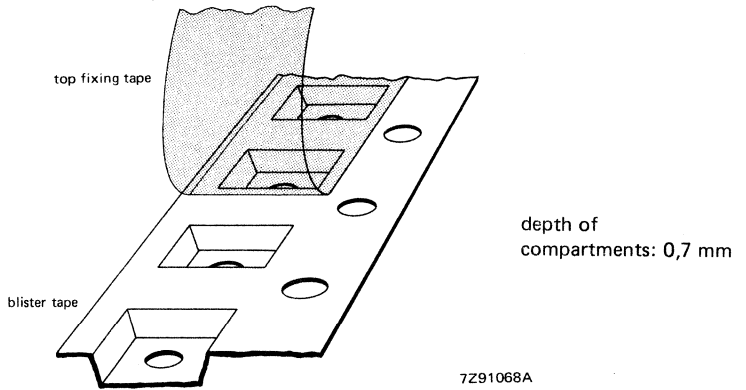
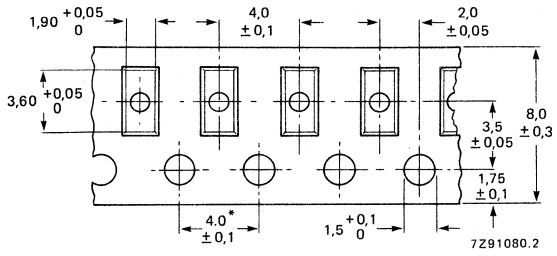


Fig. 6 Blister tape.

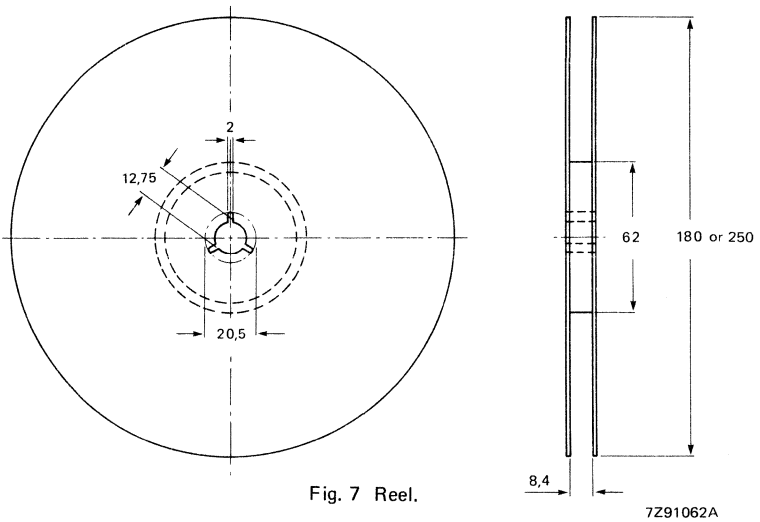


Fig. 7 Reel.

* Cumulative tolerance over 10 holes: $\pm 0,2$ mm.

INDEX

INDEX OF CATALOGUE NUMBERS

catalogue number	page	catalogue number	page
2306 300	153	2322 166	93
301	153	167	93
302	153	168	93
330	167	169	93
331	167	170	93
332	167	171	93
333	167	180	32
335	167	181	39
		183	39
2322 141	100	184	39
142	100	186	46
143	100	191	125
144	100	192	131
151	83	205	52
152	83	206	52
153	83	211	22
154	83	241	109
156	66, 72	242	116
157	60, 72	244	116
160	93	329	146
161	93	330	160
162	93	711	176
163	93	712	176
164	93	715	176
165	93		

STANDARD SERIES OF VALUES IN A DECADE for resistances and capacitances

according to IEC publication 63

E192	E96	E48	E192	E96	E48	E192	E96	E48	E192	E96	E48	E192	E96	E48	
100	100	100	169	169	169	287	287	287	487	487	487	825	825	825	
101			172			291			493			835			
102	102		174	174		294	294		499	499		845	845		
104			176			298			505			856			
105	105	105	178	178	178	301	301	301	511	511	511	866	866	866	
106			180			305			517			876			
107	107		182	182		309	309		523	523		887	887		
109			184			312			530			898			
110	110	110	187	187	187	316	316	316	536	536	536	909	909	909	
111			189			320			542			920			
113	113		191	191		324	324		549	549		931	931		
114			193			328			556			942			
115	115	115	196	196	196	332	332	332	562	562	562	953	953	953	
117			198			336			569			965			
118	118		200	200		340	340		576	576		976	976		
120			203			344			583			988			
121	121	121	205	205	205	348	348	348	590	590	590				
123			208			352			597						
124	124		210	210		357	357		604	604		E24	E12	E6	E3
126			213			361			612						
127	127	127	215	215	215	365	365	365	619	619	619	10	10	10	10
129			218			370			626			11			
130	130		221	221		374	374		634	634		12	12		
132			223			379			642			13			
133	133	133	226	226	226	383	383	383	649	649	649	15	15	15	
135			229			388			657			16			
137	137		232	232		392	392		665	665		18	18		
138			234			397			673			20			
140	140	140	237	237	237	402	402	402	681	681	681	22	22	22	22
142			240			407			690			24			
143	143		243	243		412	412		698	698		27	27		
145			246			417			706			30			
147	147	147	249	249	249	422	422	422	715	715	715	33	33	33	
149			252			427			723			36			
150	150		255	255		432	432		732	732		39	39		
152			258			437			741			43			
154	154	154	261	261	261	442	442	442	750	750	750	47	47	47	47
156			264			448			759			51			
158	158		267	267		453	453		768	768		56	56		
160			271			459			777			62			
162	162	162	274	274	274	464	464	464	787	787	787	68	68	68	
164			277			470			796			75			
165	165		280	280		475	475		806	806		82	82		
167			284			481			816			91			

Argentina: PHILIPS ARGENTINA S.A., Div. Elcoma, Vedia 3892, 1430 BUENOS AIRES, Tel. 541-7141/7242/7343/7444/7545.

Australia: PHILIPS INDUSTRIES HOLDINGS LTD., Elcoma Division, 11 Waltham Street, ARTARMON, N.S.W. 2064, Tel. (02)439 3322.

Austria: ÖSTERREICHISCHE PHILIPS BAUELEMENTE INDUSTRIE G.m.b.H., Triester Str. 64, A-1101 WIEN, Tel. 6291 11.

Belgium: N.V. PHILIPS & MBLE ASSOCIATED, 9 rue du Pavillon, B-1030 BRUXELLES, Tel. (02) 242 74 00.

Brazil: IBRAPE, Caixa Postal 7383, Av. Brigadeiro Faria Lima, 1735 SAO PAULO, SP, Tel. (011) 211-2600.

Canada: PHILIPS ELECTRONICS LTD., Elcoma Division, 601 Milner Ave., SCARBOROUGH, Ontario, M1B 1M8, Tel. 292-5161.

Chile: PHILIPS CHILENA S.A., Av. Santa Maria 0760, SANTIAGO, Tel. 39-4001.

Colombia: IND. PHILIPS DE COLOMBIA S.A., c/o IPRELENZO LTD., Cra. 21, No. 56-17, BOGOTA, D.E., Tel. 2 49 76 24.

Denmark: MINIWATT A/S, Strandlodsvej 2, P.O. Box 1919, DK 2300 COPENHAGEN S, Tel. (01) 51 11 33.

Finland: OY PHILIPS AB, Elcoma Division, Kaivokatu 8, SF-00100 HELSINKI 10, Tel. 1 72 71.

France: R.T.C. LA RADIOTECHNIQUE-COMPELEC, 130 Avenue Ledru Rollin, F-75540 PARIS 11, Tel. 338 80-00.

Germany (Fed. Republic): VALVO, UB Bauelemente der Philips G.m.b.H., Valvo Haus, Burchardstrasse 19, D-2 HAMBURG 1, Tel. (040) 3296-0.

Greece: PHILIPS S.A. HELLENIQUE, Elcoma Division, 52, Av. Syngrou, ATHENS, Tel. 9215111.

Hong Kong: PHILIPS HONG KONG LTD., Elcoma Div., 15/F Philips Ind. Bldg., 24-28 Kung Yip St., KWAI CHUNG, Tel. (0)-2451 21.

India: PEICO ELECTRONICS & ELECTRICALS LTD., Elcoma Dept., Band Box Building, 254-D Dr. Annie Besant Rd., BOMBAY - 400 025, Tel. 4220387/4220311.

Indonesia: P.T. PHILIPS-RALIN ELECTRONICS, Elcoma Div., Setiabudi II Building, 6th Fl., Jalan H.R. Rasuna Said (P.O. Box 223/KBY) Kuningan, JAKARTA - Selatan, Tel. 512 57 2.

Ireland: PHILIPS ELECTRICAL (IRELAND) LTD., Newstead, Clonskeagh, DUBLIN 14, Tel. 69 33 55.

Italy: PHILIPS S.p.A., Sezione Elcoma, Piazza IV Novembre 3, I-20124 MILANO, Tel. 2-6752 1.

Japan: NIHON PHILIPS CORP., Shuwa Shinagawa Bldg., 26-33 Takanawa 3-chome, Minato-ku, TOKYO (108), Tel. 448-5611. (IC Products) SIGNETICS JAPAN LTD., 8-7 Sanbancho Chiyoda-ku, TOKYO 102, Tel. (03) 230-1521.

Korea (Republic of): PHILIPS ELECTRONICS (KOREA) LTD., Elcoma Div., Philips House, 260-199 Itaewon-dong, Yongsan-ku, SEOUL, Tel. 794-5011.

Malaysia: PHILIPS MALAYSIA SDN. BERHAD, No. 4 Persiaran Barat, Petaling Jaya, P.O.B. 2163, KUALA LUMPUR, Selangor, Tel. 77 44 11.

Mexico: ELECTRONICA, S.A de C.V., Carr. México-Toluca km. 62.5, TOLUCA, Edo. de México 50140, Tel. Toluca 91 (721) 613-00.

Netherlands: PHILIPS NEDERLAND, Marktgroep Elonco, Postbus 90050, 5600 PB EINDHOVEN, Tel. (040) 7933 33.

New Zealand: PHILIPS NEW ZEALAND LTD., Elcoma Division, 110 Mt. Eden Road, C.P.O. Box 1041, AUCKLAND, Tel. 605-914.

Norway: NORSK A/S PHILIPS, Electronica Dept., Sandstuveien 70, OSLO 6, Tel. 68 02 00.

Peru: CADESA, Av. Alfonso Ugarte 1268, LIMA 5, Tel. 326070.

Philippines: PHILIPS INDUSTRIAL DEV. INC., 2246 Pasong Tamo, P.O. Box 911, Makati Comm. Centre, MAKATI-RIZAL 3116, Tel. 86-89-51 to 59.

Portugal: PHILIPS PORTUGUESA S.A.R.L., Av. Eng. Duarte Pacheco 6, 1009 LISBOA Codex, Tel. 68 31 21.

Singapore: PHILIPS PROJECT DEV. (Singapore) PTE LTD., Elcoma Div., Lorong 1, Toa Payoh, SINGAPORE 1231, Tel. 35 02 000.

South Africa: EDAC (PTY.) LTD., 3rd Floor Rainer House, Upper Railway Rd. & Ove St., New Doornfontein, JOHANNESBURG 2001, Tel. 614-2362/9.

Spain: MINIWATT S.A., Balmes 22, BARCELONA 7, Tel. 301 63 12.

Sweden: PHILIPS KOMPONENTER A.B., Lidingsvägen 50, S-11584 STOCKHOLM 27, Tel. 08/7821000.

Switzerland: PHILIPS A.G., Elcoma Dept., Allmendstrasse 140-142, CH-8027 ZÜRICH, Tel. 01-488 22 11.

Taiwan: PHILIPS TAIWAN LTD., 150 Tun Hua North Road, P.O. Box 22978, TAIPEI, Taiwan, Tel. 71 205000.

Thailand: PHILIPS ELECTRICAL CO. OF THAILAND LTD., 283 Siom Road, P.O. Box 961, BANGKOK, Tel. 233-6330-9.

Turkey: TÜRK PHILIPS TICARET A.S., Elcoma Department, İnönü Cad. No. 78-80, P.K. 504, 80074 ISTANBUL, Tel. 4359 10.

United Kingdom: MULLARD LTD., Mullard House, Torrington Place, LONDON WC1E 7HD, Tel. 01-5806633.

United States: (Active Devices & Materials) AMPEREX SALES CORP., Providence Pike, SLATERSVILLE, R.I. 02876, Tel. (401) 762-9000. (Passive Devices) MEPCO/ELECTRA INC., Columbia Rd., MORRISTOWN, N.J. 07960, Tel. (201) 539-2000. (Passive Devices & Electromechanical Devices) CENTRALAB INC., 5855 N. Glen Park Rd., MILWAUKEE, WI 53201, Tel. (414)228-7380. (IC Products) SIGNETICS CORPORATION, 811 East Arques Avenue, SUNNYVALE, California 94086, Tel. (408) 991-2000.

Uruguay: LUZIELECTRON S.A., Avda Uruguay 1287, P.O. Box 907, MONTEVIDEO, Tel. 91 43 21.

Venezuela: IND. VENEZOLANAS PHILIPS S.A., c/o MAGNETICA S.A., Calle 6, Ed. Las Tres Jotas, App. Post. 78117, CARACAS, Tel. (02) 239 39 31.

For all other countries apply to: Philips Electronic Components and Materials Division, International Business Relations, Building BAE, P.O. Box 218, 5600 MD EINDHOVEN, The Netherlands, Tel. +31 40 72 33 04, Telex 35000 phctnl